

LEGEND

- C 4 1 MFD.
- C 5 .022 MFD.
- C 6 .022 MFD.
- C 7 .02 MFD.
- D 1 12.5 AMP
- D 4 1 AMP.
- D 5 3 AMP.
- D 6 3 AMP.
- D 7 1 AMP.
- D 8 3 AMP.
- D 9 3 AMP.
- D 10 3 AMP.
- D 11 3 AMP.
- DZ 1 27 V.
- F 2 10 AMP

- R 4 22 Ω
- R 5 4.7 KΩ
- R 6 100 Ω
- R 7 50 Ω
- R 8 3.0 KΩ
- R 9 3.0 KΩ
- R 10 10 KΩ
- R 11 1.5 KΩ
- R 12 10 KΩ POT
- R 13 3.0 Ω 25W
- R 14 4.8 Ω 10 W
- R 16 10 KΩ
- R 17 2.2 KΩ **
- R 18 10 Ω

- SW 1 VOLTAGE CONTROL SWITCH
- SW 2 POWER ON-OFF SWITCH
- SW 3 CONTROL CIRCUIT SWITCH
- T 1 MAIN TRANSFORMER
- T 2 AUX. TRANSFORMER
- MA 1 } MAG-AMP. TRANSFORMERS
- MA 2 }
- MA 3 }
- ICR INPUT CONTACTOR S-67
- 2CR PILOT RELAY

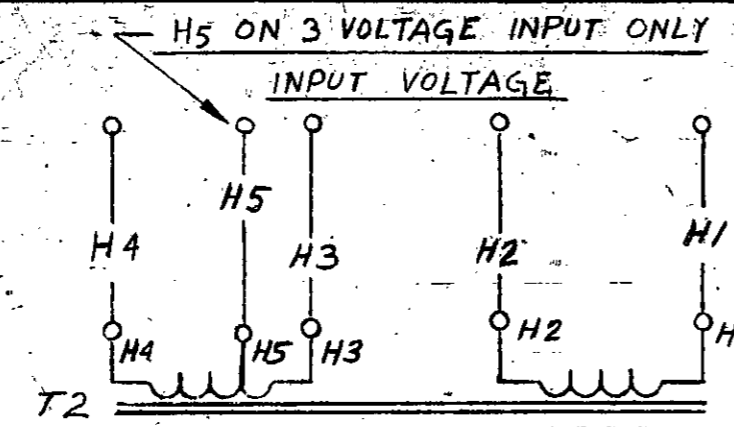
RECT. 1 MAIN POWER RECT.

- Q 1 2N5819
- Q 2 2N5815

L 1 CHOKE

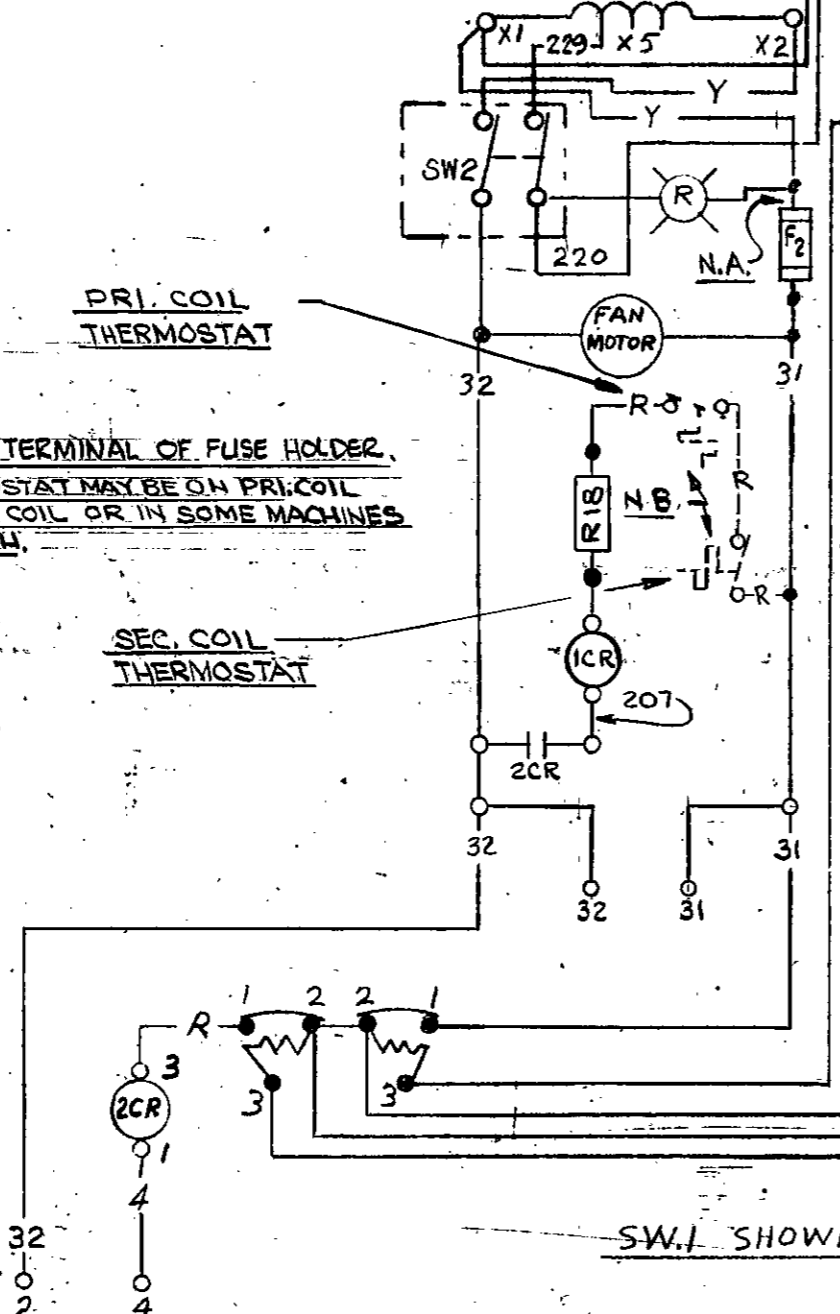
** - NOT ON EARLIER MACHINES

AUSTRALIA 7-78 CANADA 9-80 FRANCE 5-78 JAPAN



N.A. CENTER TERMINAL OF FUSE HOLDER.
 N.B. THERMOSTAT MAY BE ON PRI. COIL OR SEC. COIL OR IN SOME MACHINES ON BOTH.

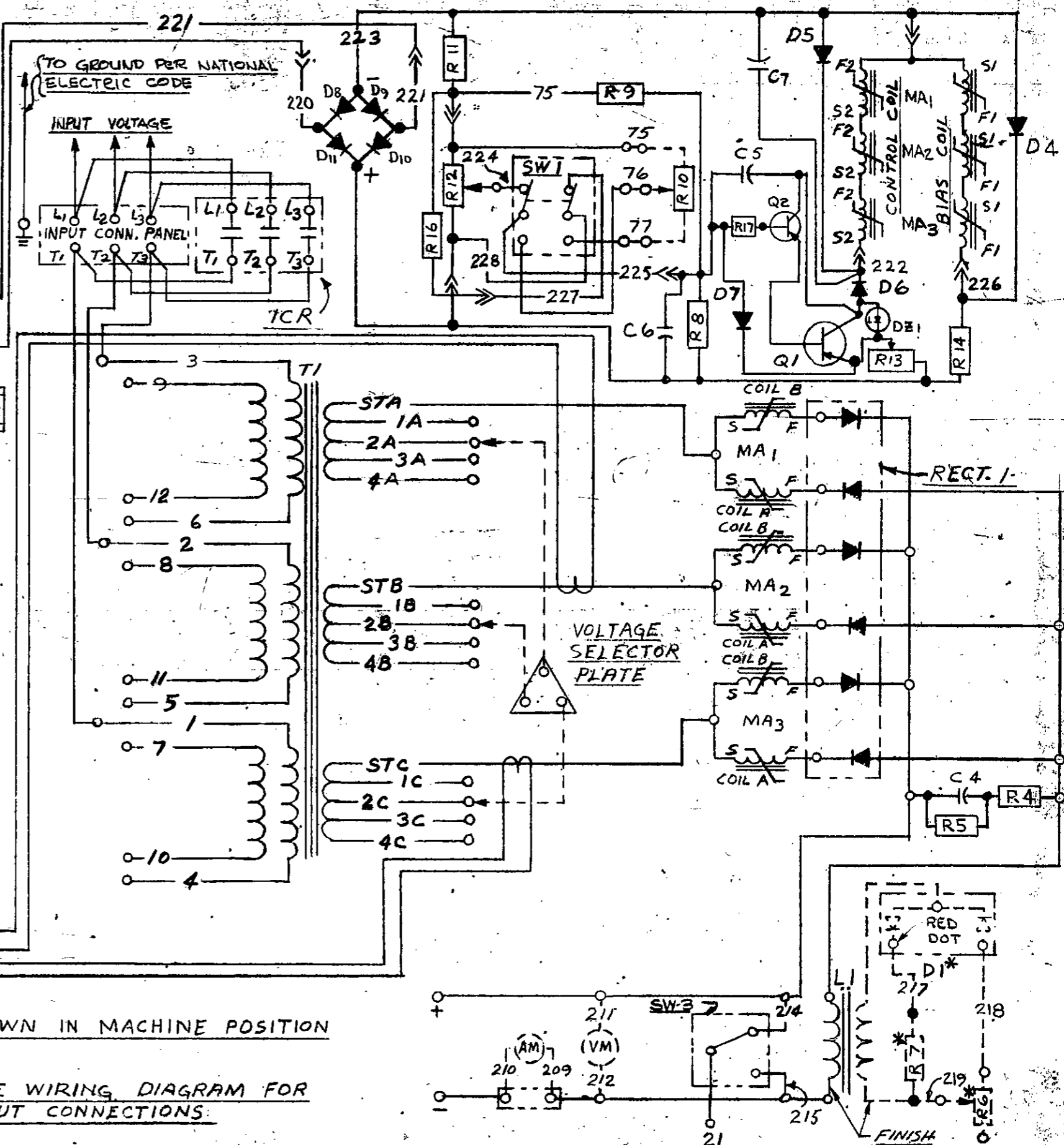
SEC. COIL THERMOSTAT



LEAD COLOR CODE
 G - GREEN
 Y - YELLOW
 R - RED

NOTE SEE WIRING DIAGRAM FOR INPUT CONNECTIONS.

* USED ON UNITS WITH ARC CONTROL OPTION ONLY.



ANSI ELECTRICAL SYMBOLS PER E-1537

UNLESS OTHERWISE SPECIFIED TOLERANCE
 ON 2 PLACE DECIMALS IS ± .02
 ON 3 PLACE DECIMALS IS ± .002
 ON ALL ANGLES IS ± 3 OF A DEGREE
 MATERIAL TOLERANCE (**) TO AGREE
 WITH PUBLISHED STANDARDS

THE LINCOLN ELECTRIC CO.
 CLEVELAND, OHIO U.S.A.

DATE 4-3-78 SCALE

| | |
|----------|---------|
| 4-21-78 | 7/8-80K |
| 12-15-78 | 5-8-81D |
| 12-21-78 | |
| 11/2/78 | |
| 3/2/78 | |
| 5/11/78 | |

TYPE IDEALARC R35-400 \$600

SUBJECT SCHEMATIC DIAGRAM

SUPP'D DRG (M-13507) DR GWR:GCH SHEET NO M-13753