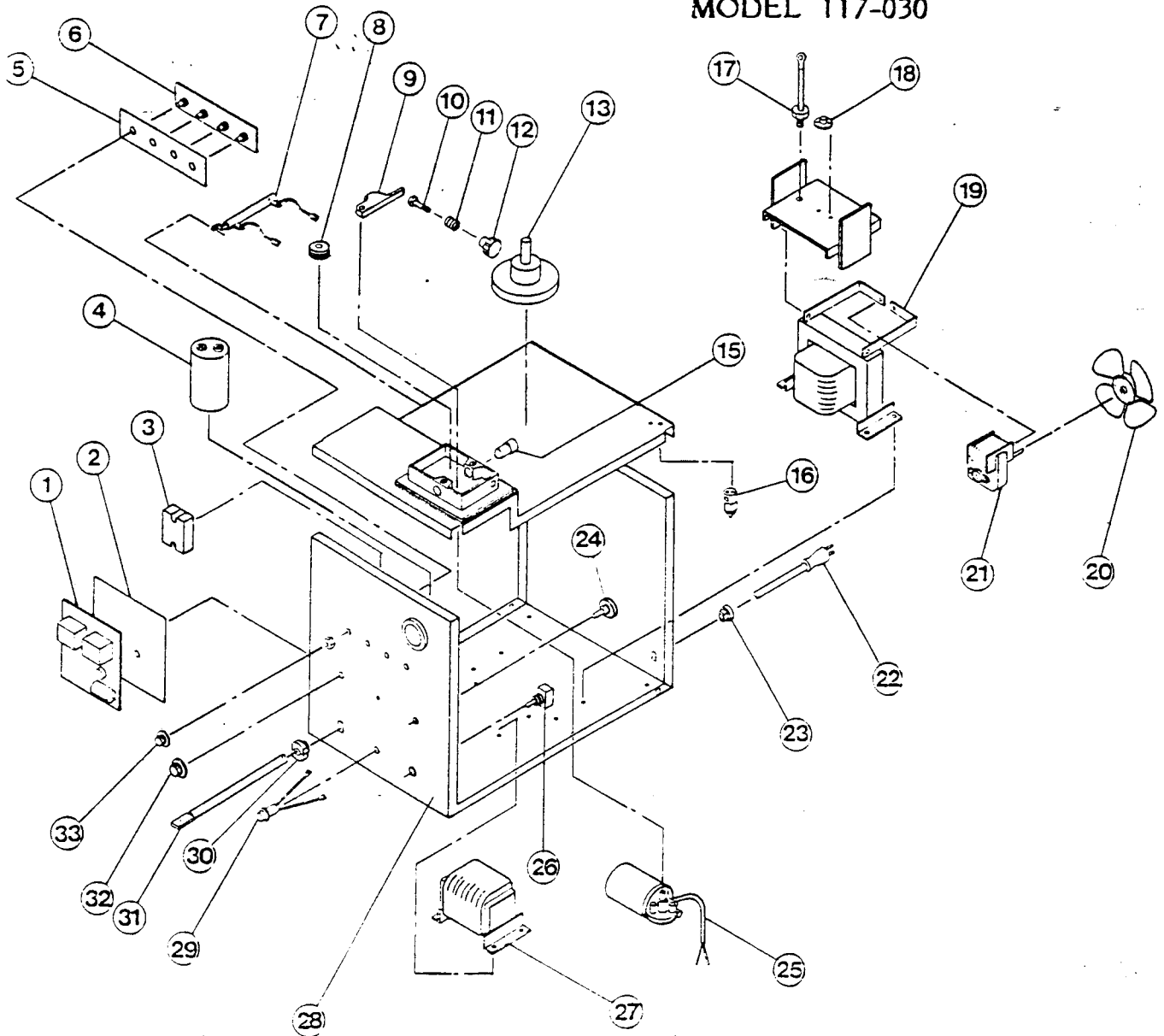


117-030, WFWM, WS120

REPLACEMENT PARTS LIST 120 VOLT MIG WELDER MODEL 117-030



117-030, WFWM, WS120

Item	Lincoln Stock #	Customer #	Description
1	Repair	860-573-000	Circuit board w/ potentiometer
2		541-084-000	Insulation
3	216-055-666	216-055-666	Triac Relay, 40 amp
4	213-018-666	213-018-200	Capacitor, 45,000mf, 45Vdc
5		512-040-000	Insulation
6	860-489-666	860-489-666	Spot board
7		860-523-000	Resistor assy., 25Ω, 50 watt
8	310-122-500	4323	Drive roller, 0.024 / 0.030 / 0.035 for steel
	860-616-002	4324	Drive roller for aluminum
9		310-123-000	Tension bar w/bearing
10		246-114-000	Stud w/groove
11		330-025-000	Spring
12		246-160-000	Tension knob
13	312-110-666	541-083-000	Spindle adapter
14		541-066-000	Nylon washer
15		410-325-000	Inlet guide tube
16	246-086-666	246-086-666	Gas solenoid, 18-24Vdc
17	860-476-666	860-476-666	Diode assy.
18	216-053-666	216-053-666	Thermostat
19		860-799-888	Main weld transformer

Item	Lincoln Stock #	Customer #	Description
20		316-009-100	Fan blade
21	216-087-666	216-070-000	Fan motor
22		248-182-000	Power cord
23		541-020-000	Strain relief
24		246-104-000	5 position heat switch
25	216-079-666	860-581-100	Drive motor, 24Vdc
26		216-044-100	Power Switch, 230Vac, 40 amp
27		860-572-888	Reactor coil
28		711-153-020	Faceplate
29		245-085-000	Indicator light
30		541-057-000	Strain relief
31		238-116-000	Ground Cable
32	246-041-666	246-140-000	Knob, 1.5"
		246-107-000	
33		246-139-000	Knob, 1 3/16"

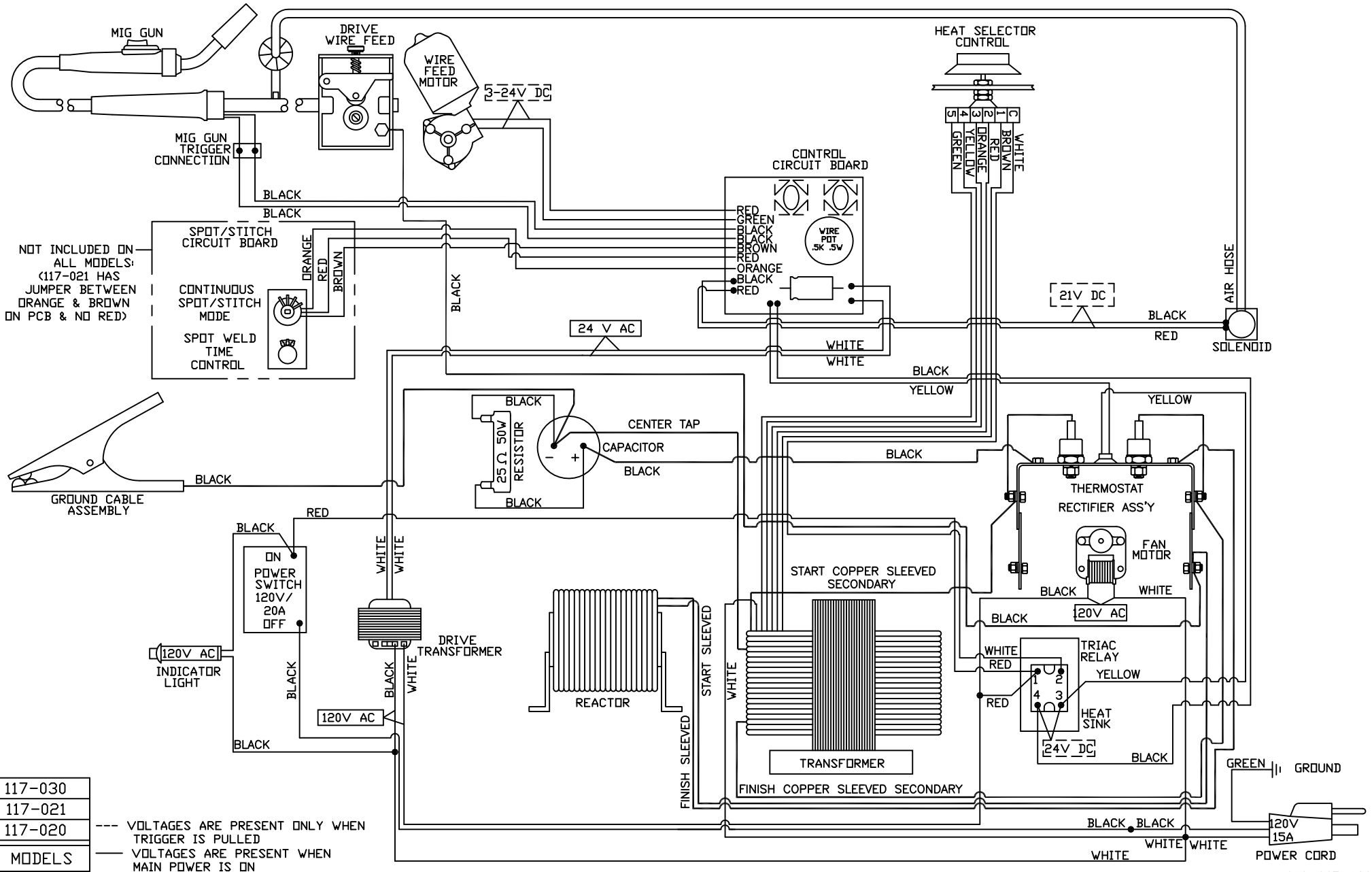
Not Shown

34	238-155-000	4320	Mig gun assembly, 10'
35	334-303-001	334-286-666	Gas regulator
36	059-245-666		Gas hose
37		880-070-888	Control Transformer

1/24/2007

Model	Primary Input	Input Plug	Duty Cycle at Rated Output
117-030	120V, 15A	15A	20%

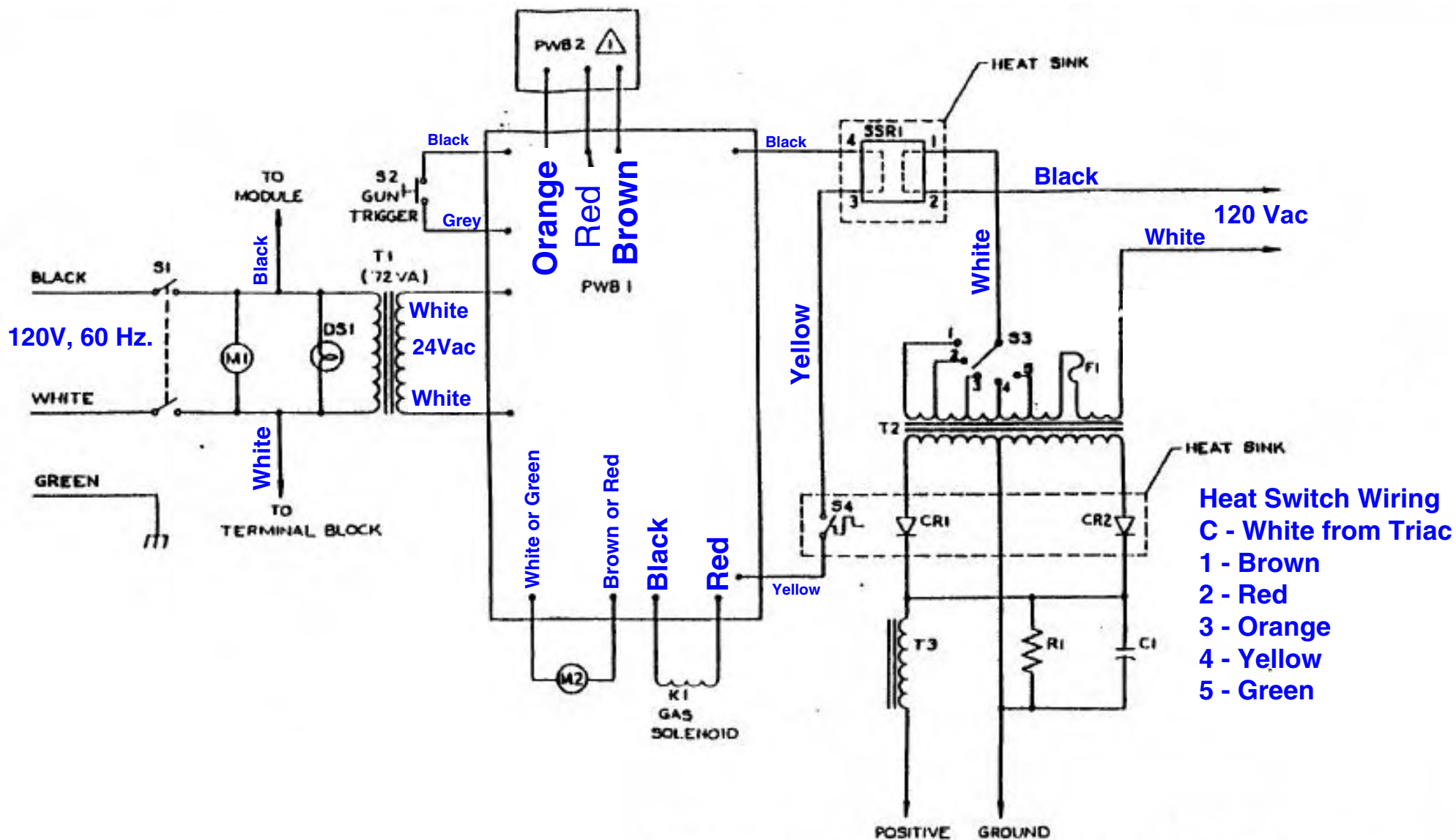
Rated Output	Voltage Settings	Agency Listing	Max Output
90 amps	5	None	90 amps



117-030
117-021
117-020
MODELS

--- VOLTAGES ARE PRESENT ONLY WHEN TRIGGER IS PULLED
 — VOLTAGES ARE PRESENT WHEN MAIN POWER IS ON

117-030, WFWM, WS120



117-030, WFWM, WS120

Symbol	Description	Symbol	Description
C1	Capacitor, 45,000 mf, 45v	S1	DPST Main Power Switch
CR1	Diode	S2	Gun Trigger
CR2	Diode	S3	5 Position Heat Switch
DS1	220V Neon Light	S4	Thermal Breaker 175 deg. F
F1	Thermal Fuse, 240 deg. C	SSR1	Triac Relay (D2440)
K1	Gas Solenoid	T1	Control Transformer
M1	Fan Motor	T2	Main Weld Transformer
M2	Wire Feed Drive Motor	T3	Reactor Coil
PWB1	Main Circuit Board	PWB2	Spot - Stitch Board
R1	Resistor, 25 Ohm, 50 Watt		