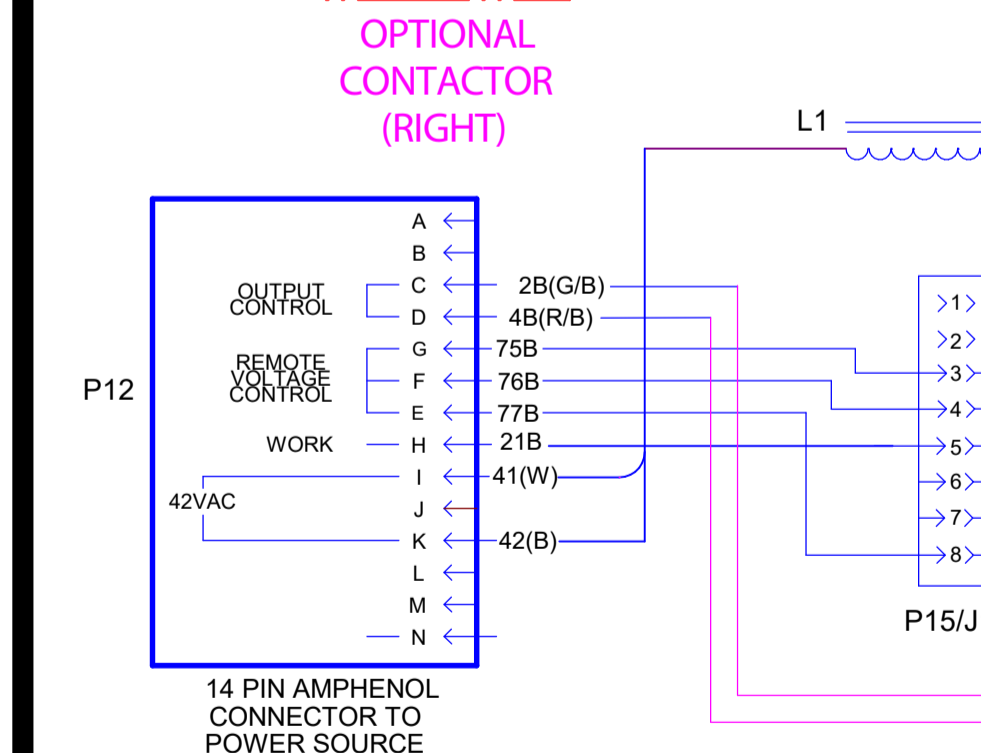
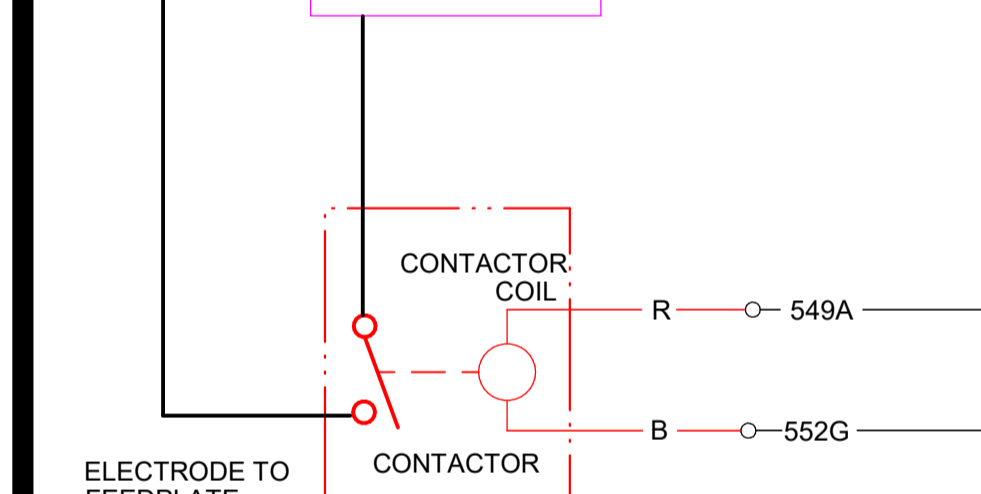
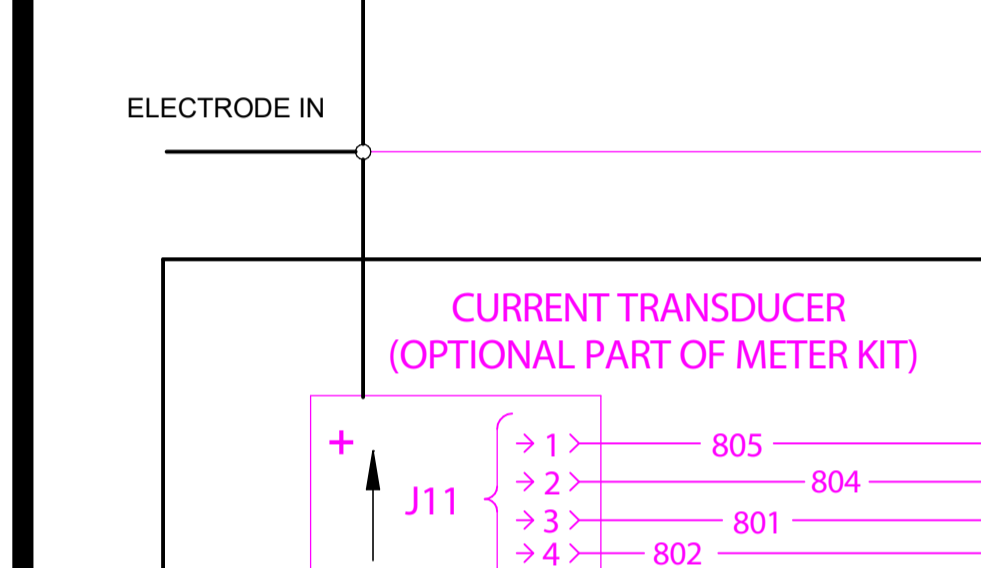
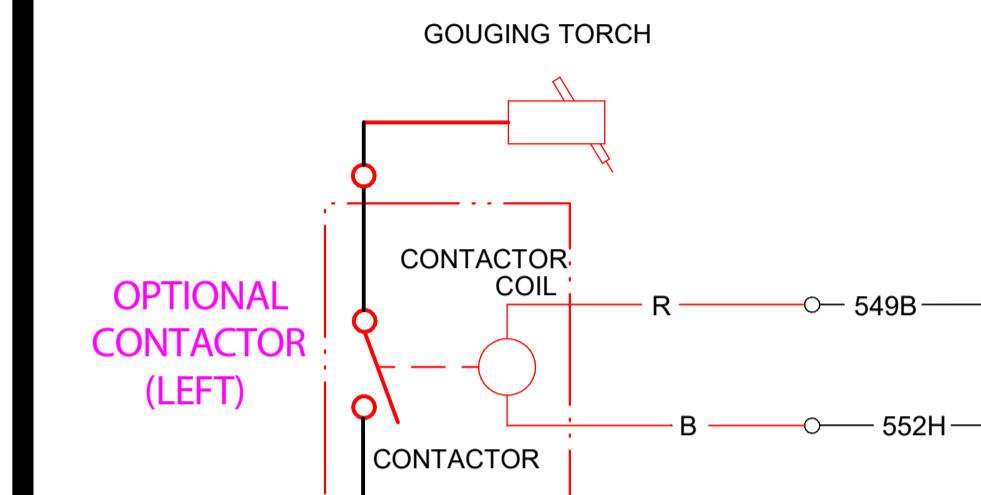
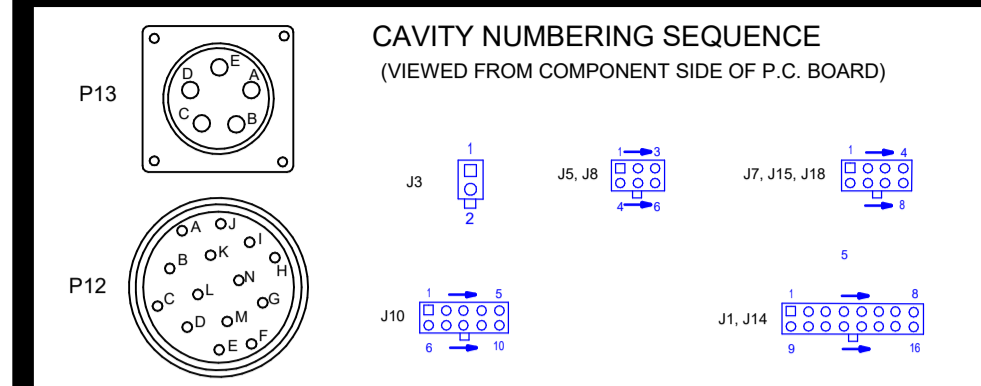
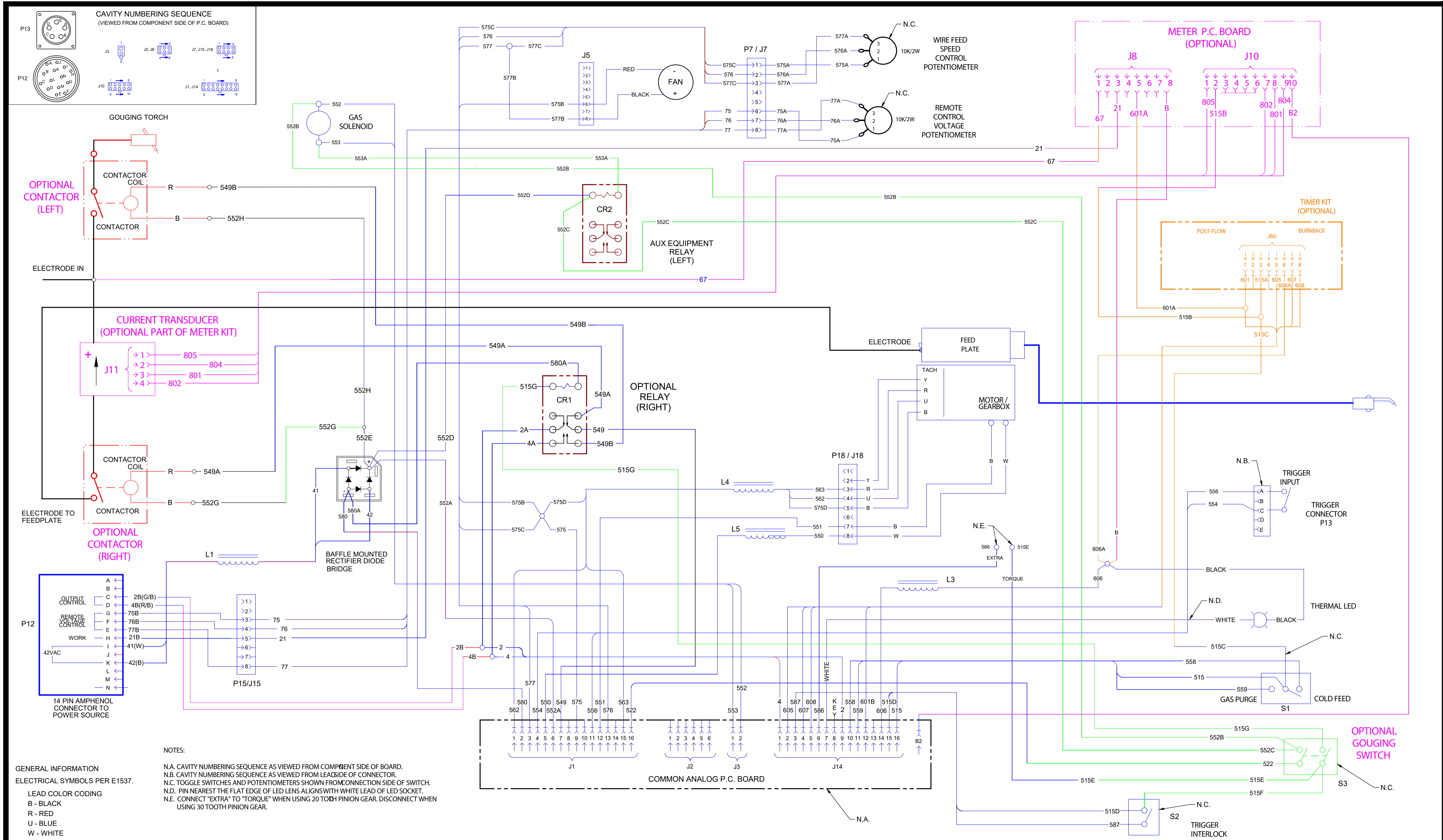


FLEX FEED 74HT WIRING DIAGRAM G7621 REV: B



GENERAL INFORMATION
ELECTRICAL SYMBOLS PER E1537.

LEAD COLOR CODING
B - BLACK
R - RED
U - BLUE
W - WHITE
Y - YELLOW

NOTES:
N.A. CAVITY NUMBERING SEQUENCE AS VIEWED FROM COMPONENT SIDE OF BOARD.
N.B. CAVITY NUMBERING SEQUENCE AS VIEWED FROM LEADSIDE OF CONNECTOR.
N.C. TOGGLE SWITCHES AND POTENTIOMETERS SHOWN FROM CONNECTION SIDE OF SWITCH.
N.D. PIN NEAREST THE FLAT EDGE OF LED LENS ALIGNS WITH WHITE LEAD OF LED SOCKET.
N.E. CONNECT "EXTRA" TO "TORQUE" WHEN USING 20 TOOTH PINION GEAR. DISCONNECT WHEN USING 30 TOOTH PINION GEAR.