

MODEL 842

SINGLE STAGE CYLINDER REGULATOR



Regulator 842-L for Argon/CO₂



Regulator 842 for Oxygen



Regulator 842 for Acetylene

FEATURES:

- Maximum inlet pressure of 230 bar
- Enough flow to cut up to 300 mm steel
- Downward knob
- Smooth adjustment with high precision
- Forged brass body for maximum strength
- Black bonnet and black gauge case
- Without regulation outlet valve
- "W" version fitted with outlet valve
- One-piece encapsulated seat design with internal filter and PTFE (Teflon®*) seat
- 7 year warranty

APPLICATIONS »

Medium duty cutting, heating and welding



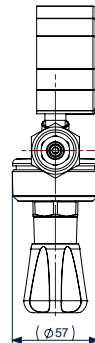
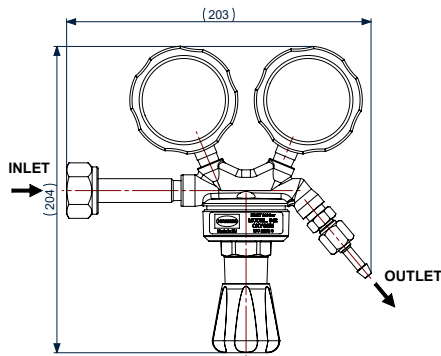
* Teflon® is a registered trademark of The Chemours Company

TECHNICAL DATA

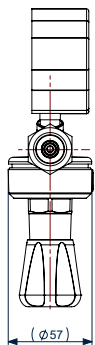
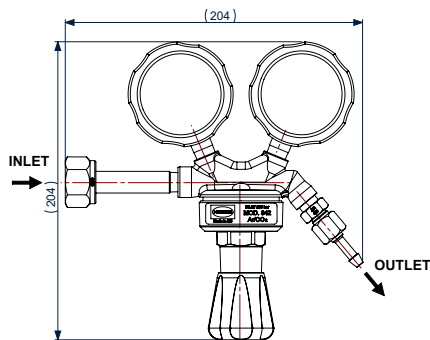
Model	Description	Gas	Max. inlet pressure	Max. outlet pressure	Max. air flow	Delivery pressure gauge	Supply pressure gauge
842 AC	REG,8421,5AC2552	Acetylene	25 bar	0 - 1,5 bar	30 m ³ /h	0 - 2,5 bar	0 - 40 bar
842D OX	REG,842D100X2553	Oxygen	230 bar	0 - 10 bar	155 m ³ /h	0 - 16 bar	0 - 315 bar

Model	Description	Gas	Max. inlet pressure	Flow	Supply pressure gauge	Flowgauge
842-L AR/CO ₂	REG,84230LARC1242	Argon/CO ₂	230 bar	0 - 30 l/min	0 - 315 bar	0 - 30 l/min

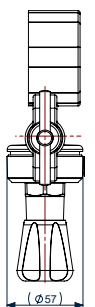
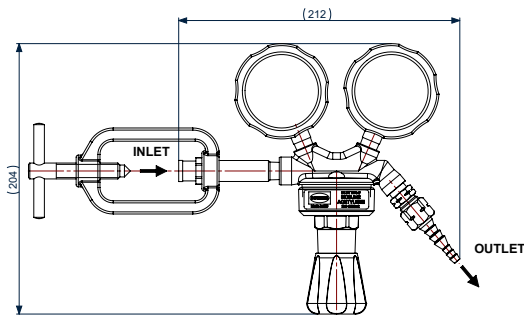
TECHNICAL DRAWINGS



Regulator 842 for Oxygen



Regulator 842-L for Argon/CO₂



Regulator 842 for Acetylene

CUSTOMER ASSISTANCE POLICY

The business of Lincoln Electric is manufacturing and selling high quality welding equipment, automated welding systems, consumables, and cutting equipment. Our challenge is to meet the needs of our customers, who are experts in their fields, and to exceed their expectations. On occasion, purchasers may ask Lincoln Electric for information or technical information about their use of our products. Our employees respond to inquiries to the best of their ability based on information and specifications provided to them by the customers and the knowledge they may have concerning the application. Our employees, however, are not in a position to verify the information provided or to evaluate the engineering requirements for the particular weldment, or to provide engineering advice in relation to a specific situation. Accordingly, Lincoln Electric does not warrant or guarantee or assume any liability with respect to such information or communications. Moreover, the provision of such information or technical information does not create, expand, or alter any warranty on our products. Any express or implied warranty that might arise from the information or technical information, including any implied warranty of merchantability or any warranty of fitness for any customers' particular purpose or any other equivalent or similar warranty is specifically disclaimed.

Lincoln Electric is a responsive manufacturer, but the definition of specifications, and the selection and use of specific products sold by Lincoln Electric is solely within the control of, and remains the sole responsibility of the customer. Many variables beyond the control of Lincoln Electric affect the results obtained in applying these types of fabrication methods and service requirements.

