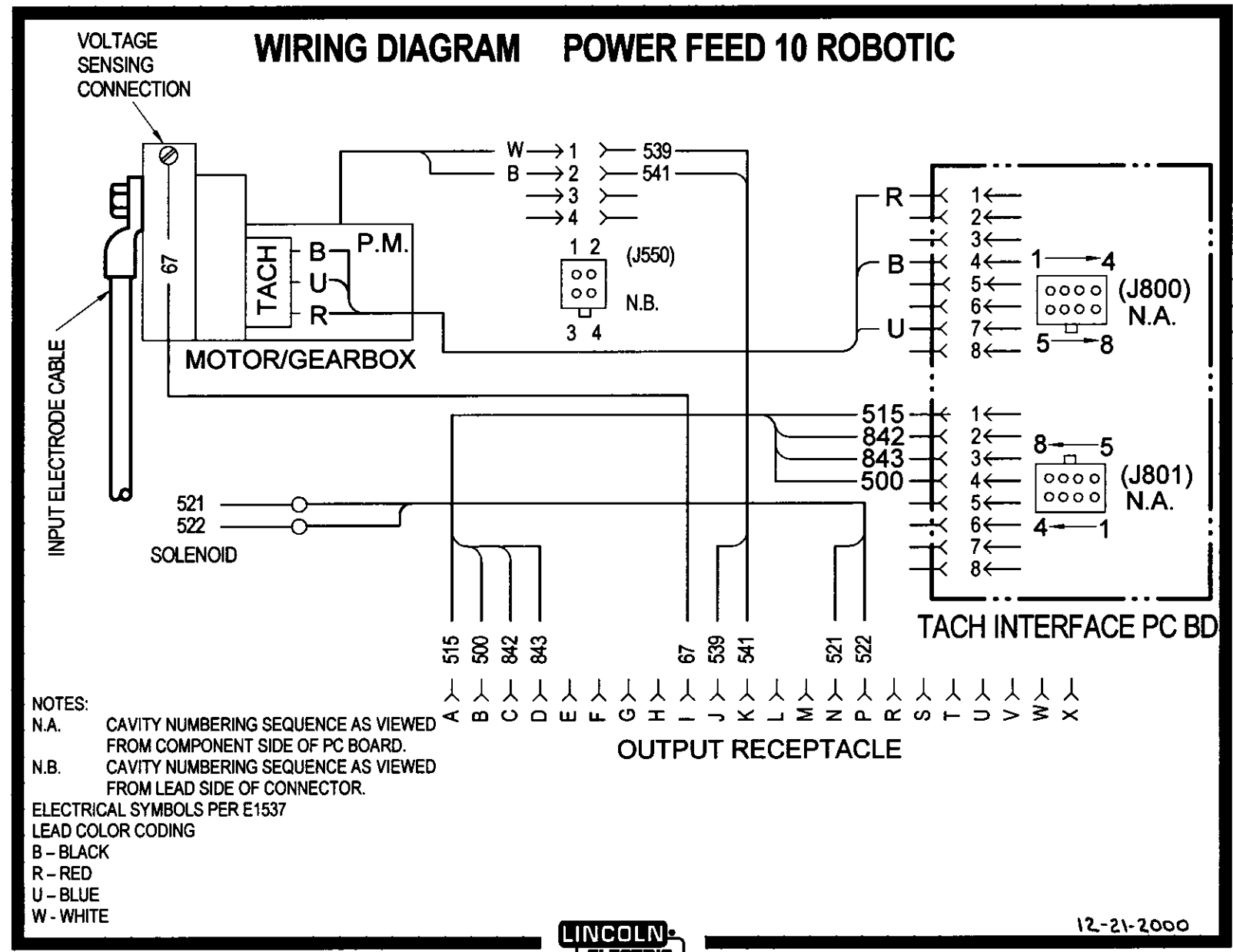


FINAL SIZE TO BE PRINTED 8.50 X 11.00



THIS SHEET CONTAINS PROPRIETARY INFORMATION OWNED BY THE LINCOLN ELECTRIC COMPANY AND IS NOT TO BE REPRODUCED, DISCLOSED OR USED WITHOUT THE EXPRESS WRITTEN PERMISSION OF THE LINCOLN ELECTRIC COMPANY, CLEVELAND, OHIO U.S.A.					
UNLESS OTHERWISE SPECIFIED TOLERANCE MANUFACTURING TOLERANCE PER E2056 ON 2 PLACE DECIMALS IS ± .02 ON 3 PLACE DECIMALS IS ± .002 ON ALL ANGLES IS ± .5 OF A DEGREE MATERIAL TOLERANCE ("1") TO AGREE WITH PUBLISHED STANDARDS. DO NOT SCALE THIS DRAWING	Chg. Sheet No.	"X" INFO.	DESIGN INFORMATION	REFERENCE:	EQUIPMENT TYPE:
	12-21-2000	XC	DRAWN BY: BAM <i>BW</i>	L10587	POWER FEED 10 ROBOTIC
			ENGINEER: BAM	SUPERSADING:	SUBJECT:
			APPROVED:		WIRING DIAGRAM
					SCALE: NONE DATE: 8/12/99 DRAWING No.: M 19601

EN-166

SOLID EDGE