



Connection Guide

POWER WAVE[®]



Authorized Service and Distributor Locator:
www.lincolnelectric.com/locator

Need Help? Call 1.888.935.3877
to talk to a Service Representative

Hours of Operation:
8:00 AM to 6:00 PM (ET) Mon. thru Fri.

After hours?
Use “Ask the Experts” at lincolnelectric.com
A Lincoln Service Representative will contact you
no later than the following business day.

For Service outside the USA:
Email: globalservice@lincolnelectric.com

Service Parts:
parts.lincolnelectric.com

For use with machines:

Power Wave 300C (K4487-1, K4488-1)

Power Wave S350 (K2823-1, K2823-3)

Power Wave S500 (K2904-1)

Power Wave S700 (K3279-1)

PIPEFAB[™] (K3734-1, K3735-1, K3731-1, K3737-1)

Table of Contents

MIG

Power Wave 300C

Power Wave 300C + Magnum PRO Curve HDE 250.....	3
Power Wave 300C + Magnum PRO AL Push Pull Gun.....	4
Power Wave 300C + Magnum PRO 250LX GT Spool Gun.....	5
Power Wave 300C + Magnum PRO K126 Innershield Gun.....	6

Power Wave S350/PF-84 Series

Power Wave S350 + Power Feed 84 + Magnum PRO 300 Amp.....	8
Power Wave S350 + Power Feed 84 + Magnum PRO AL Push Pull Gun.....	9
Power Wave S350 + Power Feed 84 + Magnum PRO K126 Innershield Gun.....	10
Power Wave S350 + Power Feed 84 + Cool Arc 55/S + Magnum 450WC.....	11
Power Wave S350 + Power Feed 84 + Magnum PRO AL G450W Push Pull.....	12

Power Wave S350/PF-25 Series

Power Wave S350 + Power Feed 25M + Magnum PRO 300 Amp.....	13
Power Wave S350 + Power Feed 25M + Magnum PRO AL Push Pull Gun.....	14
Power Wave S350 + Power Feed 25M + Magnum PRO K126 Innershield Gun.....	15
Power Wave S350 + Power Feed 25M + Cool Arc 55/S + Magnum 450WC.....	16
Power Wave S350 + Power Feed 25 + Cool Arc 55/S + Magnum PRO AL G450W.....	18

PipeFab/PipeFab Feeder

PipeFab + PipeFab Feeder + Magnum PRO Curve HDE 250 & 350 15. ft Ready-Pak.....	17
---	----

Power Wave S500/PF-84 Series

Power Wave S500 + Power Feed 84 + Magnum PRO 300 Amp.....	19
Power Wave S500 + Power Feed 84 + Magnum PRO AL G225A.....	20
Power Wave S500 + Power Feed 84 + Magnum PRO K126.....	21
Power Wave S500 + Power Feed 84 + Cool Arc 55/S + Magnum 450WC.....	22
Power Wave S500 + Power Feed 84 + Cool Arc 55/S + Magnum PRO AL G450W.....	23
Power Wave S500 + Power Feed 25M + Magnum PRO 300 Amp.....	24

Power Wave S500/PF-25 Series

Power Wave S500 + Power Feed 25M + Magnum PRO AL G225A.....	25
Power Wave S500 + Power Feed 25M + Magnum PRO K126.....	26
Power Wave S500 + Power Feed 25M + Cool Arc 55/S + Magnum 450WC.....	27
Power Wave S500 + Power Feed 25M + Cool Arc 55/S + Magnum PRO AL G450W.....	28

Power Wave S700/PF-84 Series

Power Wave S700 + Power Feed 84 + Magnum PRO 300 Amp.....	29
Power Wave S700 + Power Feed 84 + Magnum PRO AL G225A.....	30
Power Wave S700 + Power Feed 84 + Magnum PRO K126 Innershield Gun.....	31
Power Wave S700 + Power Feed 84 + Cool Arc 55/S + Magnum 450WC.....	32
Power Wave S700 + Power Feed 84 + Cool Arc 55/S + Magnum PRO AL G450W.....	33

TIG

Power Wave 300C + PTA-17.....	34
Power Wave 300C + PTA-26.....	33
Power Wave 300C + PTW-XX + Cool Arc 40.....	34
Power Wave S350 + Power Feed 84 + PTA-17V.....	35
Power Wave S350 + User Interface Kit + Power Feed 84 + PTA-17.....	36
Power Wave S350 + Power Feed 84 + Advanced Module + PTA-17.....	37
Power Wave S350 + User Interface Kit + Power Feed 84 + Advanced Module + PTA-17.....	38
Power Wave S350 + Power Feed 84 + PTA-26V.....	39
Power Wave S350 + User Interface Kit + Power Feed 84 + PTA-26.....	40
Power Wave S350 + Power Feed 84 + Advanced Module + PTA-26.....	41
Power Wave S350 + User Interface Kit + Power Feed 84 + Advanced Module + PTA-26.....	42
Power Wave S350 + User Interface Kit + Power Feed 84 + Cool Arc 55/S + PTW-20.....	43
Power Wave S350 + Power Feed 84 + Cool Arc 55/S + AdvancedModule + PTW-20.....	44
PipeFab + Power Wave S350 + User Interface Kit + Power Feed 84 + Cool Arc 55/S + AdvancedModule + PTW-20.....	45
Power Wave S500 + Power Feed 84 + PTA-17V.....	46
Power Wave S500 + User Interface Kit + Power Feed 84 + PTA-17.....	47
Power Wave S500 + Power Feed 84 + Advanced Module + PTA-17.....	48
Power Wave S500 + User Interface Kit + Power Feed 84 + Advanced Module + PTA-17.....	49
Power Wave S500 + Power Feed 84 + PTA-26V.....	50
Power Wave S500 + User Interface Kit + Power Feed 84 + PTA-26.....	51
Power Wave S500 + Power Feed 84 + Advanced Module + PTA-26.....	52
Power Wave S500 + User Interface Kit + Power Feed 84 + Advanced Module + PTA-26.....	53
Power Wave S500 + User Interface Kit + Power Feed 84 + Cool Arc 55/S + PTW-20.....	54
Power Wave S500 + Power Feed 84 + AdvancedModule + Cool Arc 55/S + PTW-20.....	55
Power Wave S500 + User Interface Kit + Power Feed 84 + AdvancedModule + Cool Arc 55/S + PTW-20.....	56

Stick

Power Wave 300C + Stick Electrode Holder.....	57
Power Wave S350 + Power Feed 25M + EH305 Electrode Holder.....	58
Power Wave S350 + Power Feed 84 + Advanced Module + EH305 Electrode Holder.....	59
Power Wave S500 + Power Feed 84 + EH305 Electrode Holder.....	60
Power Wave S500 + Power Feed 25M + Advanced Module + EH305 Electrode Holder.....	61
Power Wave S700 + Power Feed 84 + EH305 Electrode Holder.....	62

Appendix

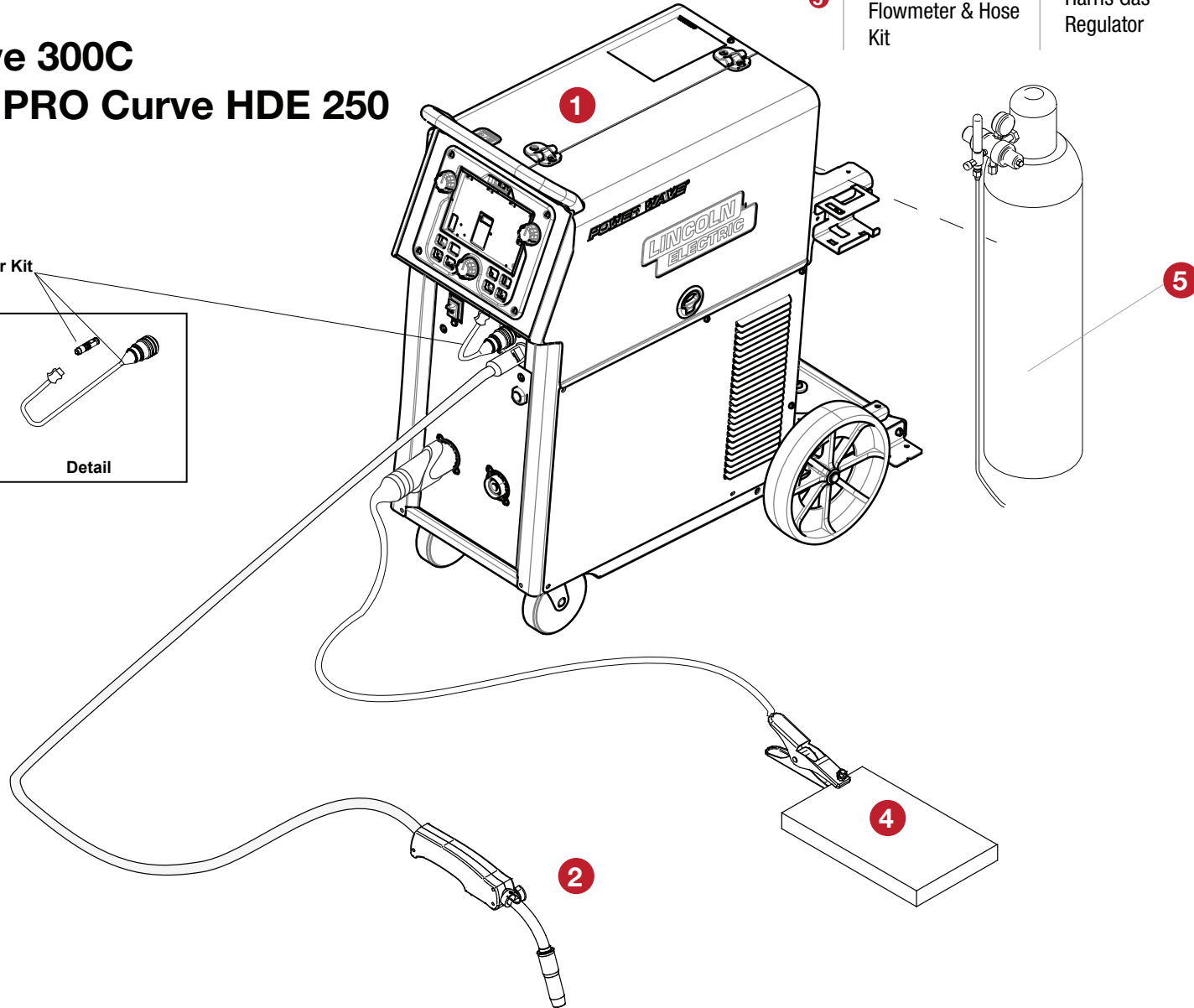
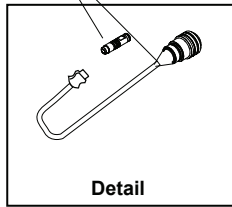
Wire Feeder Control Cables & Adapters.....	66
Electrode and Work Weld Cables.....	67

MIG (GMAW)

Power Wave 300C + Magnum PRO Curve HDE 250

	ITEM	DESC.	K#
1	Machine	300C	K4487-1 or K4488-1
2	Gun	250A	K4531-2-6-45
3	Gun Connector	Gun Power	K466-6
4	Work	Twist Mate	
5	Regulator Flowmeter & Hose Kit	Harris Gas Regulator	K586-1

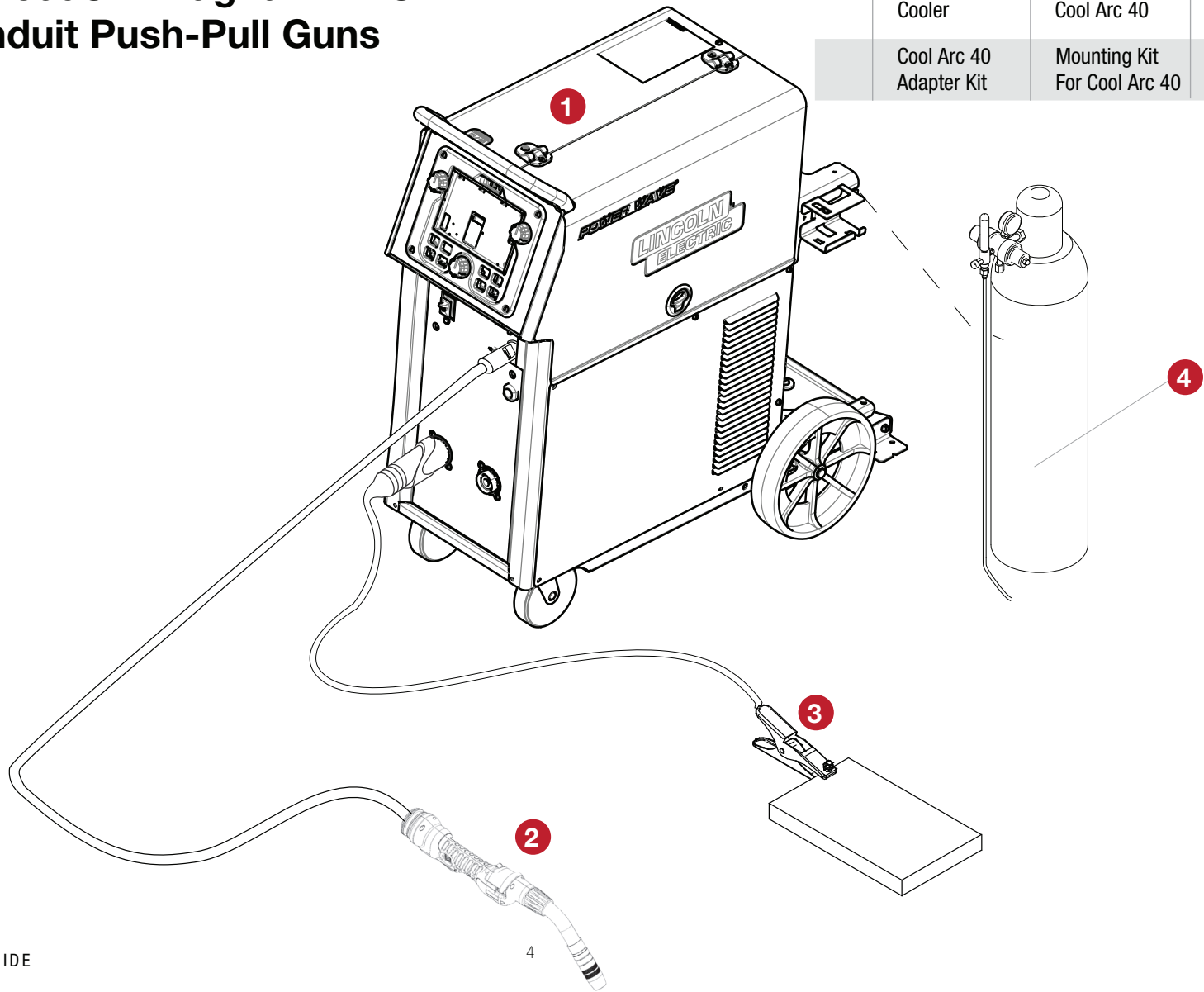
3 Adapter
Gun Connector Kit



MIG (GMAW)

Power Wave 300C + Magnum PRO AI Fixed Conduit Push-Pull Guns

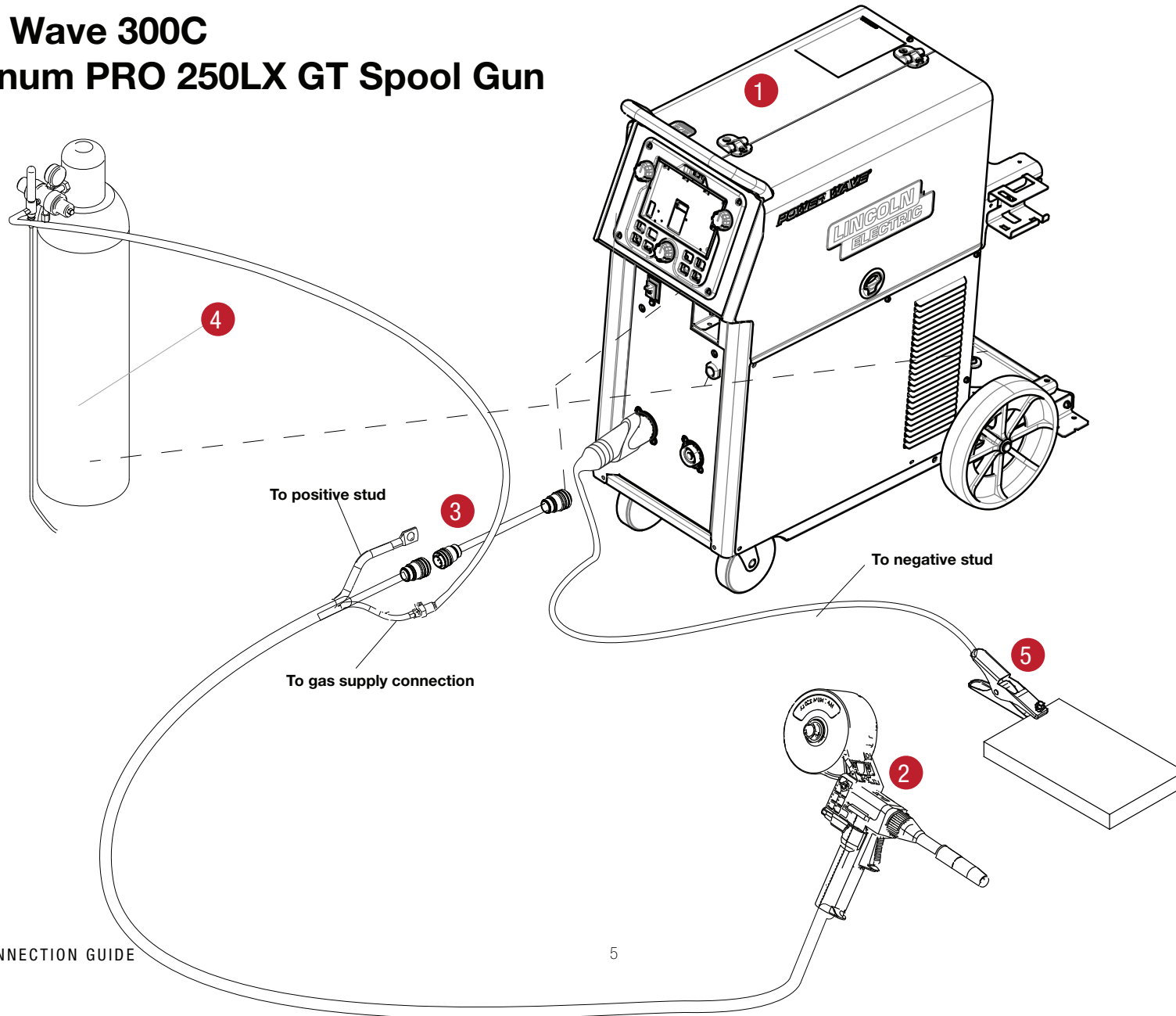
ITEM	DESC.	K#	
1	Machine	300C	K4487-1 or K4488-1
2	Gun	225A Push-Pull	K4797-X (Air Cooled) or K4798-X (Water Cooled)
3	Work	Twist Mate	
4	Regulator Flowmeter & Hose Kit	Harris Gas Regulator	K586-1
	Cooler	Cool Arc 40	K1813-1 (Water Cooled gun only)
	Cool Arc 40 Adapter Kit	Mounting Kit For Cool Arc 40	K4898-1



MIG (GMAW)

Power Wave 300C + Magnum PRO 250LX GT Spool Gun

	ITEM	DESC.	K#
1	Machine	300C	K4487-1 or K4488-1
2	Gun	Spool Gun	K3569-2
3	Adapter	7-pin to 12-pin	K2910-1
4	Regulator Flowmeter & Hose Kit	Harris Gas Regulator	K586-1
5	Work	Twist Mate	

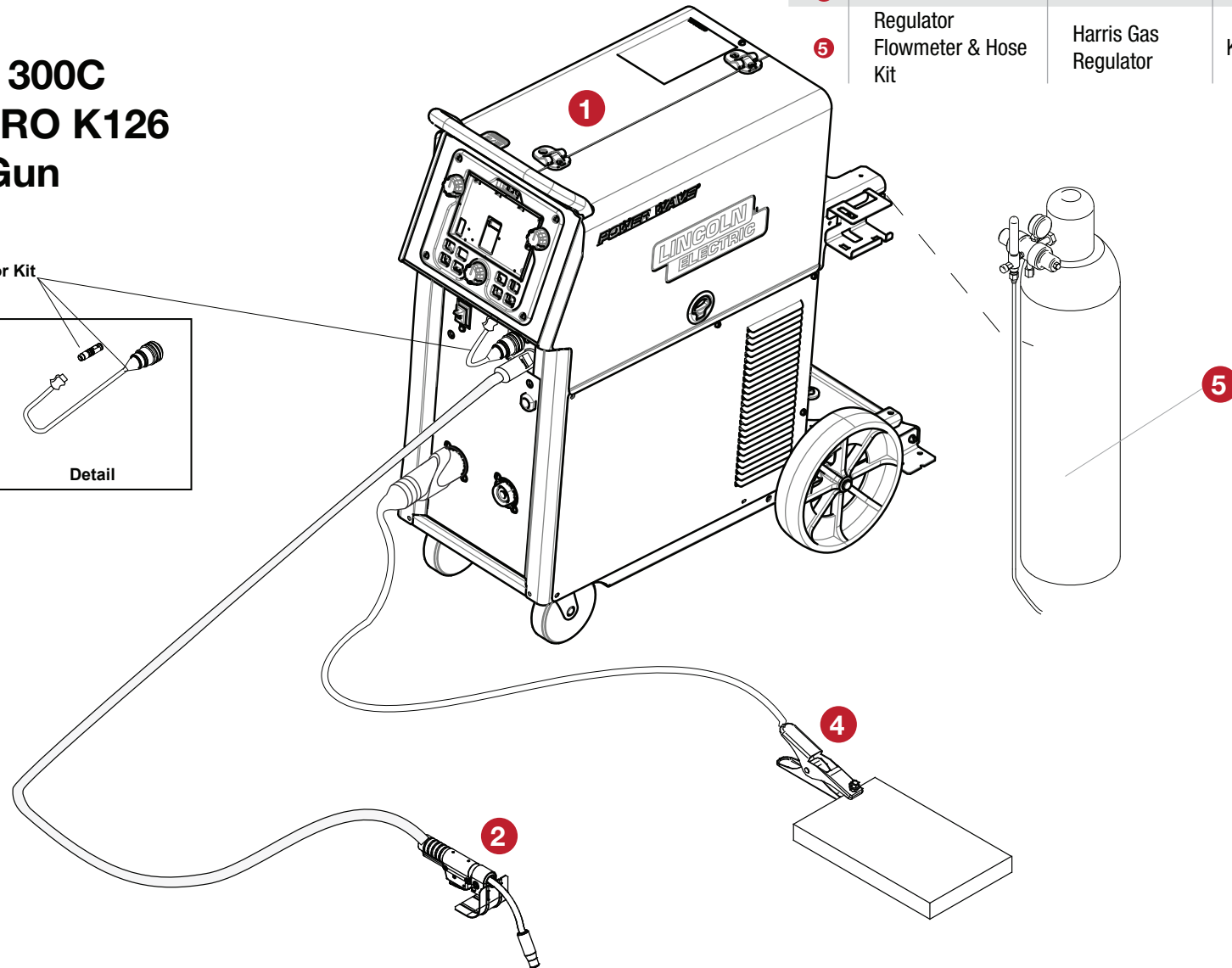
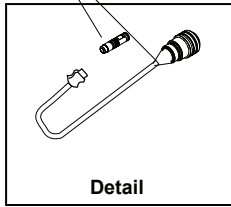


MIG (GMAW)

Power Wave 300C + Magnum PRO K126 Innershield Gun

	ITEM	DESC.	K#
1	Machine	300C	K4487-1 or K4488-1
2	Gun	K126® PRO Innershield® Gun	K126-12
3	Gun Connector		K466-6
4	Work Regulator	Twist Mate Harris Gas Regulator	K586-1
5	Flowmeter & Hose Kit		

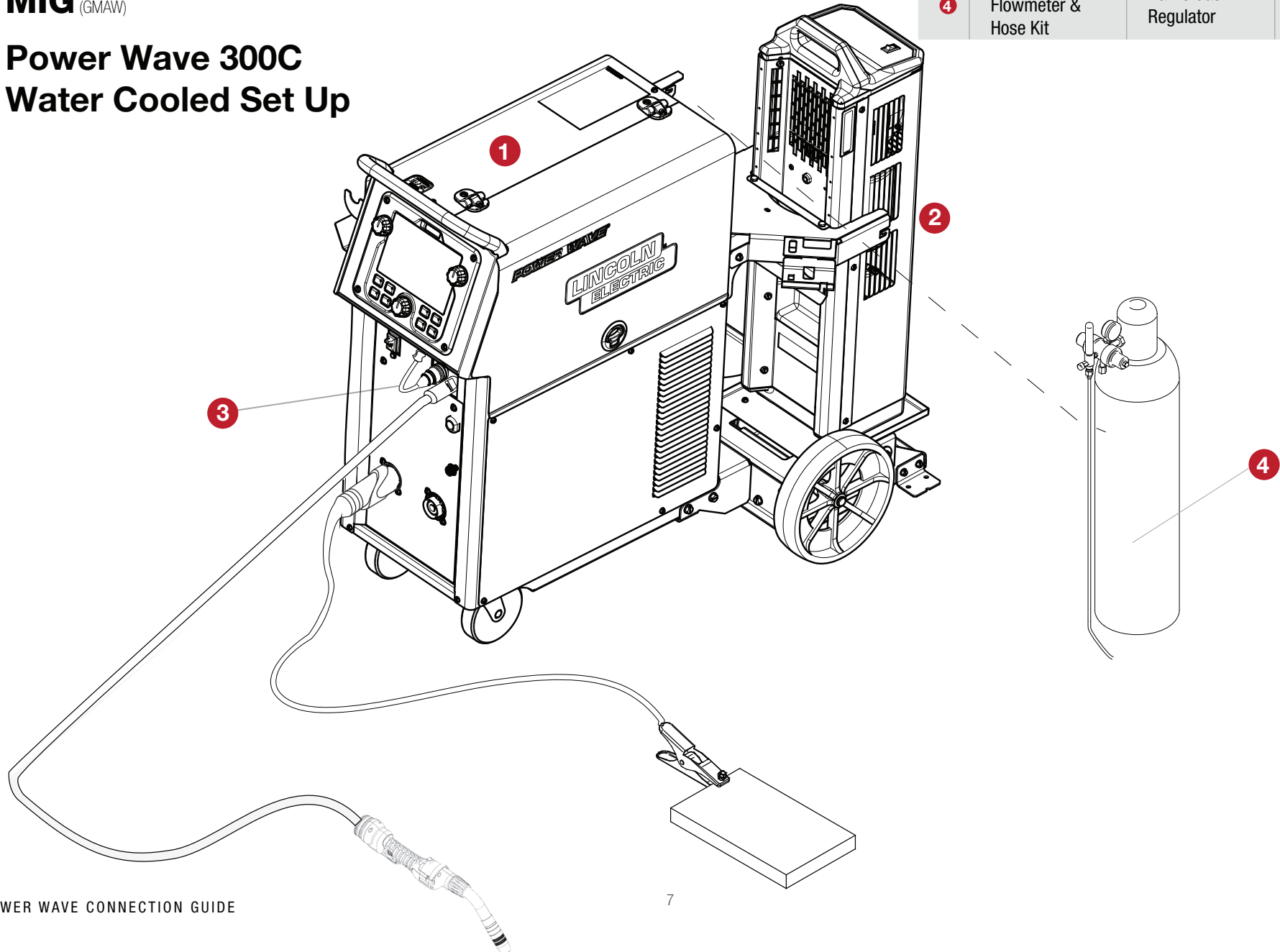
3 Adapter
Gun Connector Kit



MIG (GMAW)

Power Wave 300C Water Cooled Set Up

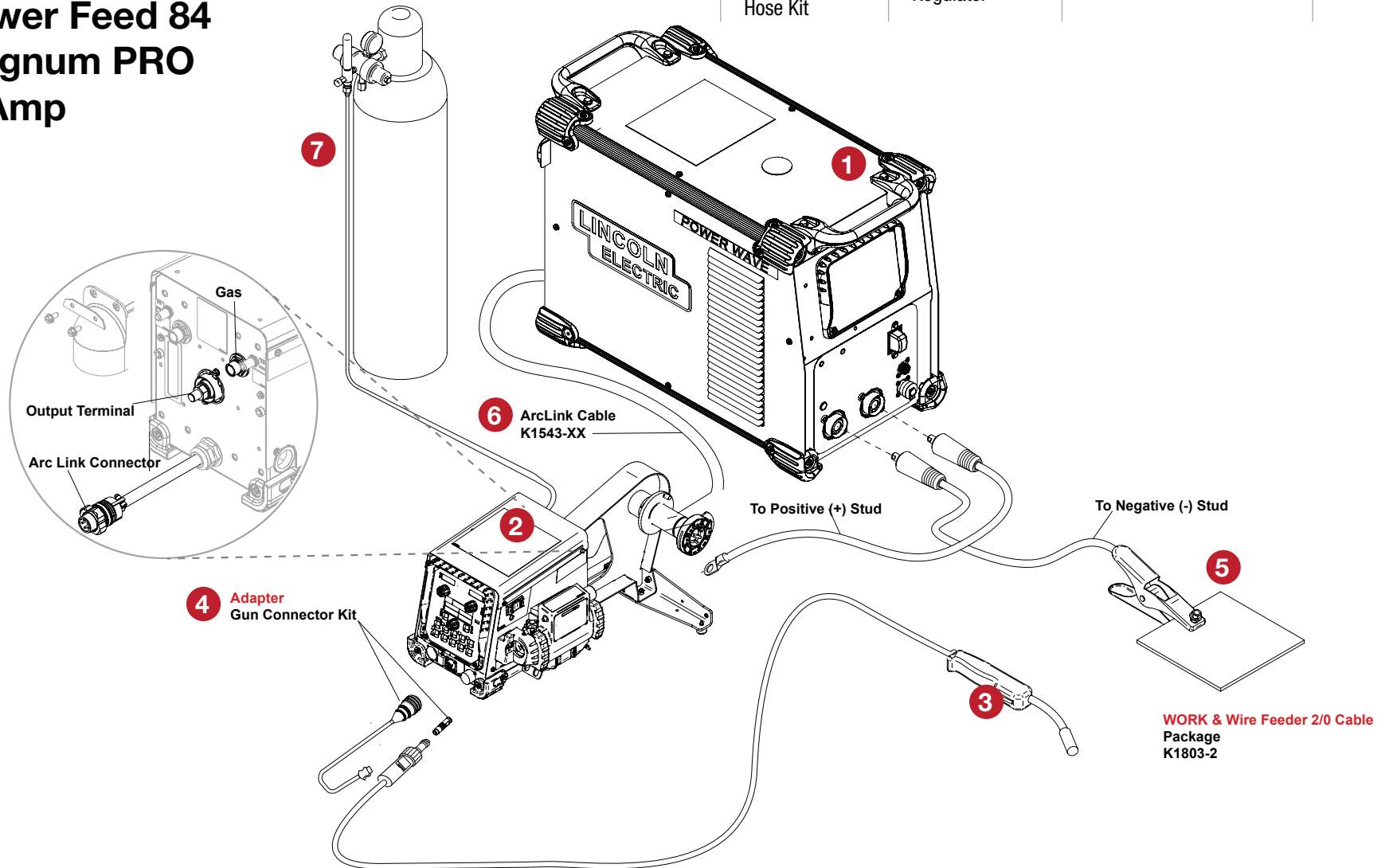
	ITEM	DESC.	K#
1	Machine	300C	K4487-1 or K4488-1
2	Cooler	Cool Arc 40	K1813-1
3	Cooler Adapter Kit	Mounting Kit For Cool Arc 40	K4898-1
4	Regulator Flowmeter & Hose Kit	Harris Gas Regulator	K586-1



MIG (GMAW)

Power Wave S350 + Power Feed 84 + Magnum PRO 300 Amp

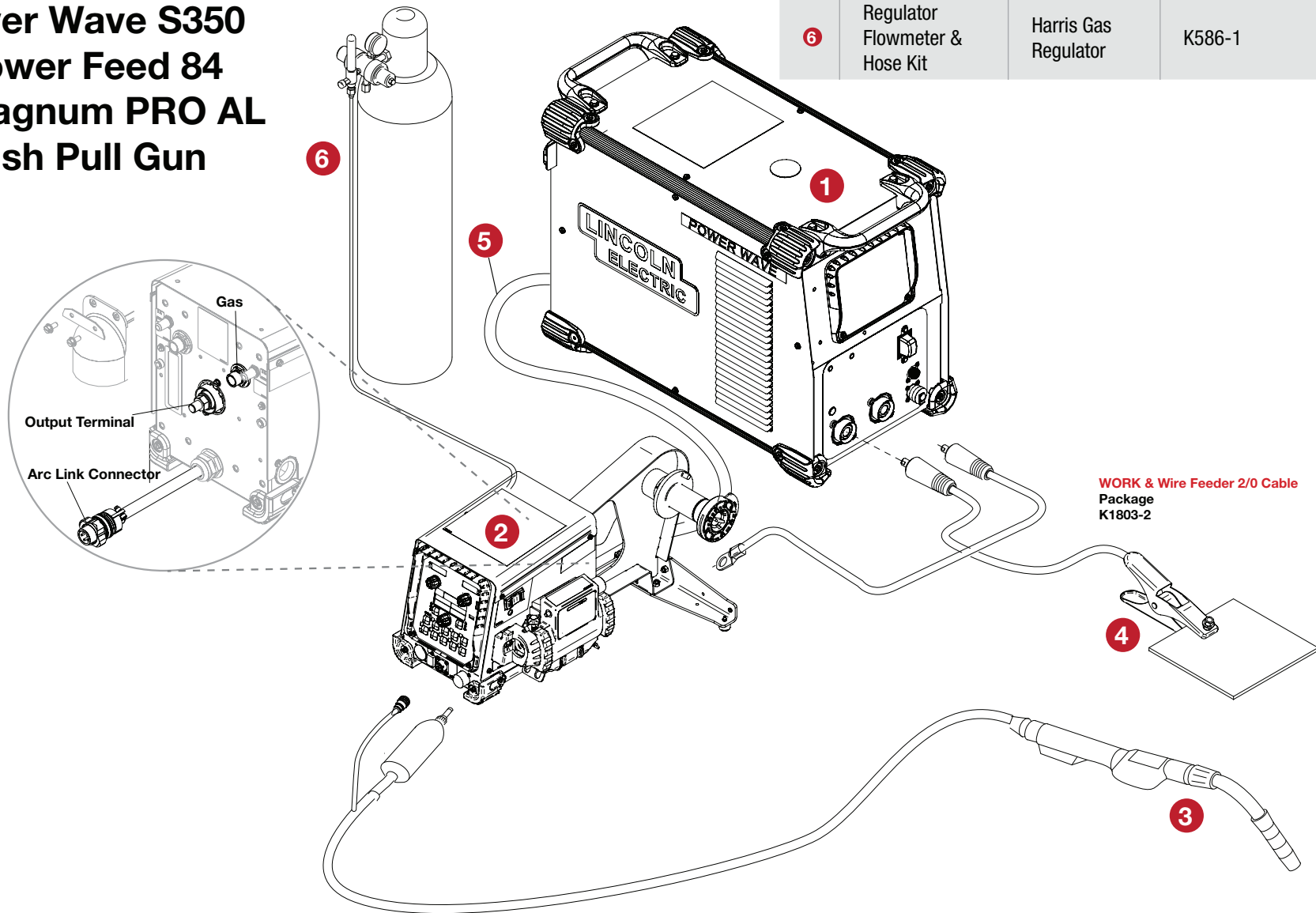
	ITEM	DESC.	K#	NOTE
1	Machine	S350	K2823-3	
2	Feeder	PF -84	K3328-X or K3330-X	
3	Gun	300 Amp	K2951-2-10-45	5-pin
4	Gun Connector		K466-10	
5	Work Cable	Tweco	K1803-2	
6	Control Cable	ArcLink Cable	K4483-XX	
7	Regulator Flowmeter & Hose Kit	Harris Gas Regulator	K586-1	



MIG (GMAW)

Power Wave S350 + Power Feed 84 + Magnum PRO AL Push Pull Gun

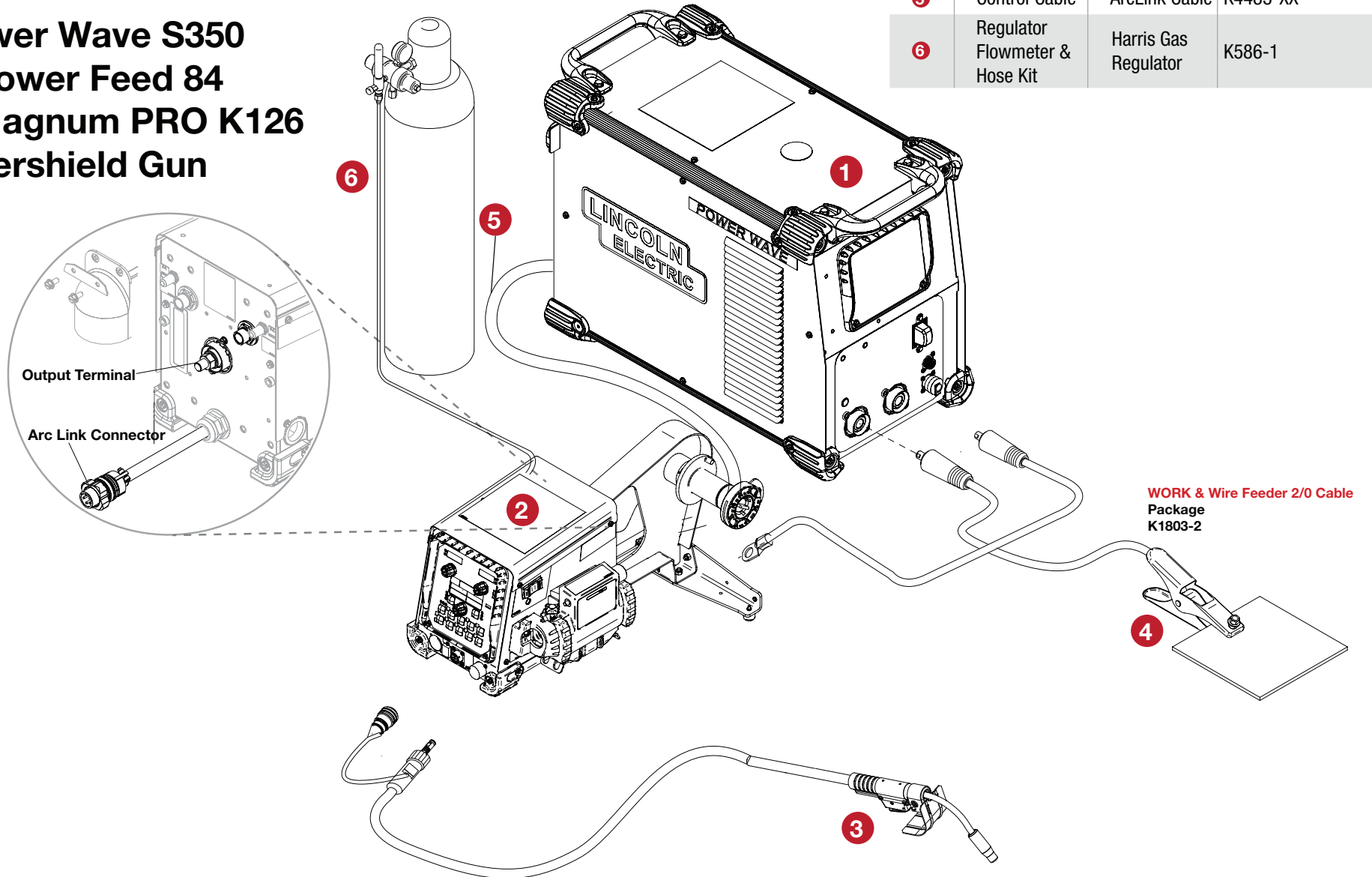
	ITEM	DESC.	K#	NOTE
1	Machine	S350	K2823-3	
2	Feeder	PF -84	K3328-X or K3330-X	
3	Gun	Air Cooled	K4797-X	12-Pin
4	Work Cable	Tweco	K1803-2	
5	Control Cable	ArcLink Cable	K4483-XX	
6	Regulator Flowmeter & Hose Kit	Harris Gas Regulator	K586-1	



MIG (GMAW)

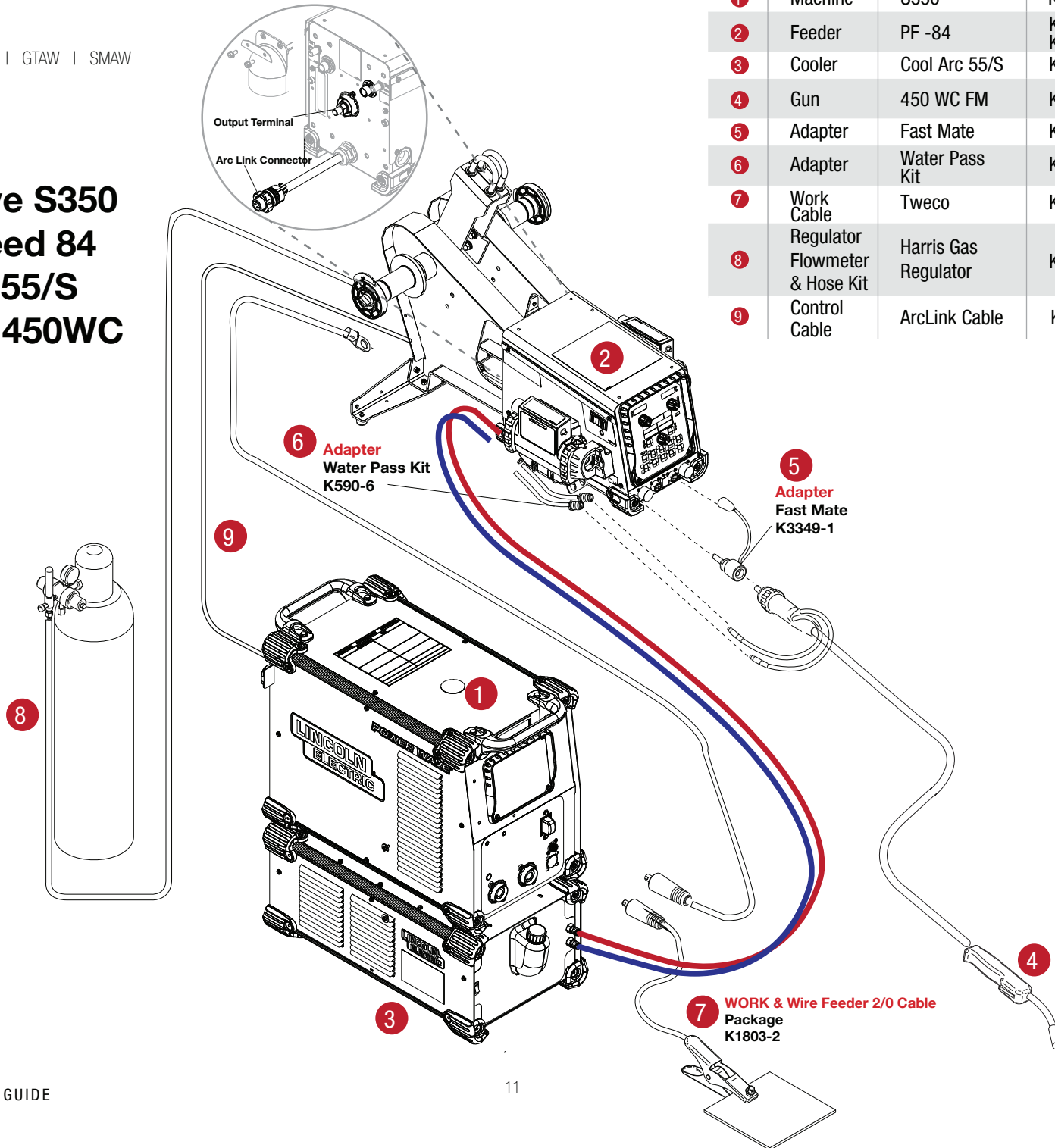
Power Wave S350 + Power Feed 84 + Magnum PRO K126 Innershield Gun

	ITEM	DESC.	K#
1	Machine	S350	K2823-3
2	Feeder	PF -84	K3328-X or K3330-X
3	Gun	K126 Pro	K126-12
4	Work Cable	Tweco	K1803-2
5	Control Cable	ArcLink Cable	K4483-XX
6	Regulator Flowmeter & Hose Kit	Harris Gas Regulator	K586-1



MIG (GMAW)

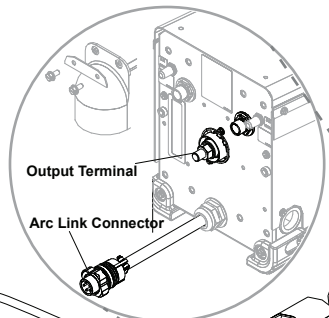
Power Wave S350 + Power Feed 84 + Cool Arc 55/S + Magnum 450WC



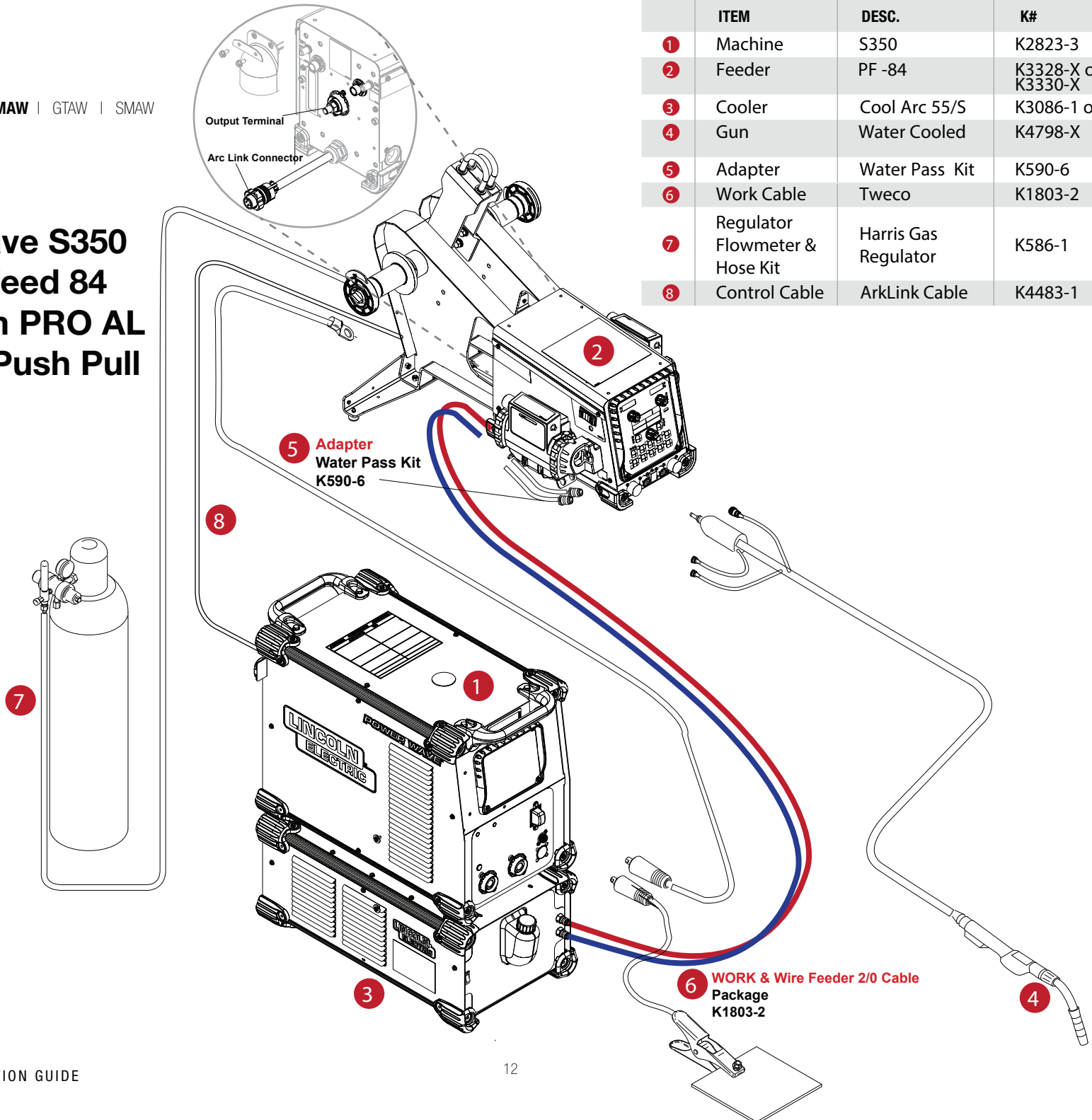
	ITEM	DESC.	K#	
1	Machine	S350	K2823-3	
2	Feeder	PF -84	K3328-X or K3330-X	
3	Cooler	Cool Arc 55/S	K3086-1-2	
4	Gun	450 WC FM	K684-12	Fast Mate
5	Adapter	Fast Mate	K3349-1	
6	Adapter	Water Pass Kit	K590-6	
7	Work Cable	Tweco	K1803-2	
8	Regulator Flowmeter & Hose Kit	Harris Gas Regulator	K586-1	
9	Control Cable	ArcLink Cable	K4483-XX	

MIG (GMAW)

Power Wave S350 + Power Feed 84 + Magnum PRO AL G450W Push Pull



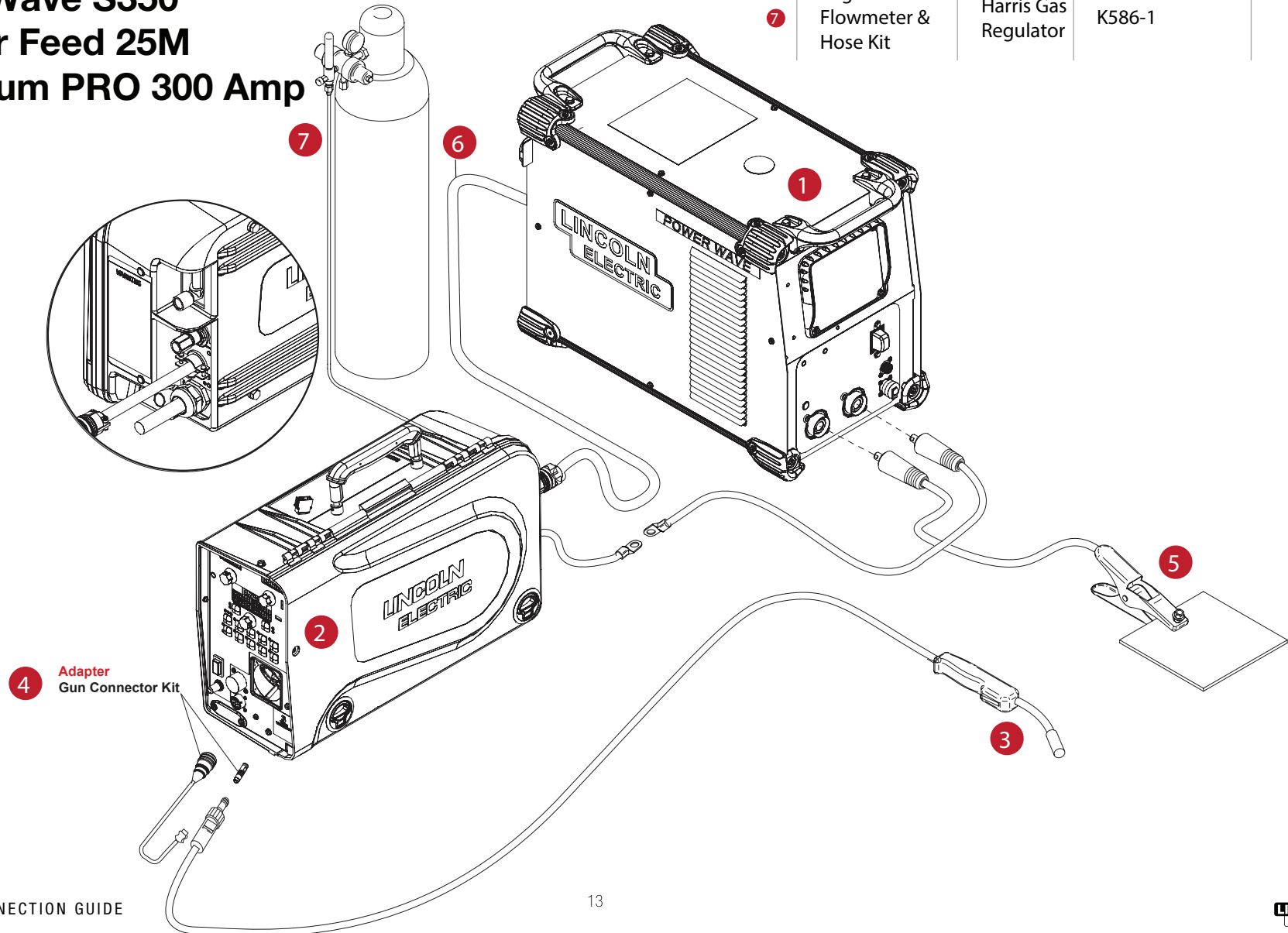
	ITEM	DESC.	K#	NOTE
1	Machine	S350	K2823-3	
2	Feeder	PF -84	K3328-X or K3330-X	
3	Cooler	Cool Arc 55/S	K3086-1 or -2	
4	Gun	Water Cooled	K4798-X	12 Pin
5	Adapter	Water Pass Kit	K590-6	
6	Work Cable	Tweco	K1803-2	
7	Regulator Flowmeter & Hose Kit	Harris Gas Regulator	K586-1	
8	Control Cable	ArkLink Cable	K4483-1	



MIG (GMAW)

Power Wave S350 + Power Feed 25M + Magnum PRO 300 Amp

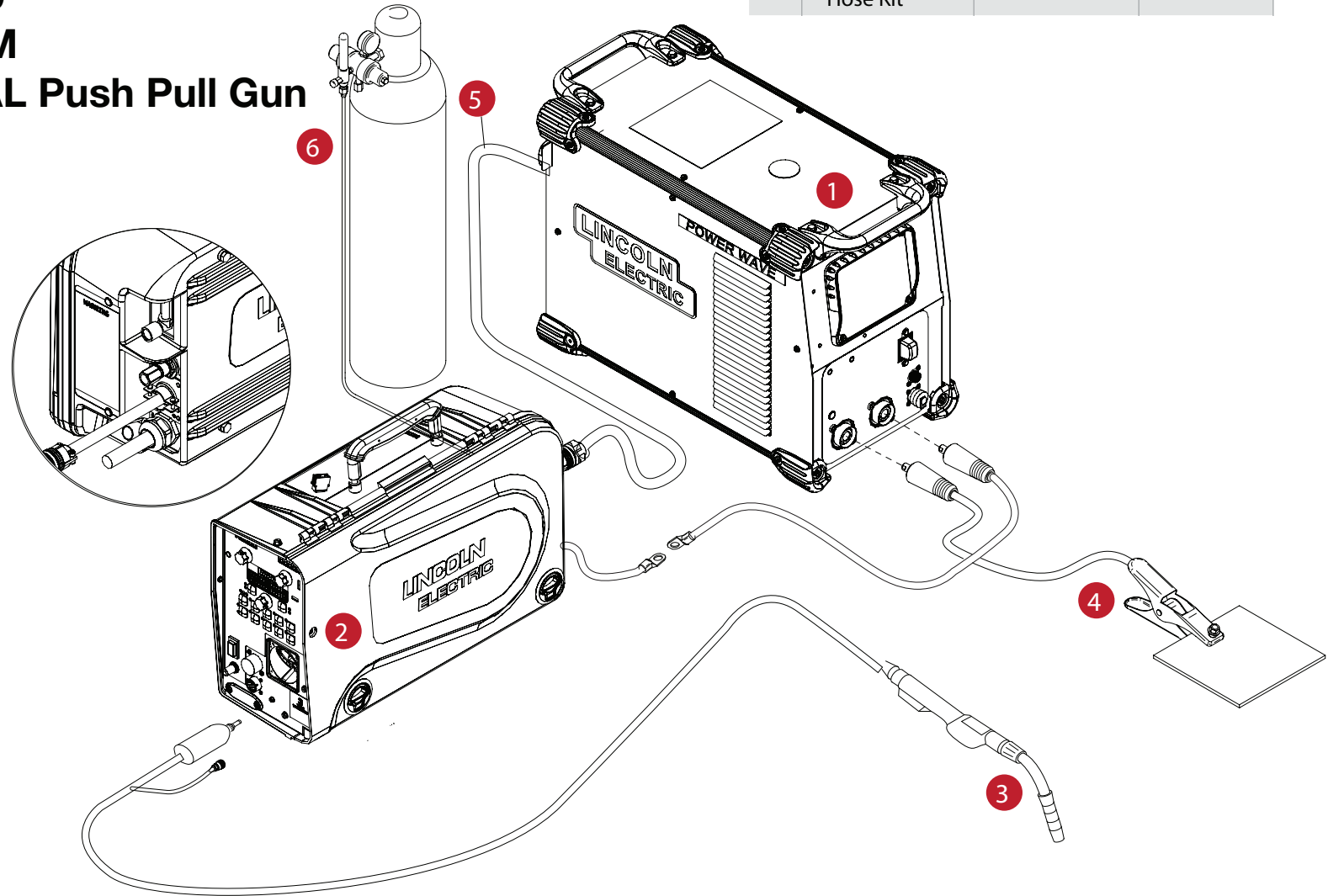
	ITEM	DESC.	K#	NOTE
1	Machine	S350	K2823-3	
2	Feeder	PF -25M	K2536-X	
3	Gun	300 Amp	K2951-2-10-45	5-pin
4	Gun Connector	Tweco	K466-10	
5	Work Cable	Tweco	K1803-2	
6	Control Cable	ArcLink Cable	K4483-XX	
7	Regulator Flowmeter & Hose Kit	Harris Gas Regulator	K586-1	



MIG (GMAW)

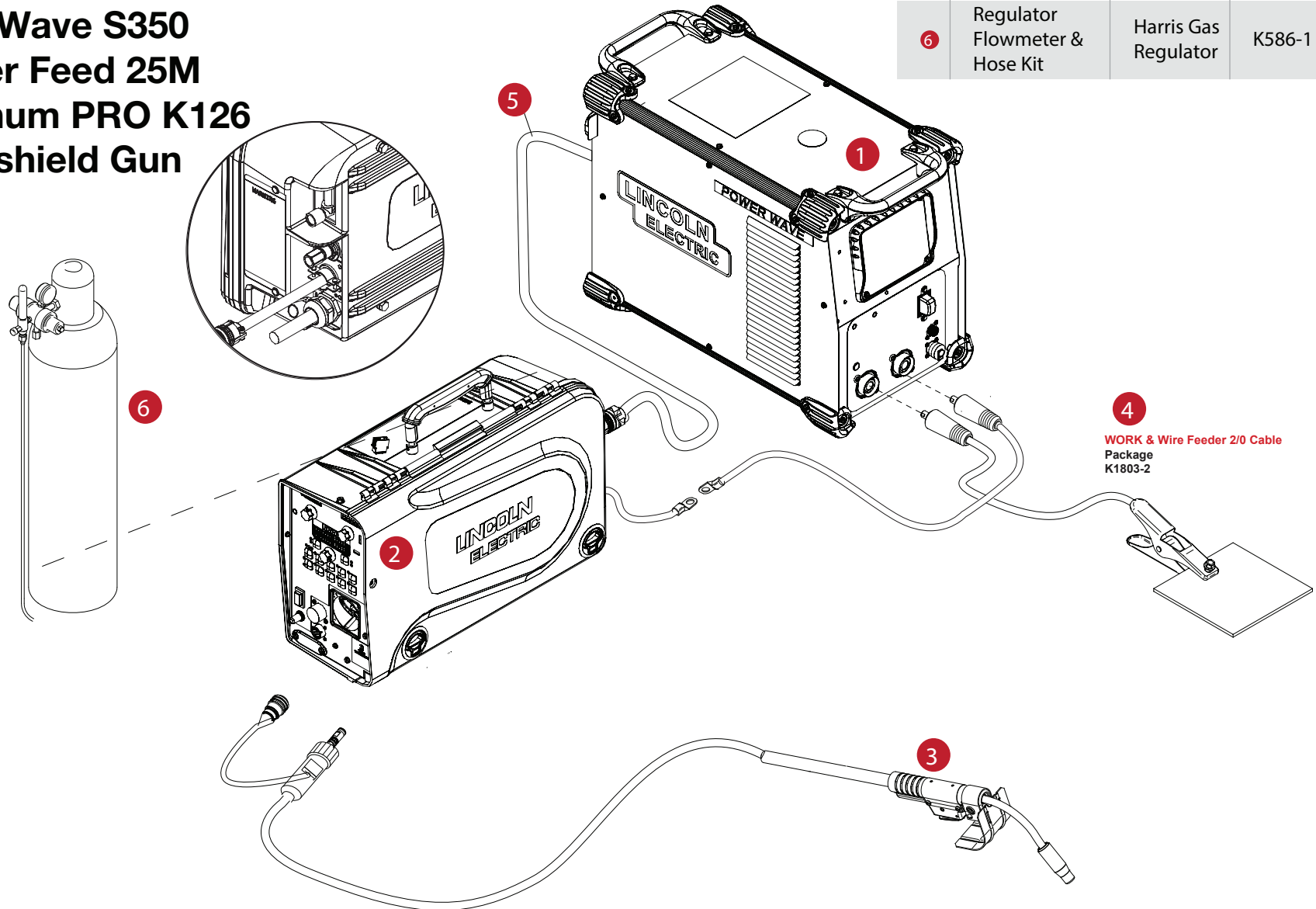
Power Wave S350 + Power Feed 25M + Magnum PRO AL Push Pull Gun

	ITEM	DESC.	K#
1	Machine	S350	K2823-3
2	Feeder	PF -25M	K2536-X
3	Gun	Air Cooled	K4797-X
4	Work Cable	Tweco	K1803-2
5	Control Cable	ArcLink Cable	K4483-XX
6	Regulator Flowmeter & Hose Kit	Harris Gas Regulator	K586-1



MIG (GMAW)

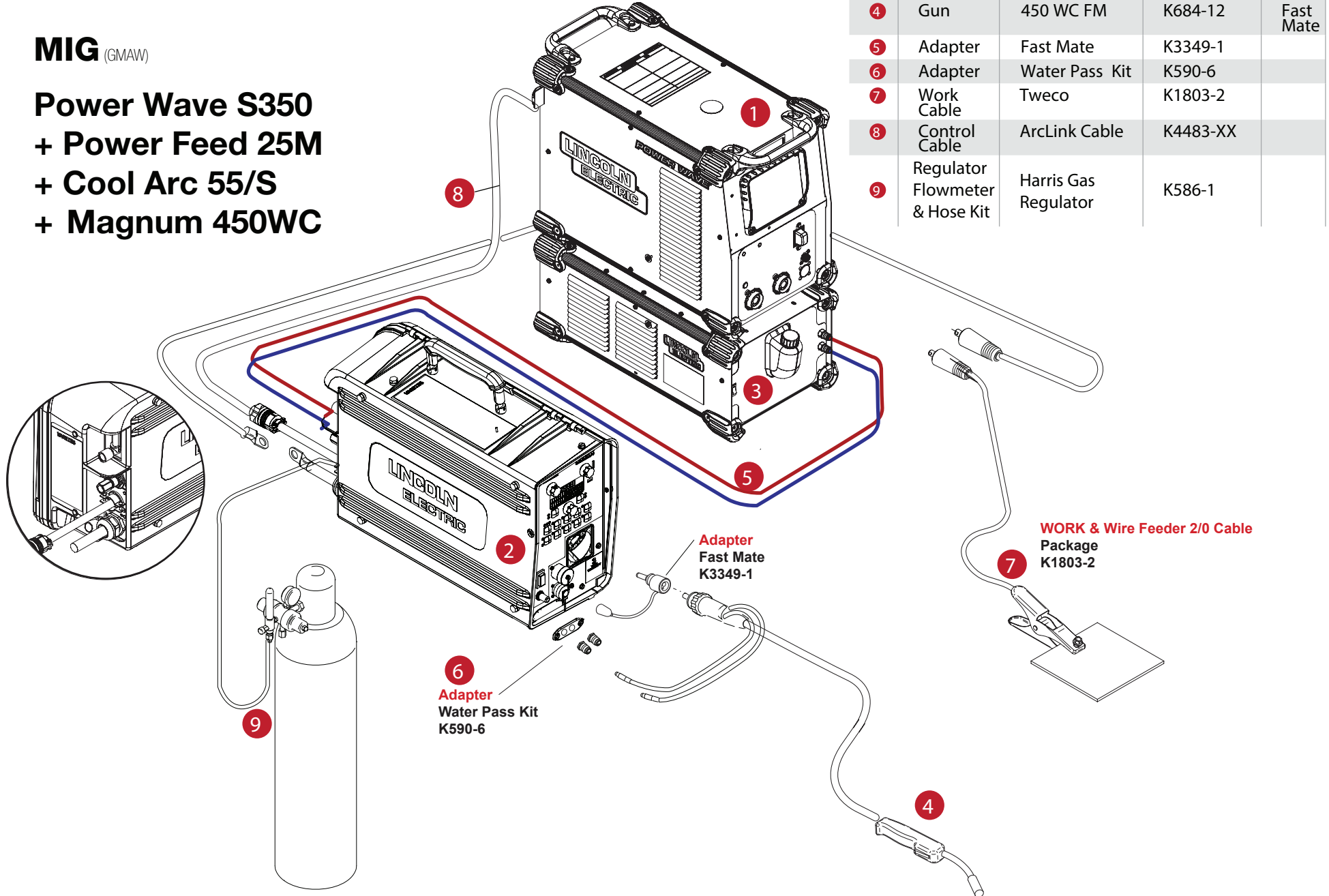
Power Wave S350 + Power Feed 25M + Magnum PRO K126 Innershield Gun



	ITEM	DESC.	K#
1	Machine	S350	K2823-3
2	Feeder	PF -25M	K2536-X
3	Gun	K126 Pro	K126-12
4	Work Cable	Tweco	K1803-2
5	Control Cable	ArcLink Cable	K4483-XX
6	Regulator Flowmeter & Hose Kit	Harris Gas Regulator	K586-1

MIG (GMAW)

Power Wave S350 + Power Feed 25M + Cool Arc 55/S + Magnum 450WC



	ITEM	DESC.	K#	
1	Machine	S350	K2823-3	
2	Feeder	PF -25M	K2536-X	
3	Cooler	Cool Arc 55/S	K3086-1-2	
4	Gun	450 WC FM	K684-12	Fast Mate
5	Adapter	Fast Mate	K3349-1	
6	Adapter	Water Pass Kit	K590-6	
7	Work Cable	Tweco	K1803-2	
8	Control Cable	ArcLink Cable	K4483-XX	
9	Regulator Flowmeter & Hose Kit	Harris Gas Regulator	K586-1	

Adapter Fast Mate K3349-1

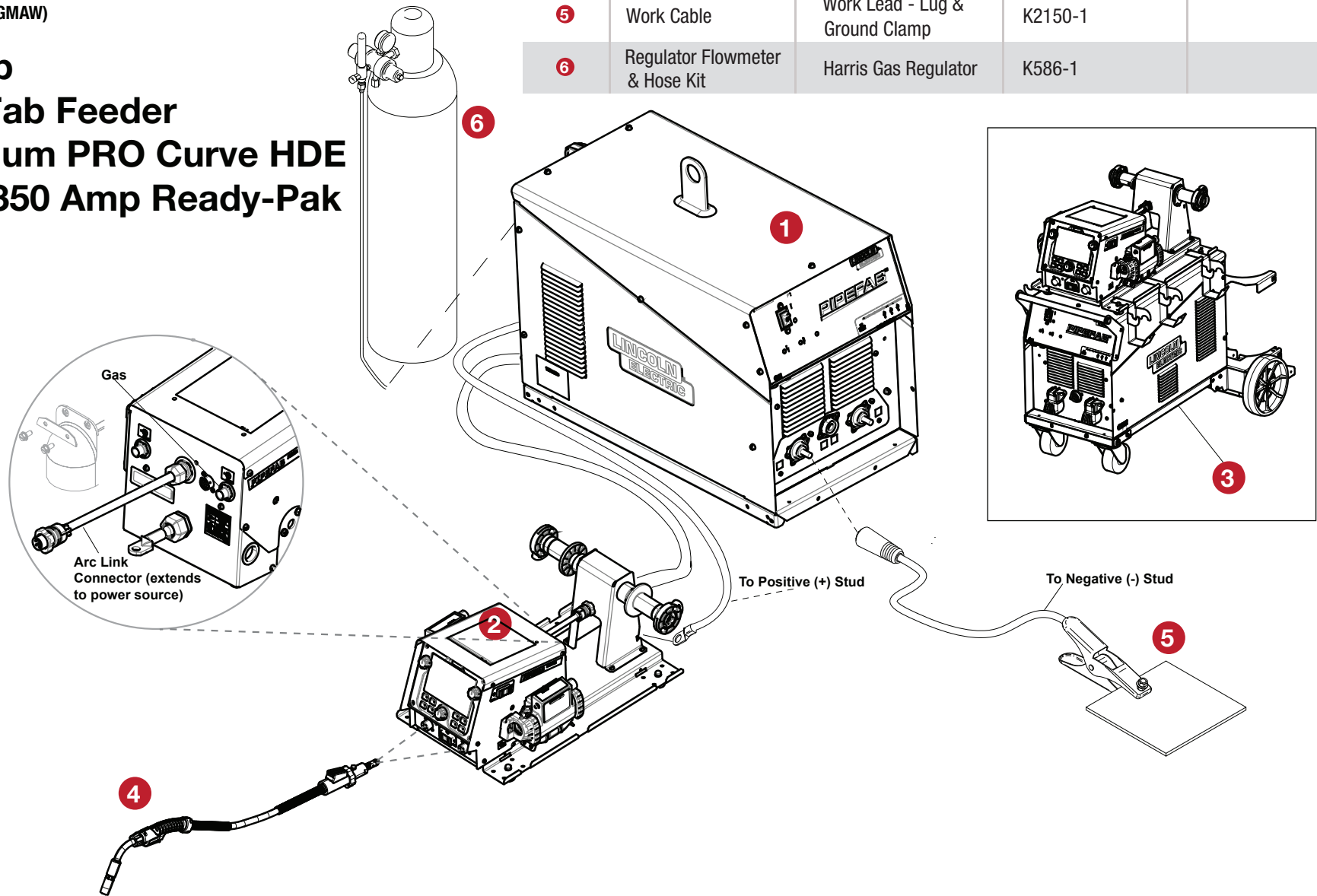
Adapter Water Pass Kit K590-6

WORK & Wire Feeder 2/0 Cable Package K1803-2

	ITEM	DESC.	#K	NOTES
1	Machine	PipeFab	K3731-1	
2	Feeder	PipeFab Feeder	K3735-1	
3	Cart (Shown Assembled)	PipeFab Dual Bottle Undercarriage	K3736-1	
4	Gun	Magnum PRO Curve HDE	K4531-2-10-45 or K4532-2-10-45	250A or 350A
5	Work Cable	Work Lead - Lug & Ground Clamp	K2150-1	
6	Regulator Flowmeter & Hose Kit	Harris Gas Regulator	K586-1	

MIG (GMAW)

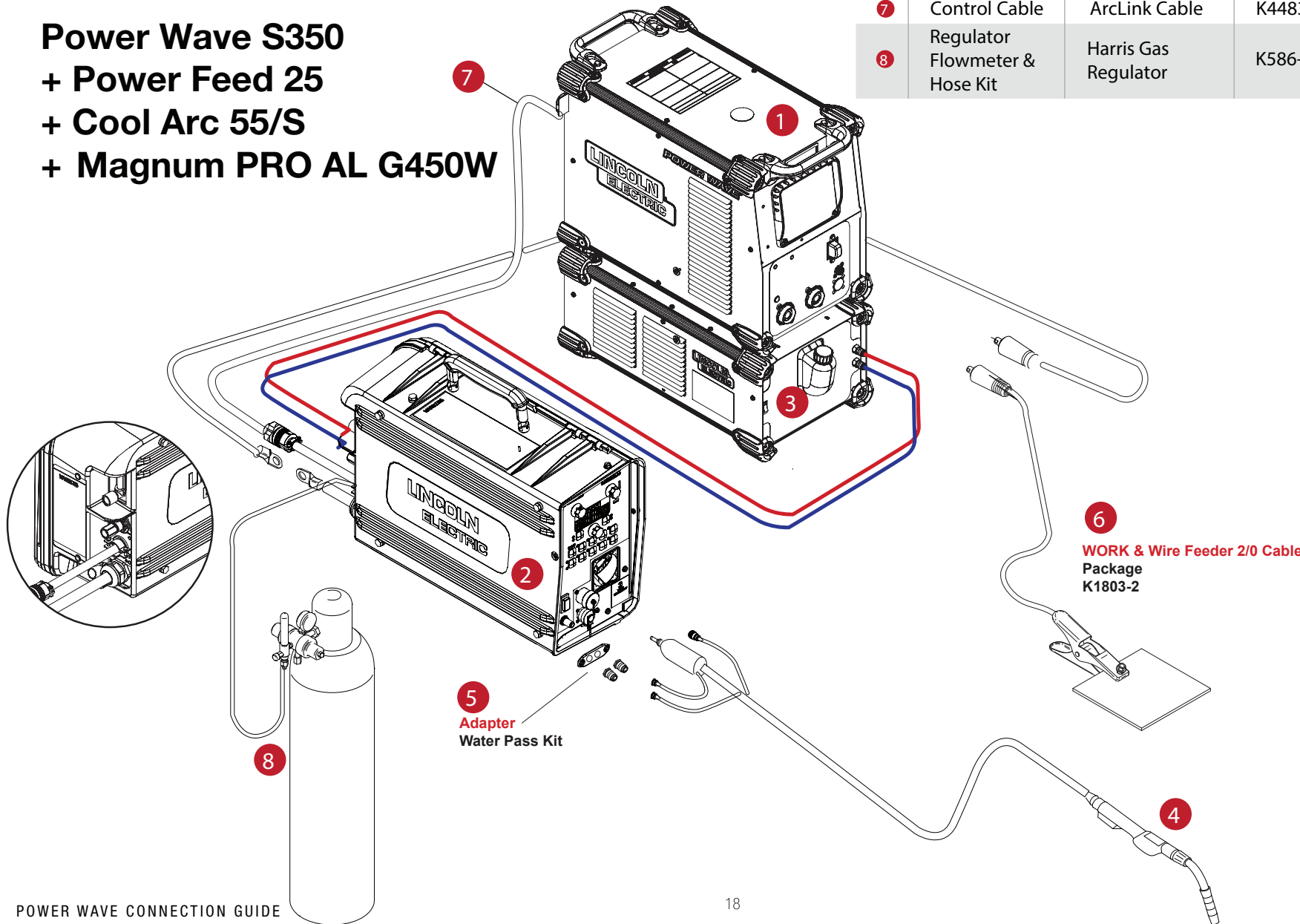
PipeFab + PipeFab Feeder + Magnum PRO Curve HDE 250 or 350 Amp Ready-Pak



MIG (GMAW)

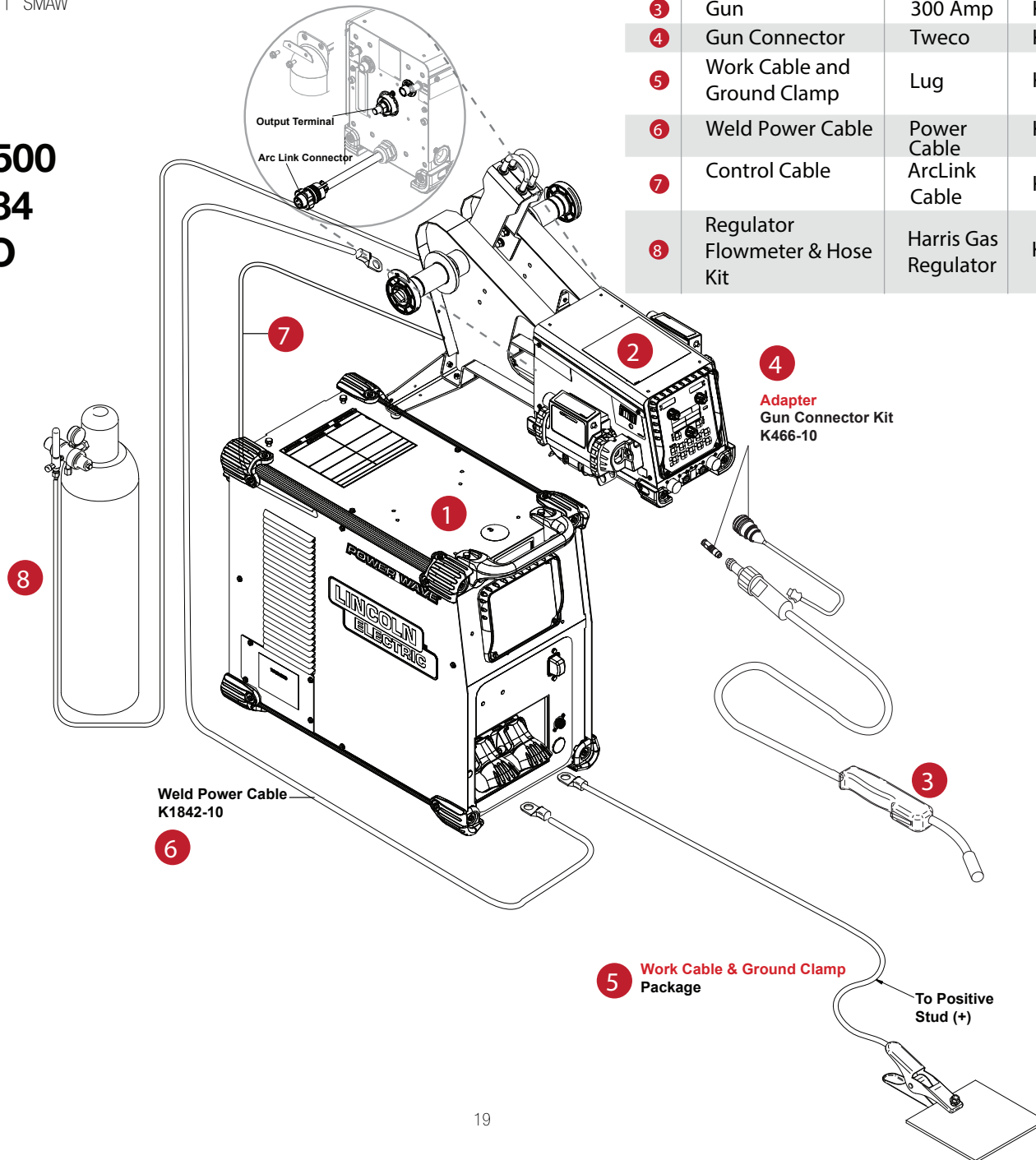
Power Wave S350 + Power Feed 25 + Cool Arc 55/S + Magnum PRO AL G450W

	ITEM	DESC.	K#	NOTE
1	Machine	S350	K2823-3	
2	Feeder	PF -25M	K2536-X	
3	Cooler	Cool Arc 55/S	K3086-1-2	
4	Gun	450 amp	K4798-X	12 Pin
5	Adapter	Water Pass Kit	K590-6	
6	Work Cable	Tweco	K1803-2	
7	Control Cable	ArcLink Cable	K4483-XX	
8	Regulator Flowmeter & Hose Kit	Harris Gas Regulator	K586-1	



MIG (GMAW)

Power Wave S500 + Power Feed 84 + Magnum PRO 300 Amp



	ITEM	DESC.	K#	NOTE
1	Machine	S500	K2904-1	
2	Feeder	PF -84	K3328-X or K3330-X	
3	Gun	300 Amp	K2951-2-10-45	5-pin
4	Gun Connector	Tweco	K466-10	Noted
5	Work Cable and Ground Clamp	Lug	K2149-1	
6	Weld Power Cable	Power Cable	K1842-10	
7	Control Cable	ArcLink Cable	K4483-XX	
8	Regulator Flowmeter & Hose Kit	Harris Gas Regulator	K586-1	

4 Adapter
Gun Connector Kit
K466-10

6 Weld Power Cable
K1842-10

5 Work Cable & Ground Clamp
Package

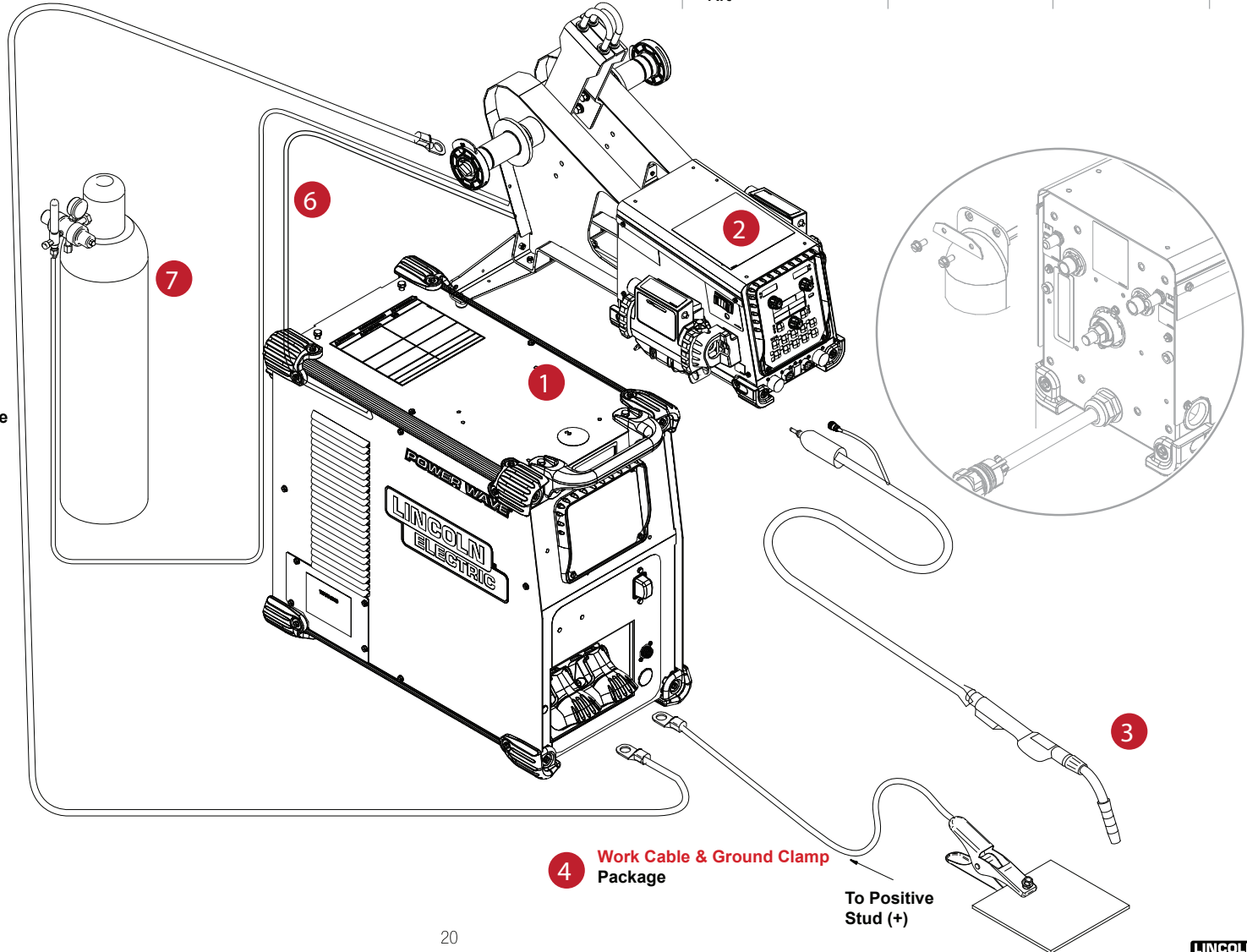
To Positive
Stud (+)

MIG (GMAW)

Power Wave S500 + Power Feed 84 + Magnum PRO AL G225A

	ITEM	DESC.	K#	NOTE
1	Machine	S500	K2904-1	
2	Feeder	PF -84	K3328-X or K3330-X	
3	Gun	Air Cooled	K4797-X	12-Pin
4	Work Cable and Ground Clamp	Lug	K2149-1	
5	Weld Power Cable	Power Cable	K1842-10	
6	Control Cable	ArcLink Cable	K4483-XX	
7	Regulator Flowmeter & Hose Kit	Harris Gas Regulator	K586-1	

5
Weld Power Cable
K1842-10

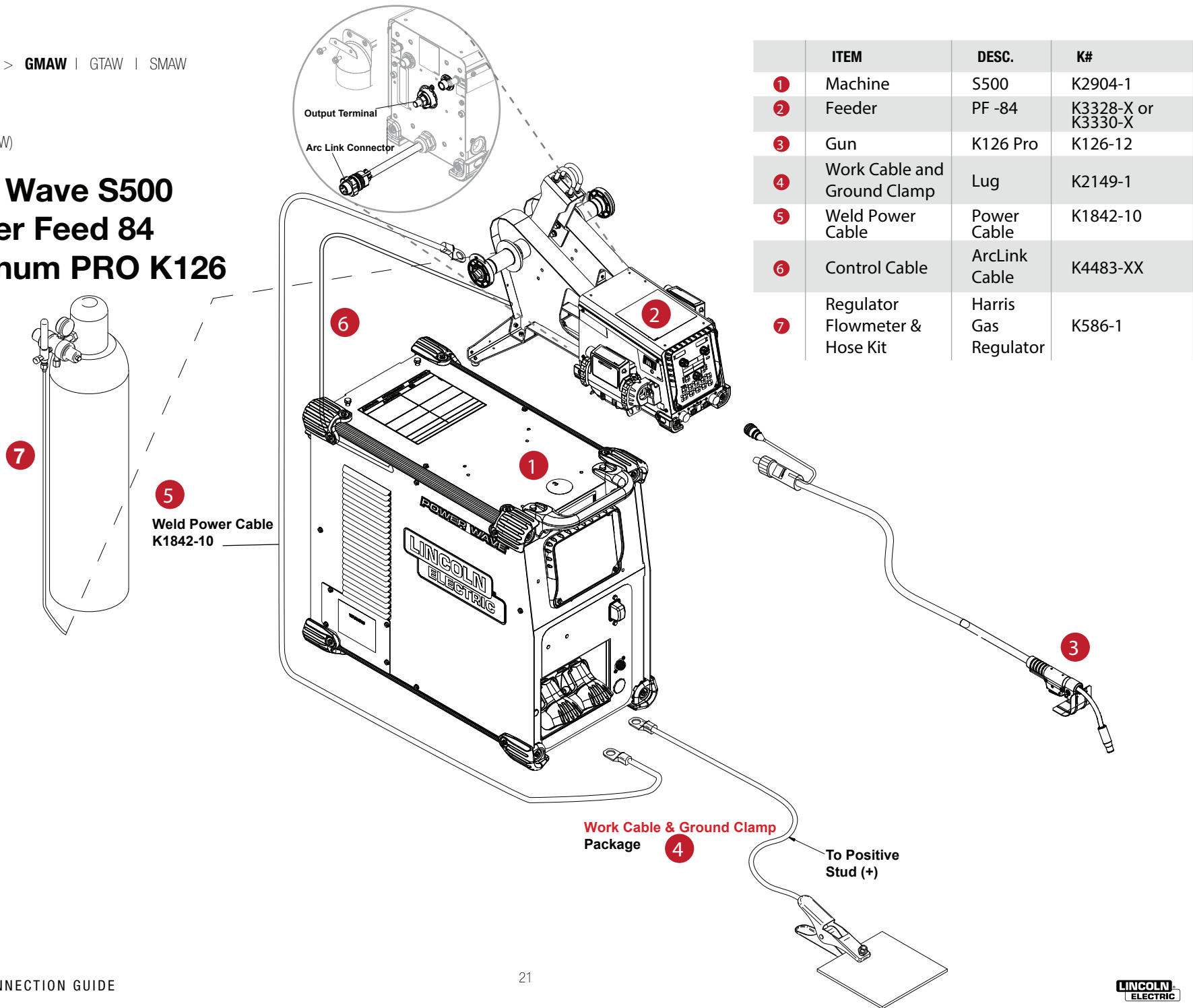


4 Work Cable & Ground Clamp
Package

To Positive
Stud (+)

MIG (GMAW)

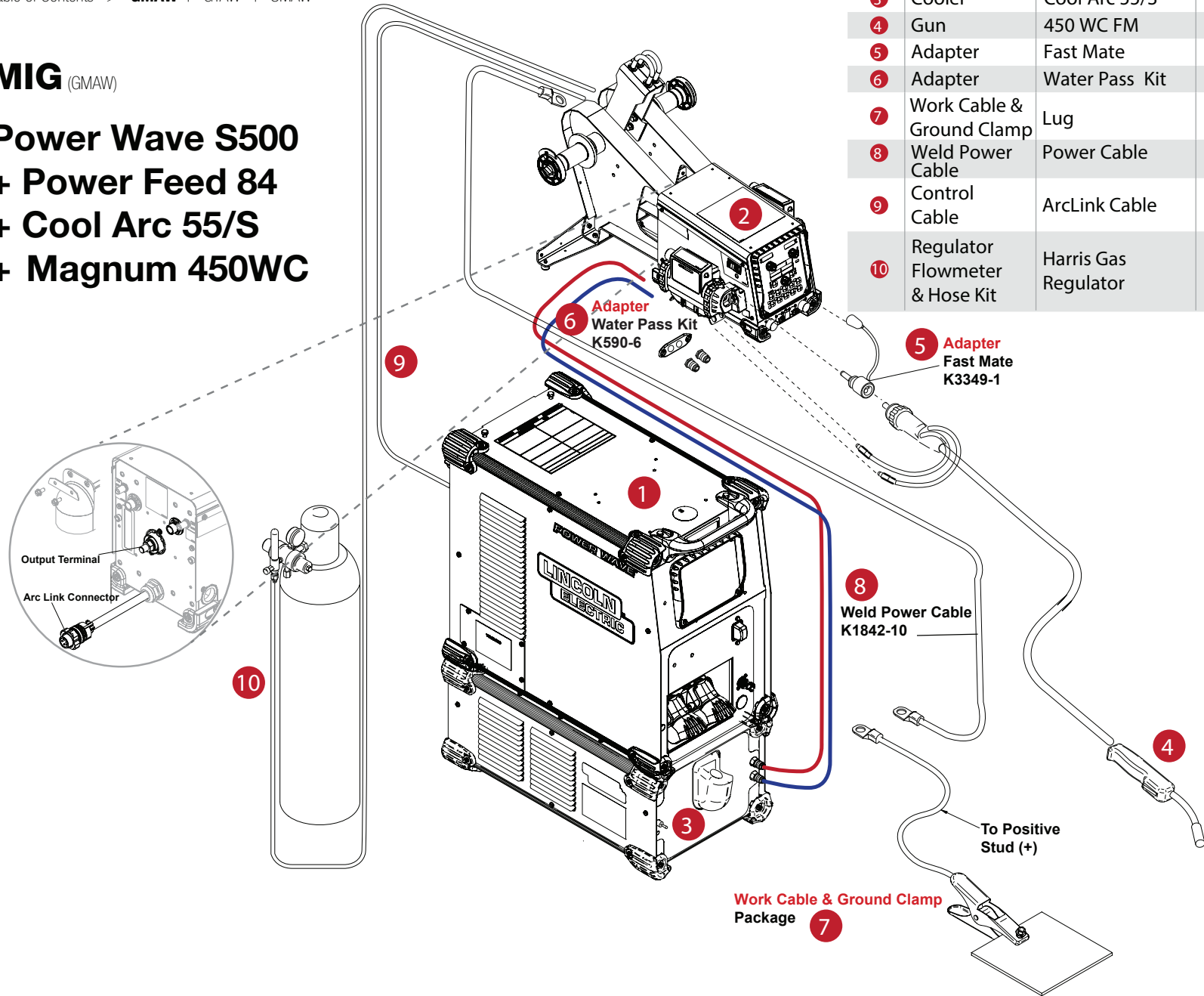
Power Wave S500 + Power Feed 84 + Magnum PRO K126



MIG (GMAW)

Power Wave S500 + Power Feed 84 + Cool Arc 55/S + Magnum 450WC

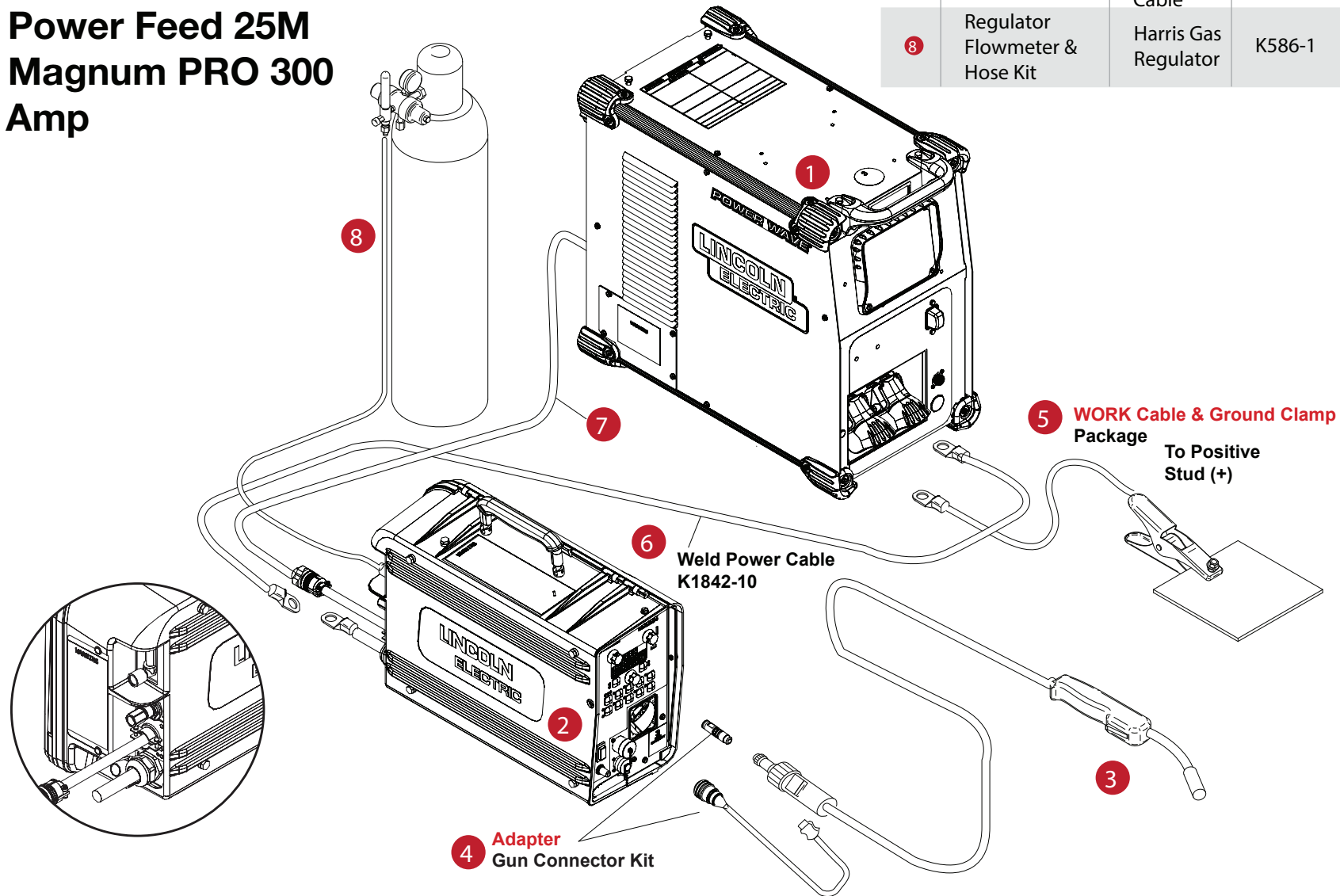
	ITEM	DESC.	K#	NOTE
1	Machine	S500	K2904-1	
2	Feeder	PF -84	K3328-X or K3330-X	
3	Cooler	Cool Arc 55/S	K3086-1-2	
4	Gun	450 WC FM	K684-12	Fast Mate
5	Adapter	Fast Mate	K3349-1	
6	Adapter	Water Pass Kit	K590-6	
7	Work Cable & Ground Clamp	Lug	K2149-1	
8	Weld Power Cable	Power Cable	K1842-10	
9	Control Cable	ArcLink Cable	K4483-XX	
10	Regulator Flowmeter & Hose Kit	Harris Gas Regulator	K586-1	



MIG (GMAW)

Power Wave S500 + Power Feed 25M + Magnum PRO 300 Amp

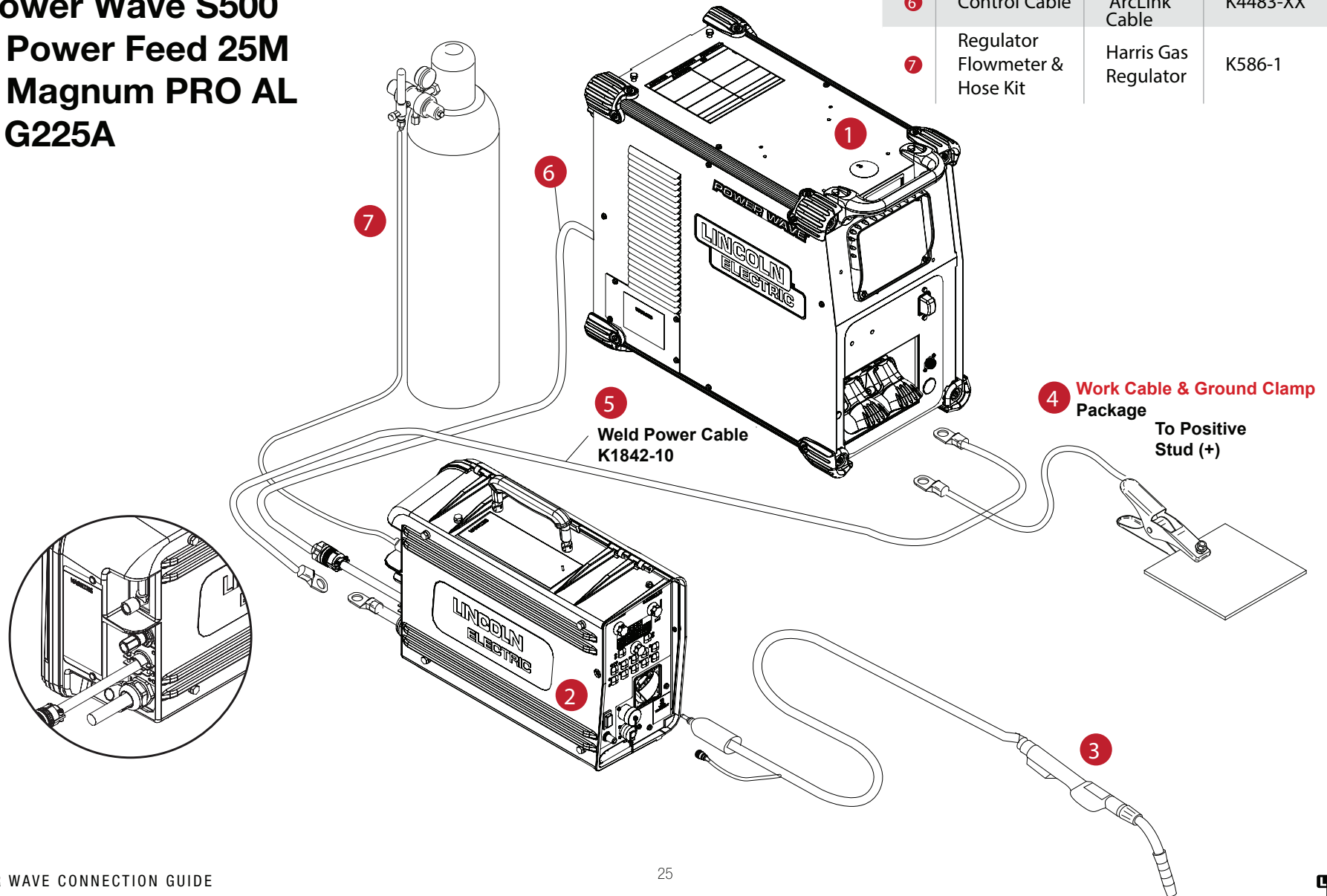
	ITEM	DESC.	K#	NOTE
1	Machine	S500	K2904-1	
2	Feeder	PF -25M	K2536-X	
3	Gun	300 Amp	K2951-2-10-45	5-pin
4	Gun Connector	Tweco	K466-10	Noted
5	Work Cable and Ground Clamp	Lug	K2149-1	
6	Weld Power Cable	Power Cable	K1842-10	
7	Control Cable	ArLink Cable	K4483-XX	
8	Regulator Flowmeter & Hose Kit	Harris Gas Regulator	K586-1	



MIG (GMAW)

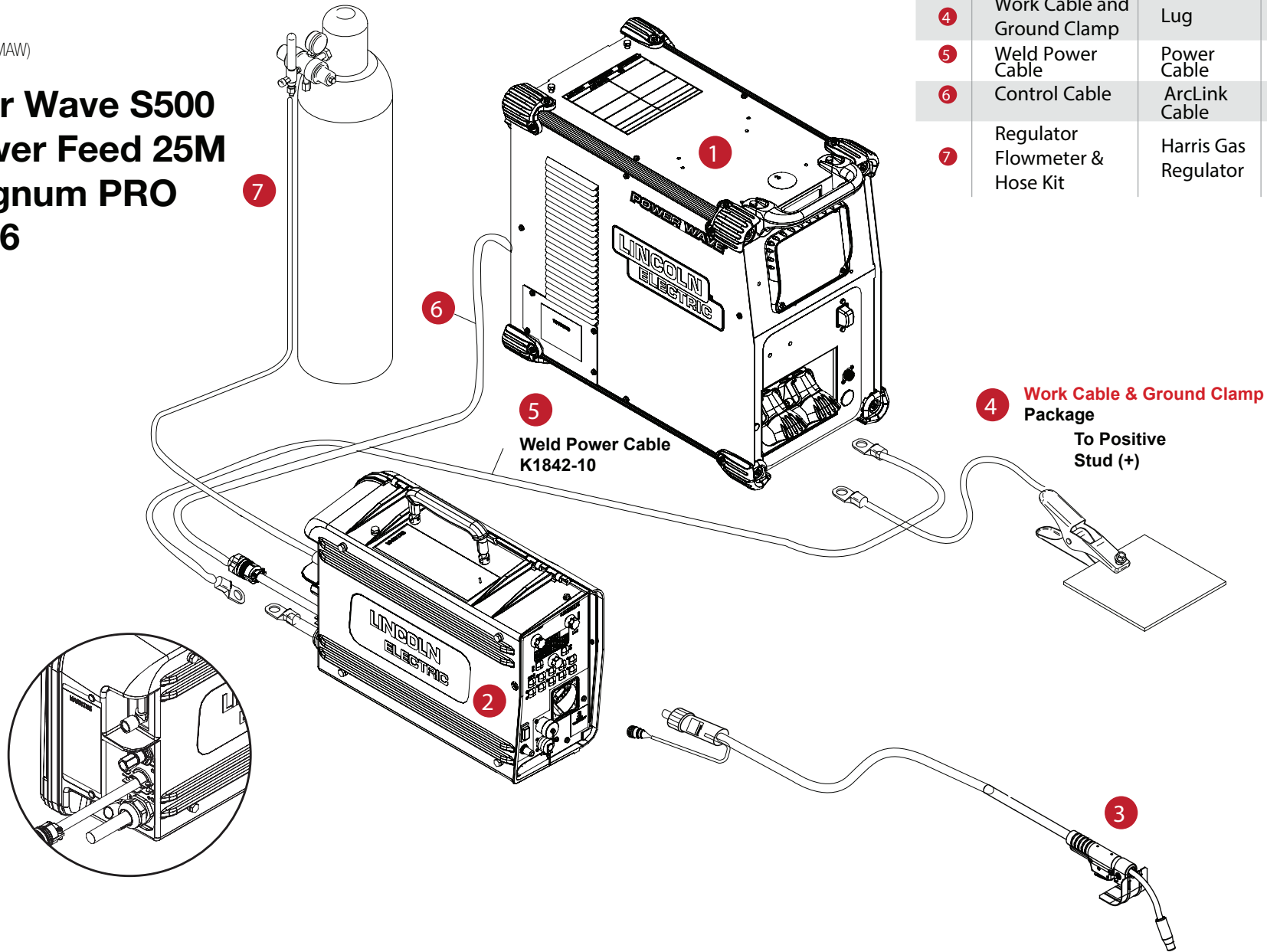
Power Wave S500 + Power Feed 25M + Magnum PRO AL G225A

	ITEM	DESC.	K#	NOTE
1	Machine	S500	K2904-1	
2	Feeder	PF -25M	K2536-X	
3	Gun	Air Cooled	K4797-X	12-Pin
4	Work Cable and Ground Clamp	Lug	K2149-1	
5	Weld Power Cable	Power Cable	K1842-10	
6	Control Cable	ArcLink Cable	K4483-XX	
7	Regulator Flowmeter & Hose Kit	Harris Gas Regulator	K586-1	



MIG (GMAW)

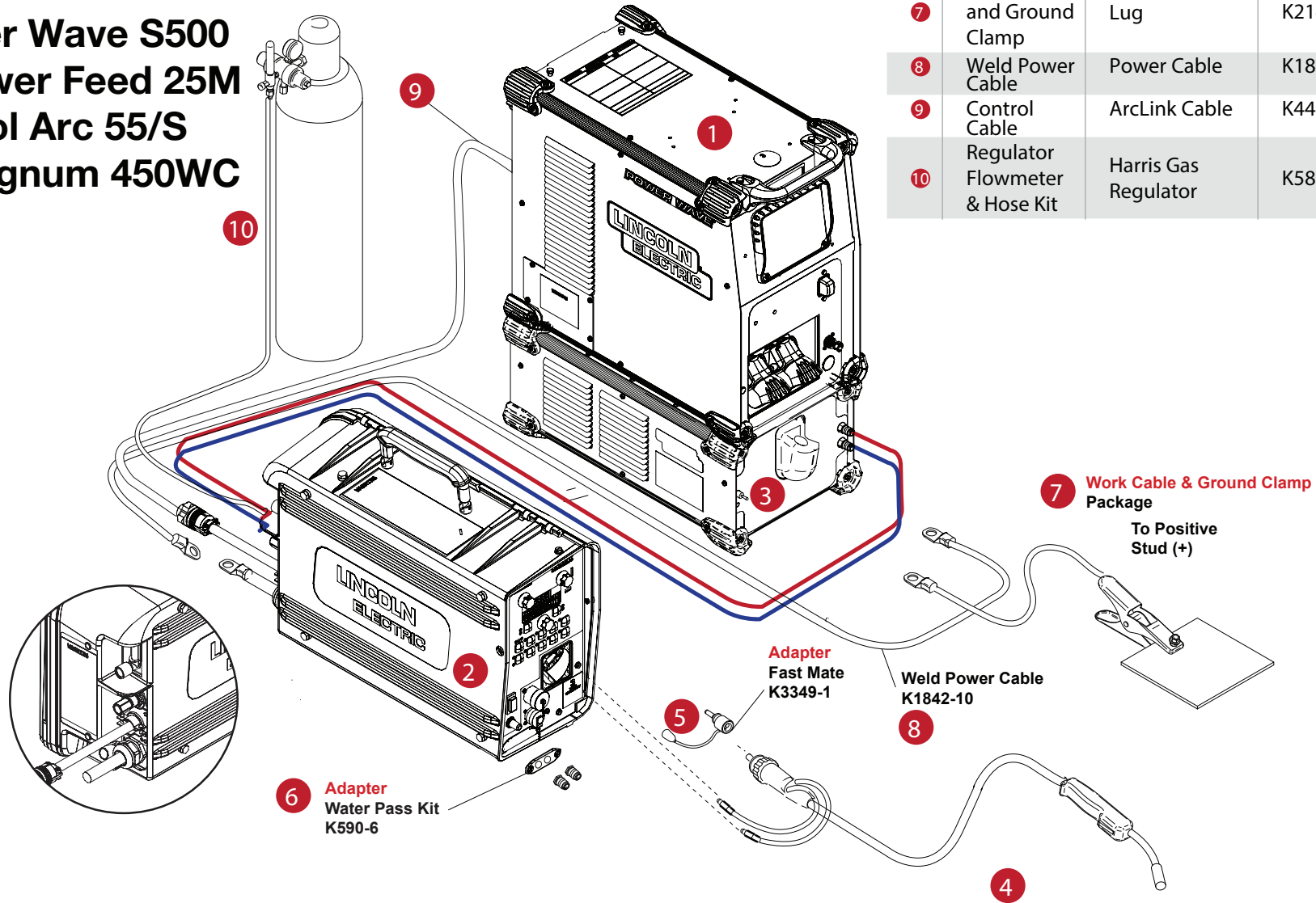
Power Wave S500 + Power Feed 25M + Magnum PRO K126



	ITEM	DESC.	K#
1	Machine	S500	K2904-1
2	Feeder	PF -25M	K2536-X
3	Gun	K126 Pro	K126-12
4	Work Cable and Ground Clamp	Lug	K2149-1
5	Weld Power Cable	Power Cable	K1842-10
6	Control Cable	ArcLink Cable	K4483-XX
7	Regulator Flowmeter & Hose Kit	Harris Gas Regulator	K586-1

MIG (GMAW)

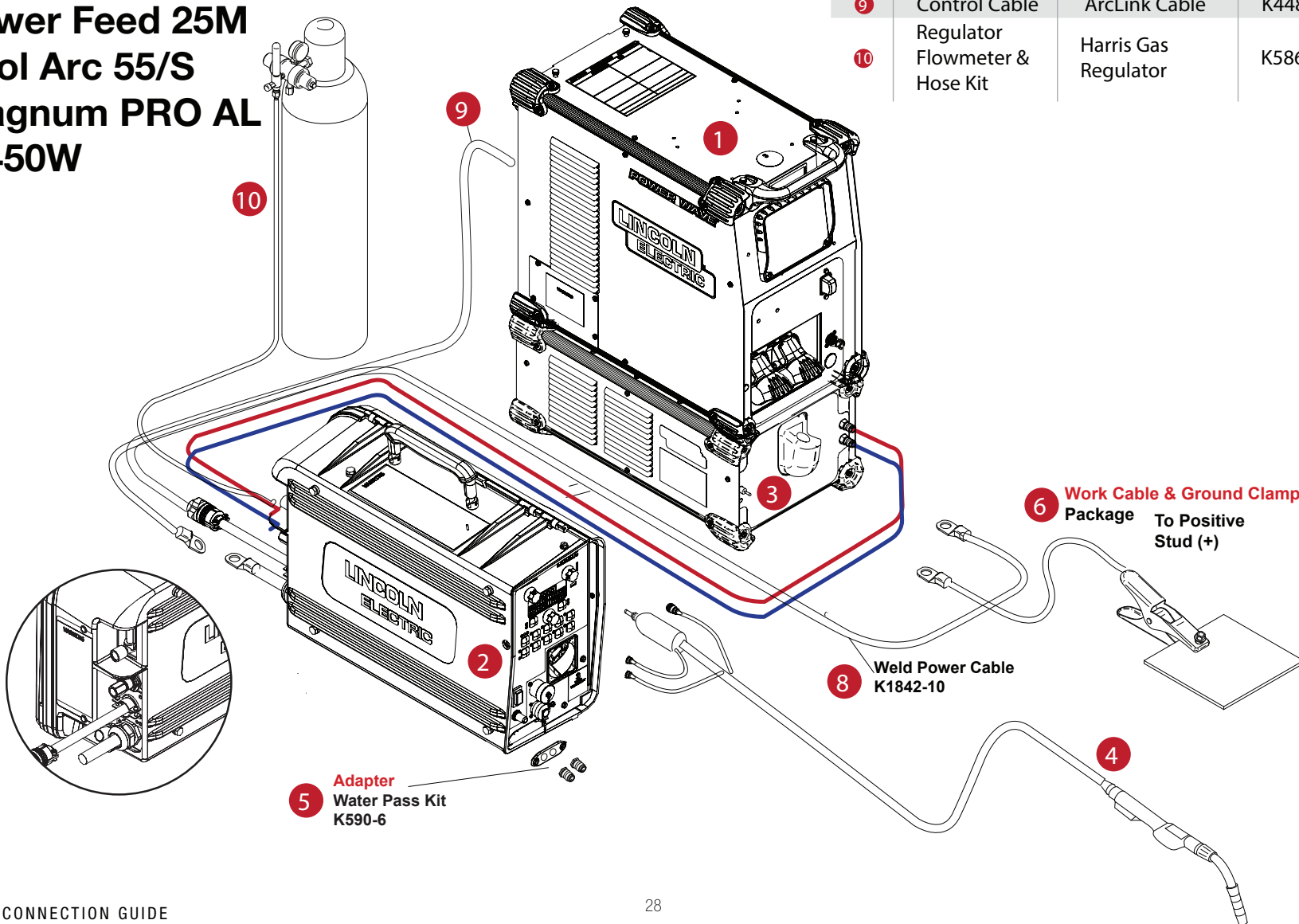
Power Wave S500 + Power Feed 25M + Cool Arc 55/S + Magnum 450WC



	ITEM	DESC.	K#	NOTE
1	Machine	S500	K2904-1	
2	Feeder	PF -25M	K2536-X	
3	Cooler	Cool Arc 55/S	K3086-1 or -2	
4	Gun	450 WC FM	K684-12	Fast Mate
5	Adapter	Fast Mate	K3349-1	
6	Adapter	Water Pass Kit	K590-6	
7	Work Cable and Ground Clamp	Lug	K2149-1	
8	Weld Power Cable	Power Cable	K1842-10	
9	Control Cable	ArcLink Cable	K4483-XX	
10	Regulator Flowmeter & Hose Kit	Harris Gas Regulator	K586-1	

MIG (GMAW)

Power Wave S500 + Power Feed 25M + Cool Arc 55/S + Magnum PRO AL G450W



	ITEM	DESC.	K#	NOTE
1	Machine	S500	K2904-1	
2	Feeder	PF -25M	K2536-X	
3	Cooler	Cool Arc 55/S	K3086-1-2	
4	Gun	450 amp	K4798-X	12 Pin
5	Adapter	Water Pass Kit	K590-6	
6	Work Cable and Ground Clamp	Lug	K2149-1	
8	Weld Power Cable	Power Cable	K1842-10	
9	Control Cable	ArcLink Cable	K4483-XX	
10	Regulator Flowmeter & Hose Kit	Harris Gas Regulator	K586-1	

5 Adapter
Water Pass Kit
K590-6

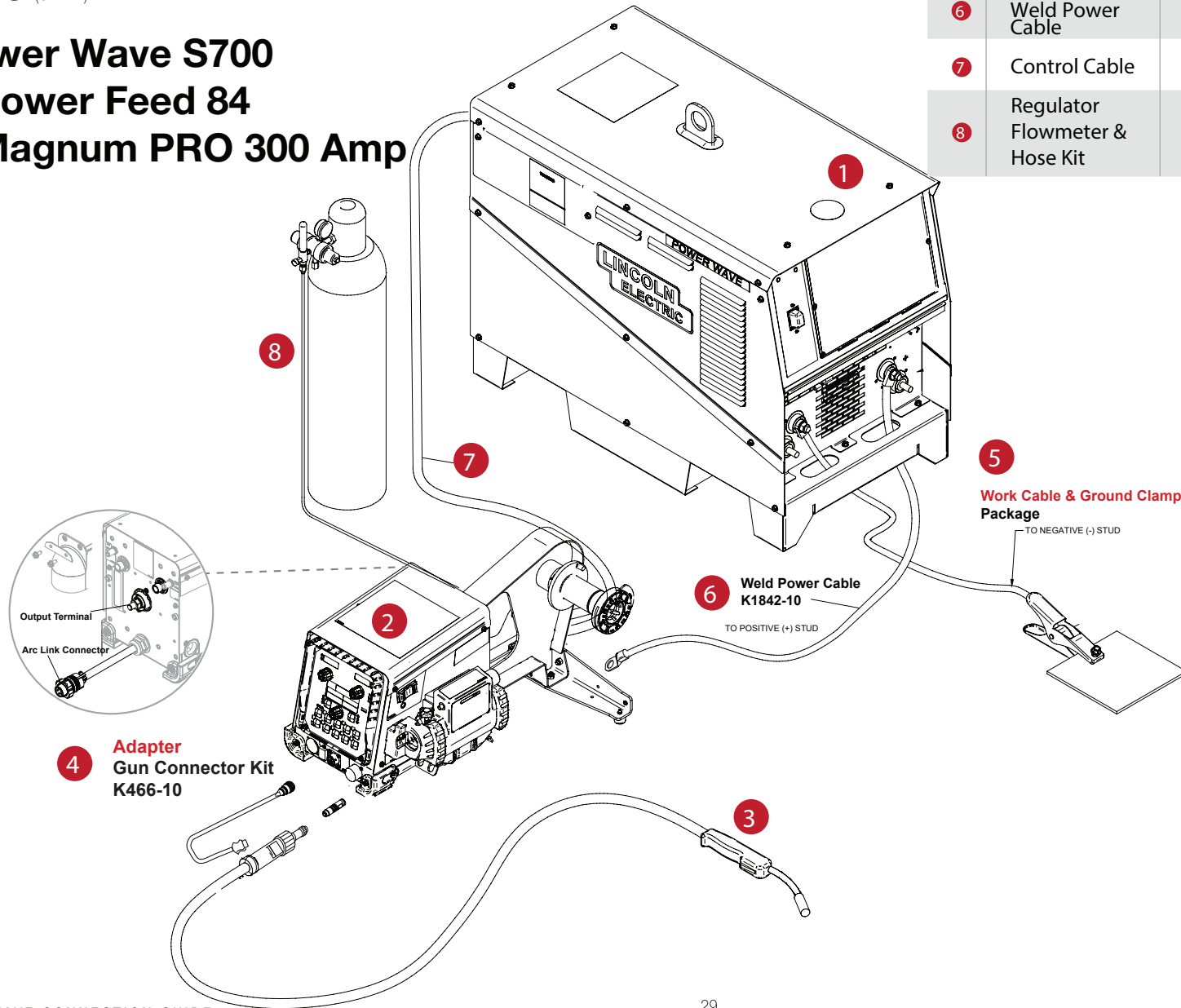
6 Work Cable & Ground Clamp
Package
To Positive
Stud (+)

8 Weld Power Cable
K1842-10

MIG (GMAW)

Power Wave S700 + Power Feed 84 + Magnum PRO 300 Amp

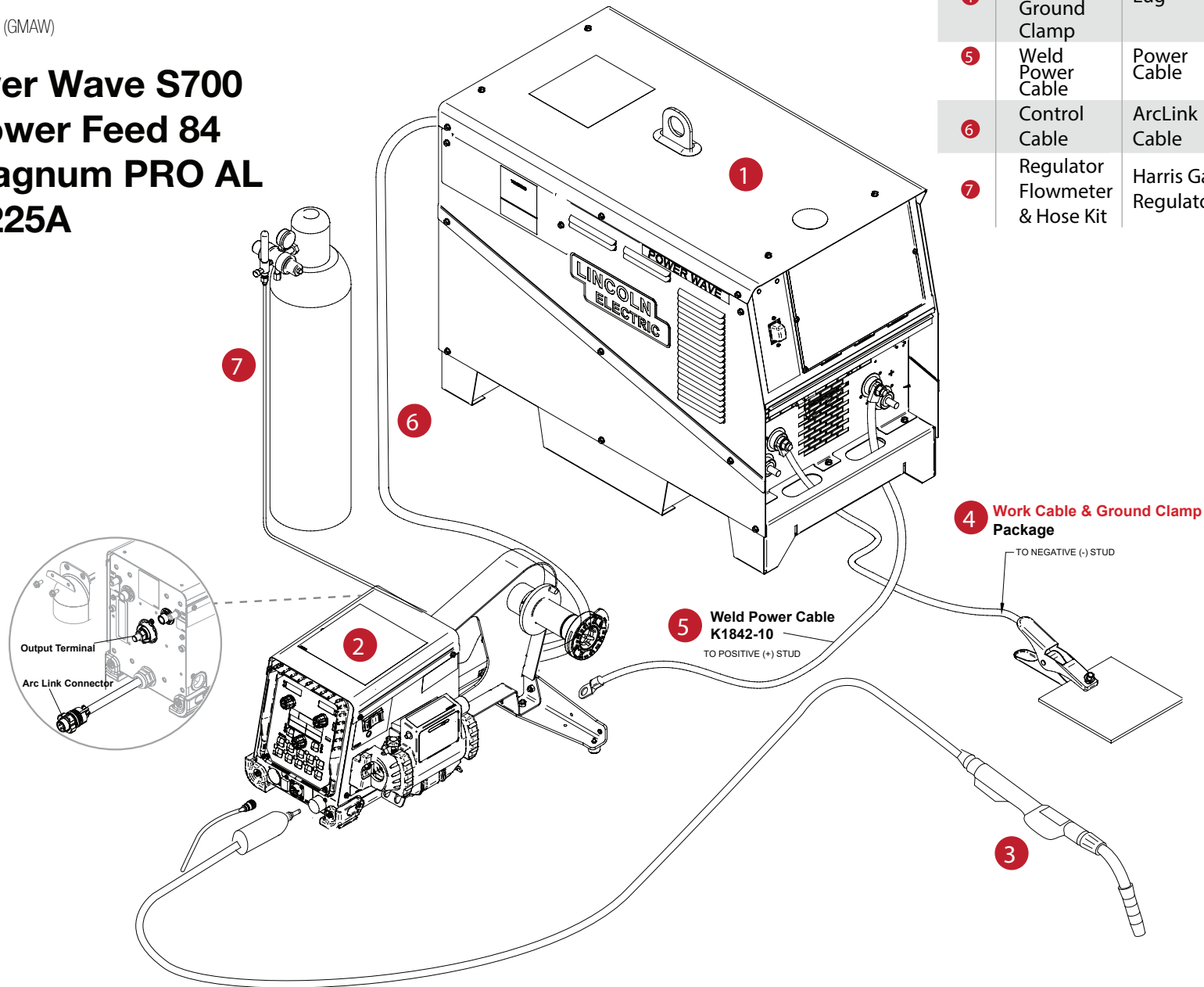
	ITEM	DESC.	K#	NOTE
1	Machine	S700	K3279-1	
2	Feeder	PF -84	K3328-X or K3330-X	
3	Gun	300 Amp	K2951-2-10-45	5-pin
4	Gun Connector	Tweco	K466-10	Noted
5	Work Cable and Ground Clamp	Lug	K2149-1	
6	Weld Power Cable	Power Cable	K1842-10	
7	Control Cable	ArcLink Cable	K4483-XX	
8	Regulator Flowmeter & Hose Kit	Harris Gas Regulator	K586-1	



MIG (GMAW)

Power Wave S700 + Power Feed 84 + Magnum PRO AL G225A

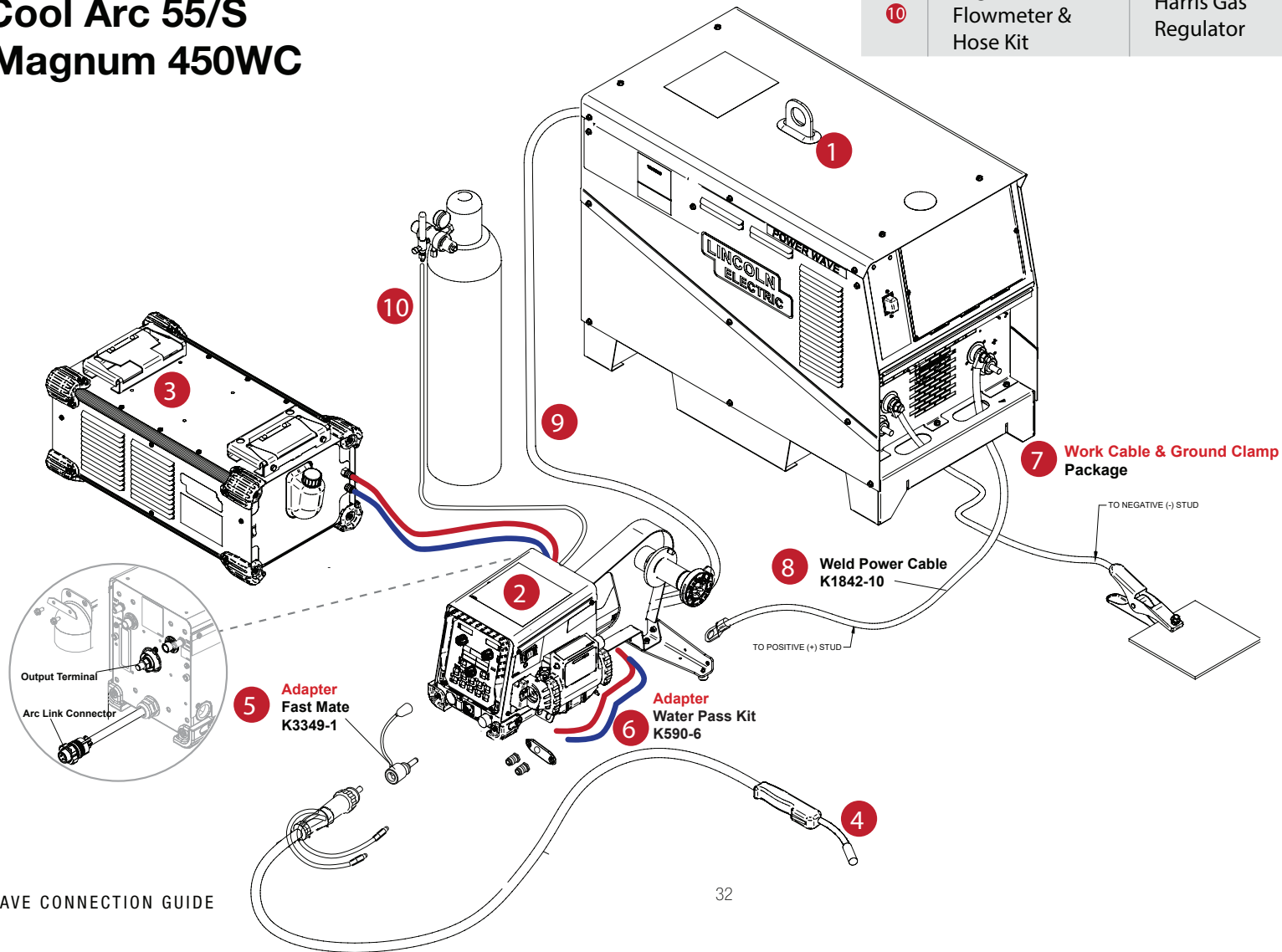
	ITEM	DESC.	K#	NOTE
1	Machine	S700	K3279-1	
2	Feeder	PF -84	K3328-X or K3330-X	
3	Gun	Air Cooled	K4797-X	12-Pin
4	Work Cable and Ground Clamp	Lug	K2149-1	
5	Weld Power Cable	Power Cable	K1842-10	
6	Control Cable	ArcLink Cable	K4483-XX	
7	Regulator Flowmeter & Hose Kit	Harris Gas Regulator	K586-1	



MIG (GMAW)

Power Wave S700 + Power Feed 84 + Cool Arc 55/S + Magnum 450WC

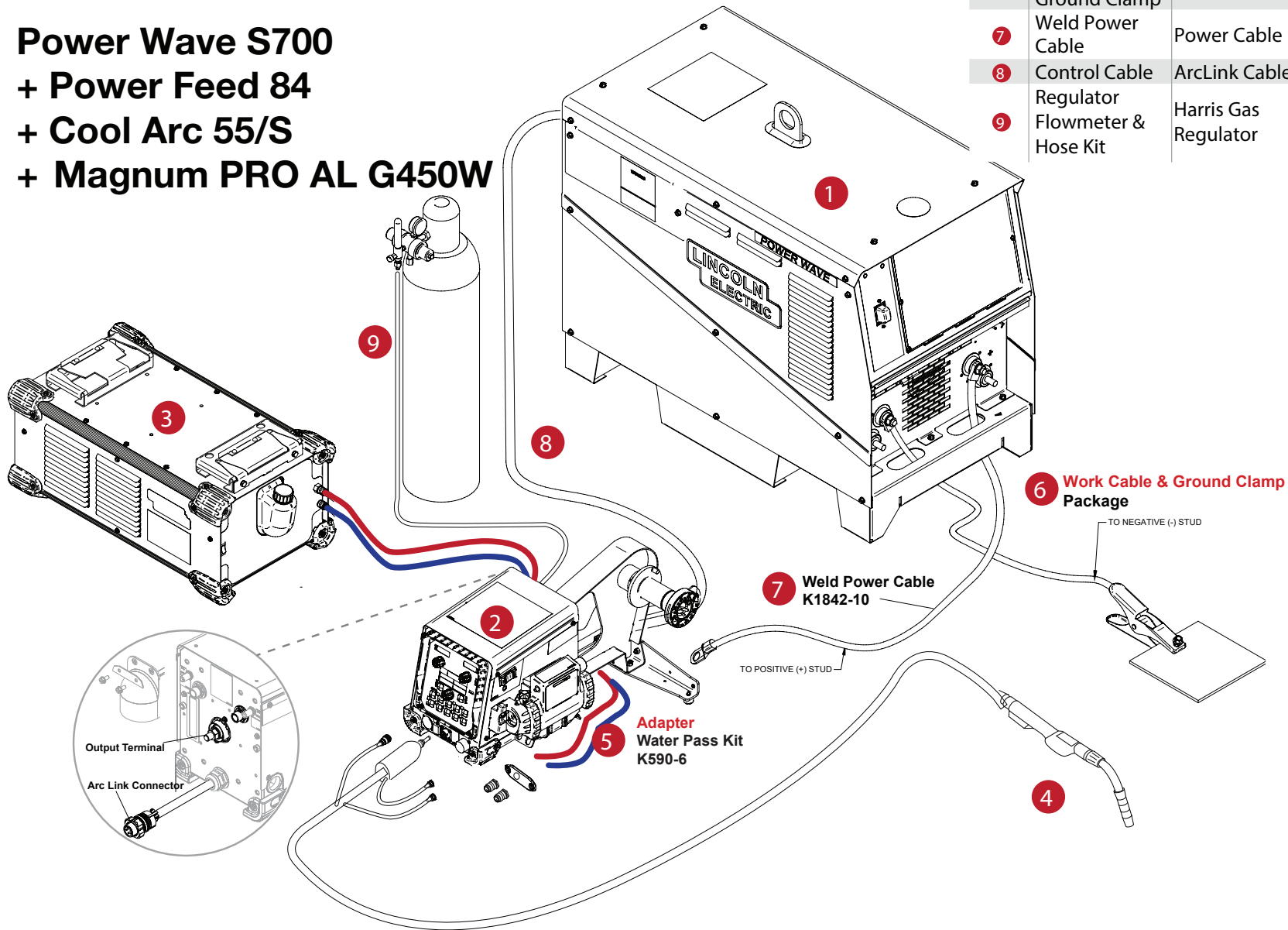
	ITEM	DESC.	K#	NOTE
1	Machine	S700	K3279-1	
2	Feeder	PF -84	K3328-X or K3330-X	
3	Cooler	Cool Wave 20S	K4713-1	
4	Gun	450 WC FM	K684-12	Fast Mate
5	Adapter	Fast Mate	K3349-1	
6	Adapter	Water Pass Kit	K590-6	
7	Work Cable and Ground Clamp	Lug	K2149-1	
8	Weld Power Cable	Power Cable	K1842-10	
9	Control Cable	ArcLink Cable	K4483-XX	
10	Regulator Flowmeter & Hose Kit	Harris Gas Regulator	K586-1	



MIG (GMAW)

Power Wave S700 + Power Feed 84 + Cool Arc 55/S + Magnum PRO AL G450W

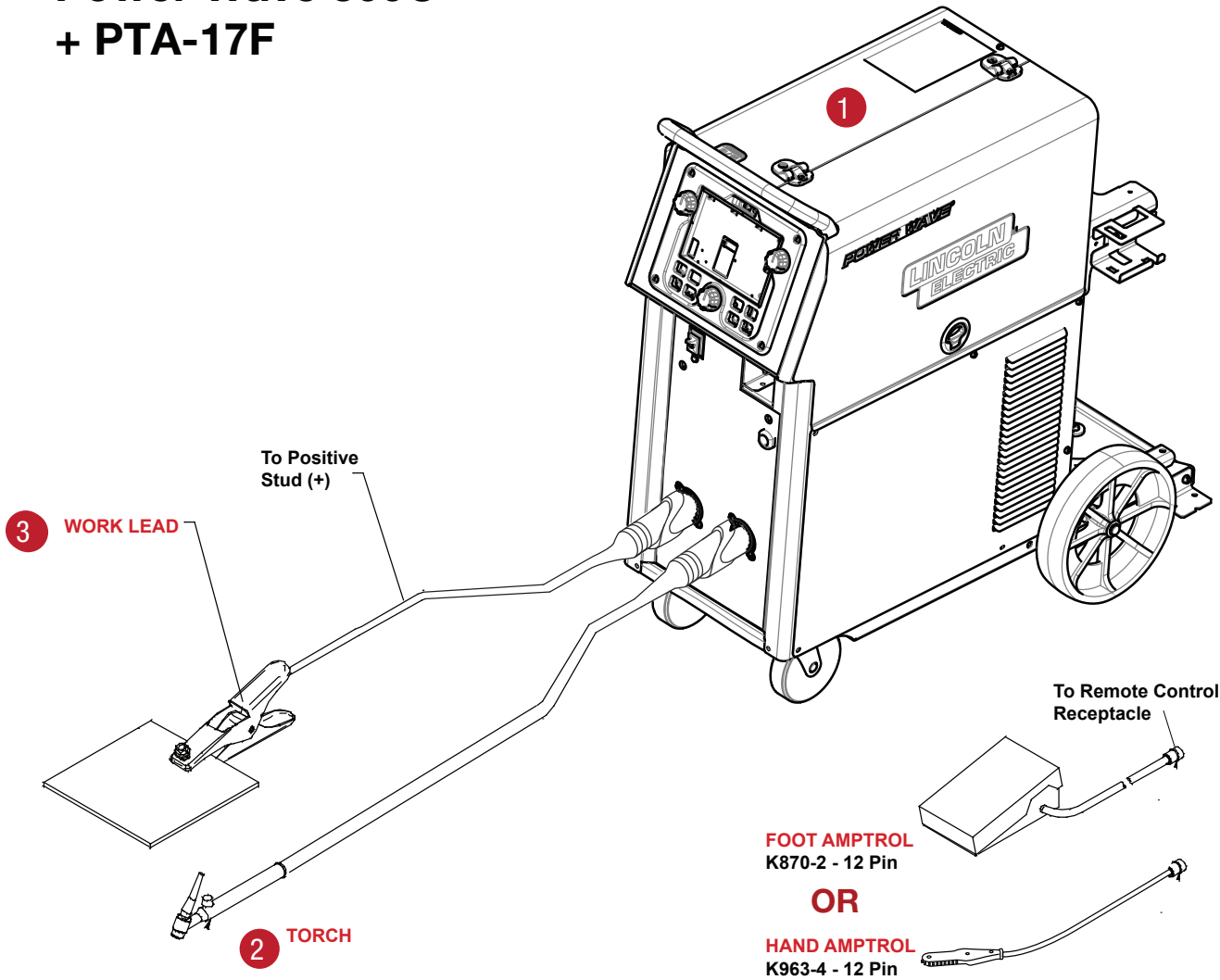
	ITEM	DESC.	K#	NOTE
1	Machine	S700	K3279-1	
2	Feeder	PF -84	K3328-X or K3330-X	
3	Cooler	Cool Wave 20S	K4713-1	
4	Gun	450 amp	K4798-X	12 Pin
5	Adapter	Water Pass Kit	K590-6	
6	Work Cable and Ground Clamp	Lug	K2149-1	
7	Weld Power Cable	Power Cable	K1842-10	
8	Control Cable	ArcLink Cable	K4483-XX	
9	Regulator Flowmeter & Hose Kit	Harris Gas Regulator	K586-1	



TIG (GTAW)

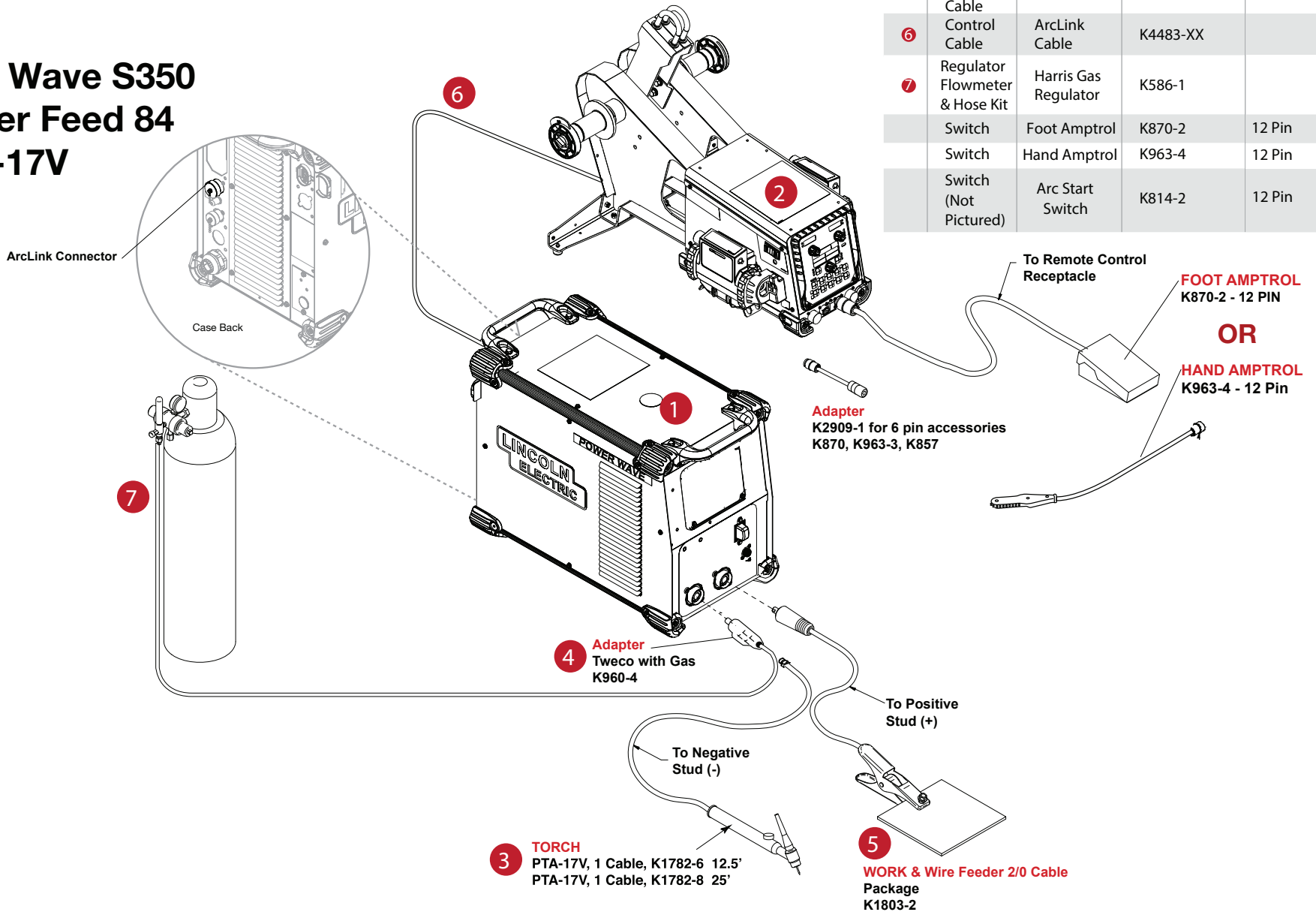
Power Wave 300C + PTA-17F

	ITEM	DESC.	K#	NOTES
1	Machine	300C	K4487-1 or K4488-1	
2	Torch	PTA-17F	K1782-14	
3	Work Cable	TwistMate		
	Switch	Foot Amptrol	K870-2	12 Pin
	Switch	Hand Amptrol	K963-4	12 Pin
	Switch (not pictured)	Arc Start Switch	K814-2	12 Pin



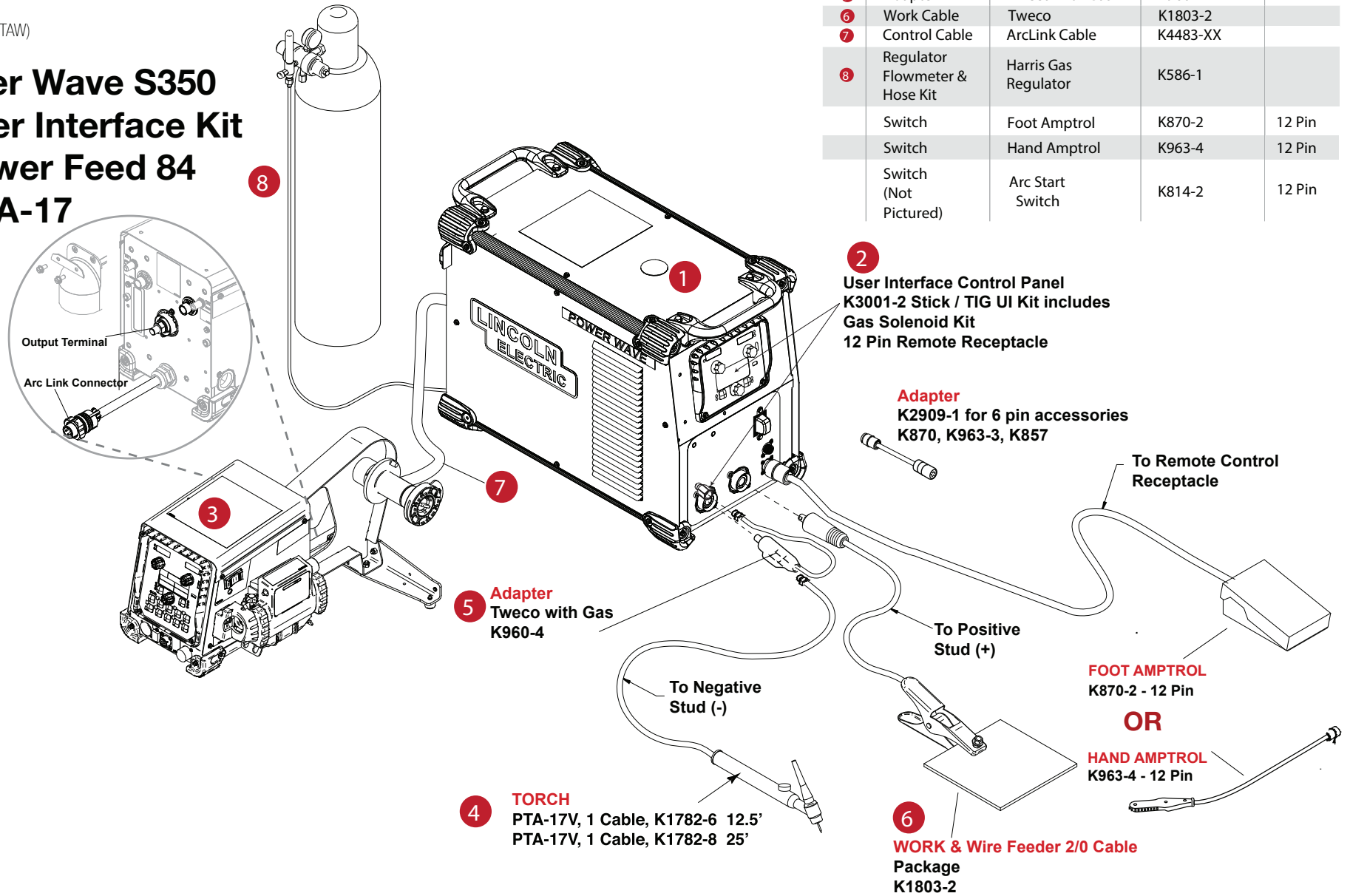
TIG (GTAW)

Power Wave S350 + Power Feed 84 + PTA-17V



TIG (GTAW)

Power Wave S350 + User Interface Kit + Power Feed 84 + PTA-17

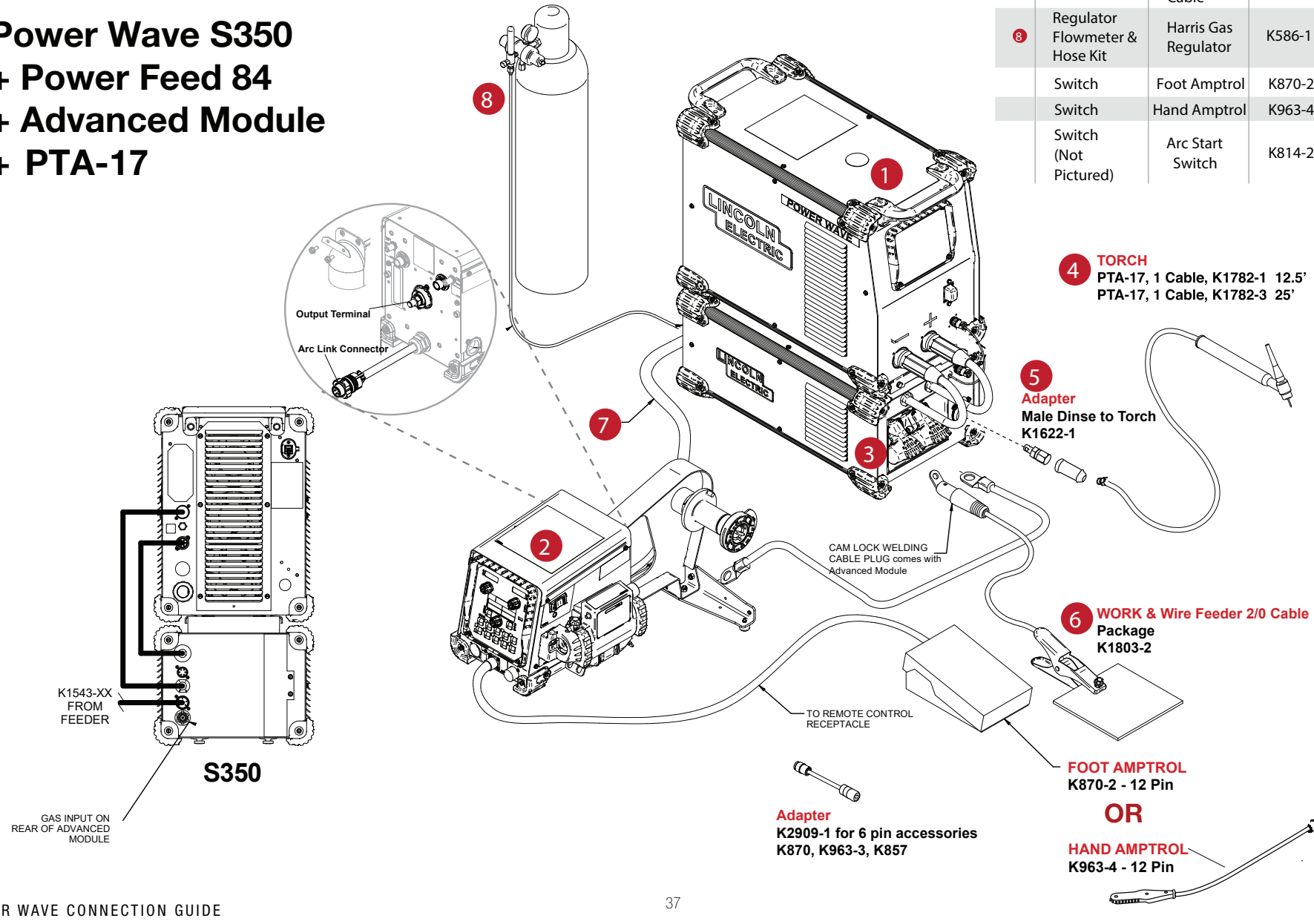


ITEM	DESC.	K#	NOTES	
1	Machine	S350	K2823-3	
2	U/I	Interface & Solenoid	K3001-2	
3	Feeder	PF -84	K3328-X or K3330-X	
4	Torch	PTA-17	K1782-1/3	
5	Adapter	Tweco with Gas	K960-4	
6	Work Cable	Tweco	K1803-2	
7	Control Cable	ArcLink Cable	K4483-XX	
8	Regulator Flowmeter & Hose Kit	Harris Gas Regulator	K586-1	
	Switch	Foot Amptrol	K870-2	12 Pin
	Switch	Hand Amptrol	K963-4	12 Pin
	Switch (Not Pictured)	Arc Start Switch	K814-2	12 Pin

TIG (GTAW)

Power Wave S350 + Power Feed 84 + Advanced Module + PTA-17

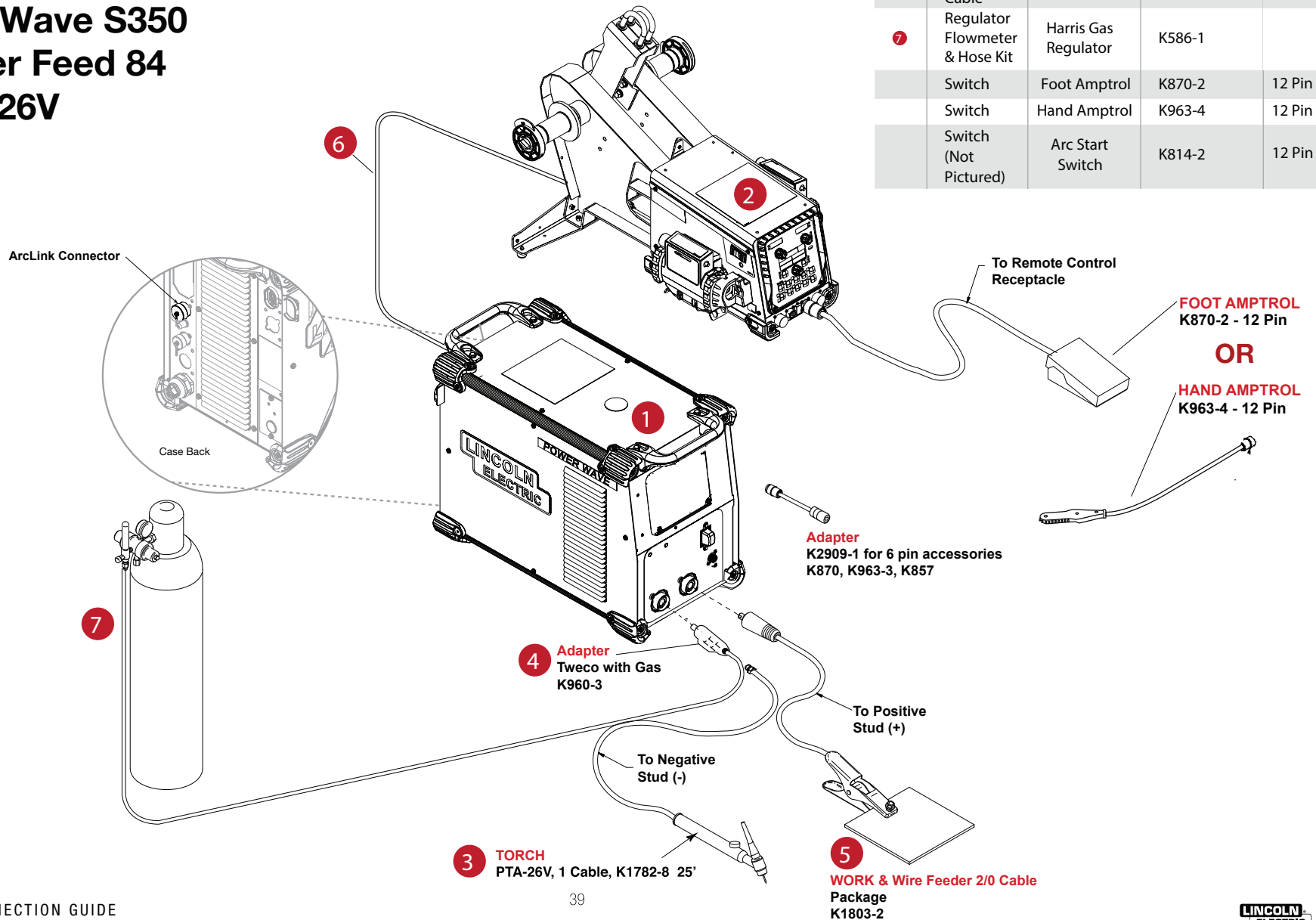
	ITEM	DESC.	K#	NOTES
1	Machine	S350	K2823-3	
2	Feeder	PF-84	K3328-X or K3330-X	
3	Module	Advanced Module	K2912-1	
4	Torch	PTA-17	K1782-1/3	
5	Adapter	Twist Mate	K1622-1	
6	Work Cable	Tweco	K1803-2	
7	Control Cable	ArcLink Cable	K4483-XX	
8	Regulator Flowmeter & Hose Kit	Harris Gas Regulator	K586-1	
	Switch	Foot Amptrol	K870-2	12 Pin
	Switch	Hand Amptrol	K963-4	12 Pin
	Switch (Not Pictured)	Arc Start Switch	K814-2	12 Pin



TIG (GTAW)

Power Wave S350 + Power Feed 84 + PTA-26V

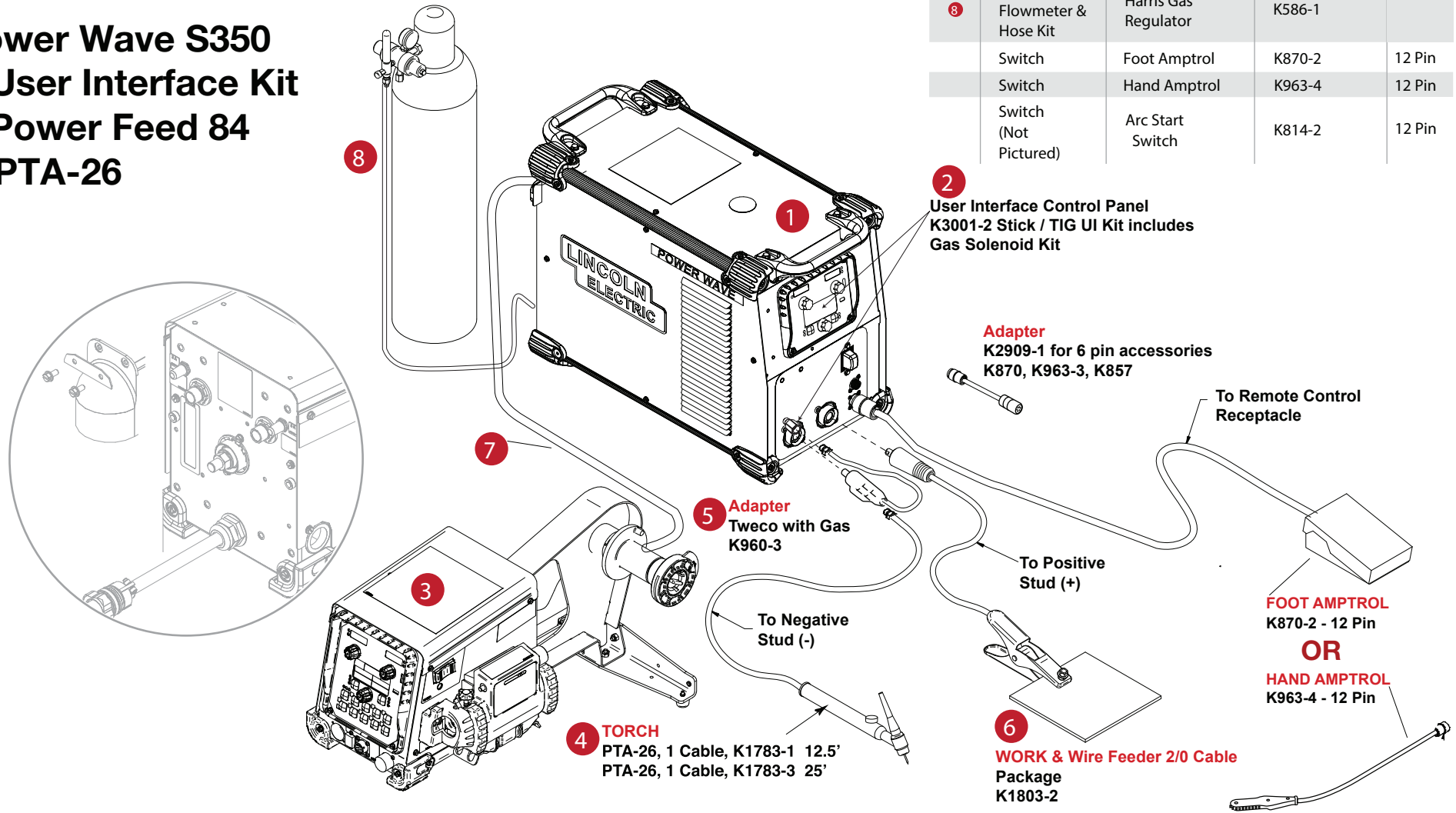
	ITEM	DESC.	K#	NOTES
1	Machine	S350	K2823-3	
2	Feeder	PF -84	K3328-X or K3330-X	
3	Torch	PTA-26V	K1783-8	
4	Adapter	Tweco with Gas	K960-3	
5	Work Cable	Tweco	K1803-2	
6	Control Cable	ArcLink Cable	K4483-XX	
7	Regulator Flowmeter & Hose Kit	Harris Gas Regulator	K586-1	
	Switch	Foot Amptrol	K870-2	12 Pin
	Switch	Hand Amptrol	K963-4	12 Pin
	Switch (Not Pictured)	Arc Start Switch	K814-2	12 Pin



TIG (GTAW)

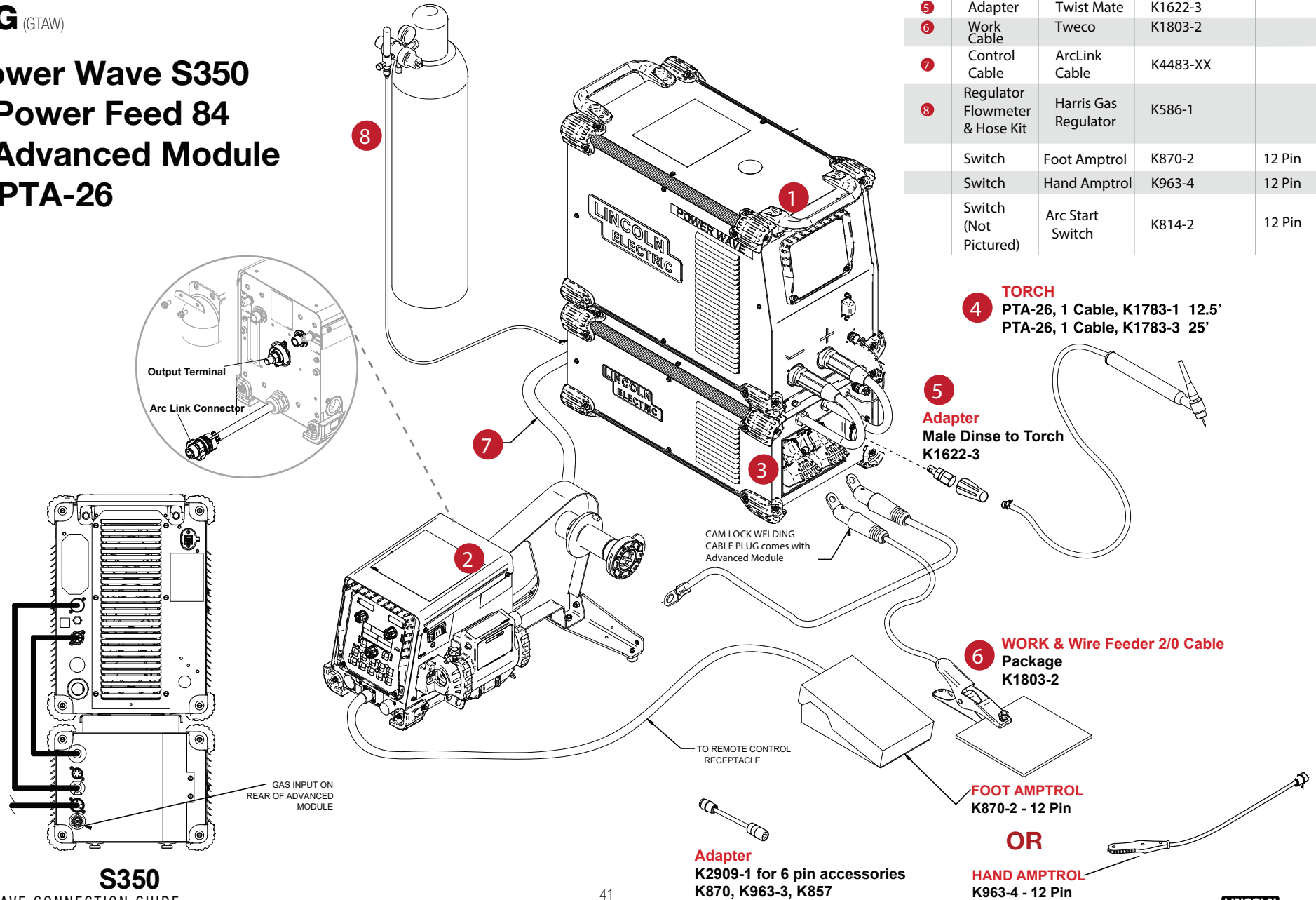
Power Wave S350 + User Interface Kit + Power Feed 84 + PTA-26

	ITEM	DESC.	K#	NOTES
1	Machine	S350	K2823-3	
2	U/I	Interface & Solenoid	K3001-2	
3	Feeder	PF -84	K3328-X or K3330-X	
4	Torch	PTA-26	K1783-1/3	
5	Adapter	Tweco with Gas	K960-3	
6	Work Cable	Tweco	K1803-2	
7	Control Cable	ArcLink Cable	K4483-XX	
8	Regulator Flowmeter & Hose Kit	Harris Gas Regulator	K586-1	
	Switch	Foot Amptrol	K870-2	12 Pin
	Switch	Hand Amptrol	K963-4	12 Pin
	Switch (Not Pictured)	Arc Start Switch	K814-2	12 Pin



TIG (GTAW)

Power Wave S350 + Power Feed 84 + Advanced Module + PTA-26



	ITEM	DESC.	K#	NOTES
1	Machine	S350	K2823-3	
2	Feeder	PF -84	K3328-X or K3330-X	
3	Module	Advanced Module	K2912-1	
4	Torch	PTA-26	K1783-1/3	
5	Adapter	Twist Mate	K1622-3	
6	Work Cable	Tweco	K1803-2	
7	Control Cable	ArcLink Cable	K4483-XX	
8	Regulator Flowmeter & Hose Kit	Harris Gas Regulator	K586-1	
	Switch	Foot Amptrol	K870-2	12 Pin
	Switch	Hand Amptrol	K963-4	12 Pin
	Switch (Not Pictured)	Arc Start Switch	K814-2	12 Pin

4 TORCH
PTA-26, 1 Cable, K1783-1 12.5'
PTA-26, 1 Cable, K1783-3 25'

5 Adapter
Male Dinse to Torch
K1622-3

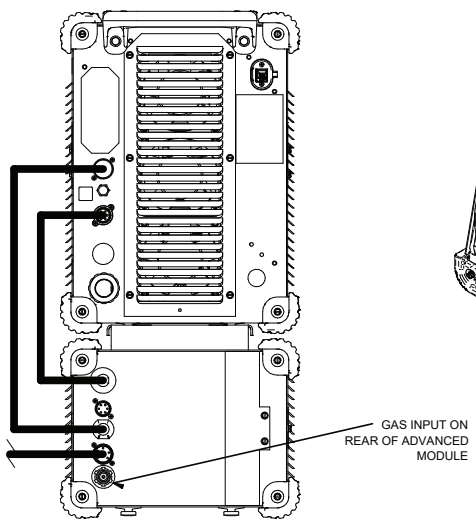
6 WORK & Wire Feeder 2/0 Cable Package
K1803-2

FOOT AMPCTRL
K870-2 - 12 Pin

OR

HAND AMPCTRL
K963-4 - 12 Pin

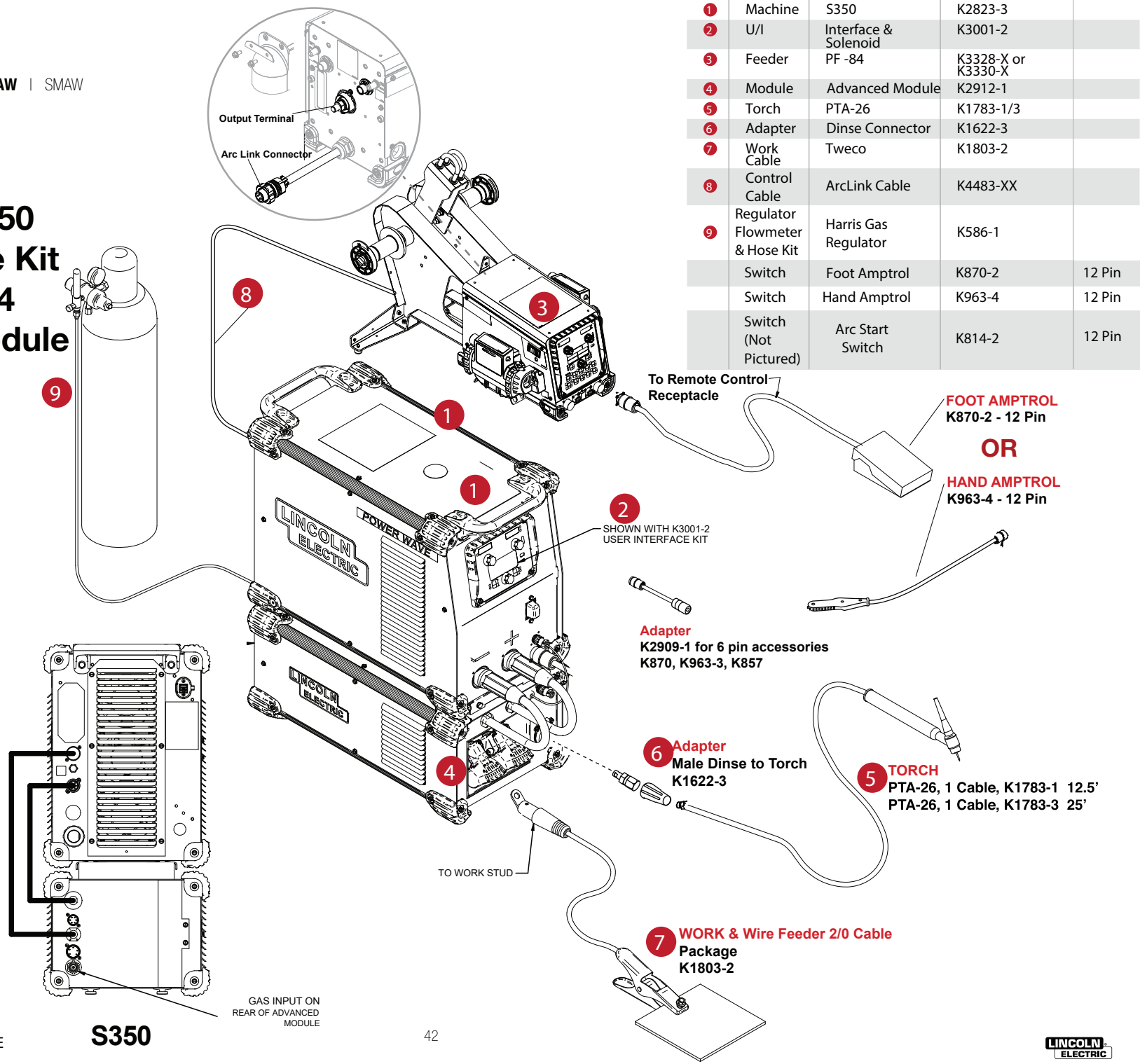
Adapter
K2909-1 for 6 pin accessories
K870, K963-3, K857



S350

TIG (GTAW)

Power Wave S350 + User Interface Kit + Power Feed 84 + Advanced Module + PTA-26



ITEM	DESC.	K#	NOTES	
1	Machine	S350	K2823-3	
2	U/I	Interface & Solenoid	K3001-2	
3	Feeder	PF -84	K3328-X or K3330-X	
4	Module	Advanced Module	K2912-1	
5	Torch	PTA-26	K1783-1/3	
6	Adapter	Dinse Connector	K1622-3	
7	Work Cable	Tweco	K1803-2	
8	Control Cable	ArcLink Cable	K4483-XX	
9	Regulator Flowmeter & Hose Kit	Harris Gas Regulator	K586-1	
	Switch	Foot Amptrol	K870-2	12 Pin
	Switch	Hand Amptrol	K963-4	12 Pin
	Switch (Not Pictured)	Arc Start Switch	K814-2	12 Pin

To Remote Control Receptacle

FOOT AMPCTRL
K870-2 - 12 Pin

OR

HAND AMPCTRL
K963-4 - 12 Pin

2 SHOWN WITH K3001-2 USER INTERFACE KIT

Adapter
K2909-1 for 6 pin accessories
K870, K963-3, K857

6 Adapter
Male Dinse to Torch
K1622-3

5 TORCH
PTA-26, 1 Cable, K1783-1 12.5'
PTA-26, 1 Cable, K1783-3 25'

7 WORK & Wire Feeder 2/0 Cable
Package
K1803-2

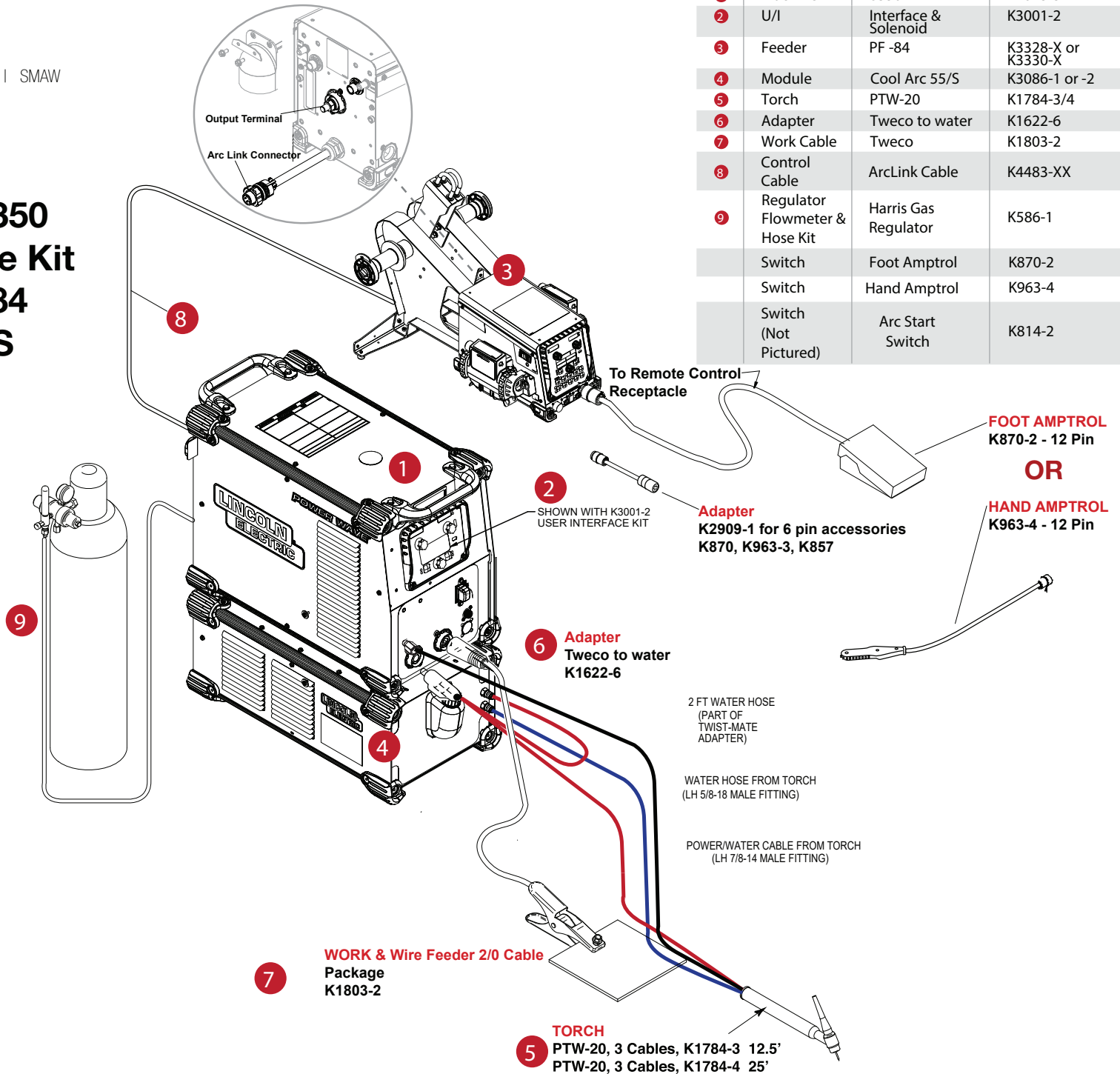
TO WORK STUD

GAS INPUT ON REAR OF ADVANCED MODULE

S350

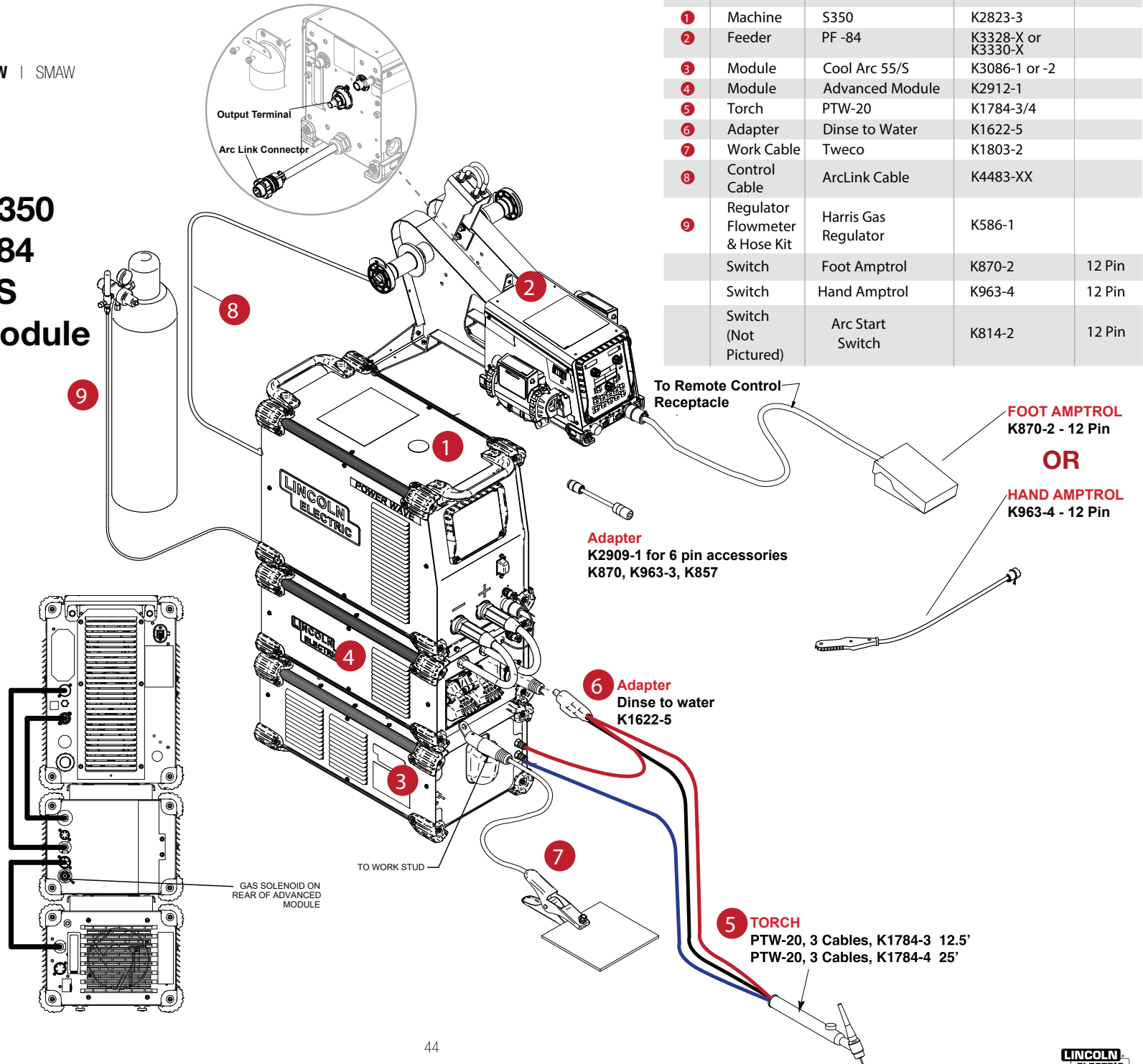
TIG (GTAW)

Power Wave S350 + User Interface Kit + Power Feed 84 + Cool Arc 55/S + PTW-20



TIG (GTAW)

Power Wave S350 + Power Feed 84 + Cool Arc 55/S + Advanced Module + PTW-20



	ITEM	DESC.	K#	NOTES
1	Machine	S350	K2823-3	
2	Feeder	PF -84	K3328-X or K3330-X	
3	Module	Cool Arc 55/S	K3086-1 or -2	
4	Module	Advanced Module	K2912-1	
5	Torch	PTW-20	K1784-3/4	
6	Adapter	Dinse to Water	K1622-5	
7	Work Cable	Tweco	K1803-2	
8	Control Cable	ArcLink Cable	K4483-XX	
9	Regulator Flowmeter & Hose Kit	Harris Gas Regulator	K586-1	
	Switch	Foot Ampctrl	K870-2	12 Pin
	Switch	Hand Ampctrl	K963-4	12 Pin
	Switch (Not Pictured)	Arc Start Switch	K814-2	12 Pin

To Remote Control Receptacle

FOOT AMPCTRL
K870-2 - 12 Pin

OR

HAND AMPCTRL
K963-4 - 12 Pin

Adapter
K2909-1 for 6 pin accessories
K870, K963-3, K857

6 Adapter
Dinse to water
K1622-5

5 TORCH
PTW-20, 3 Cables, K1784-3 12.5'
PTW-20, 3 Cables, K1784-4 25'

Output Terminal

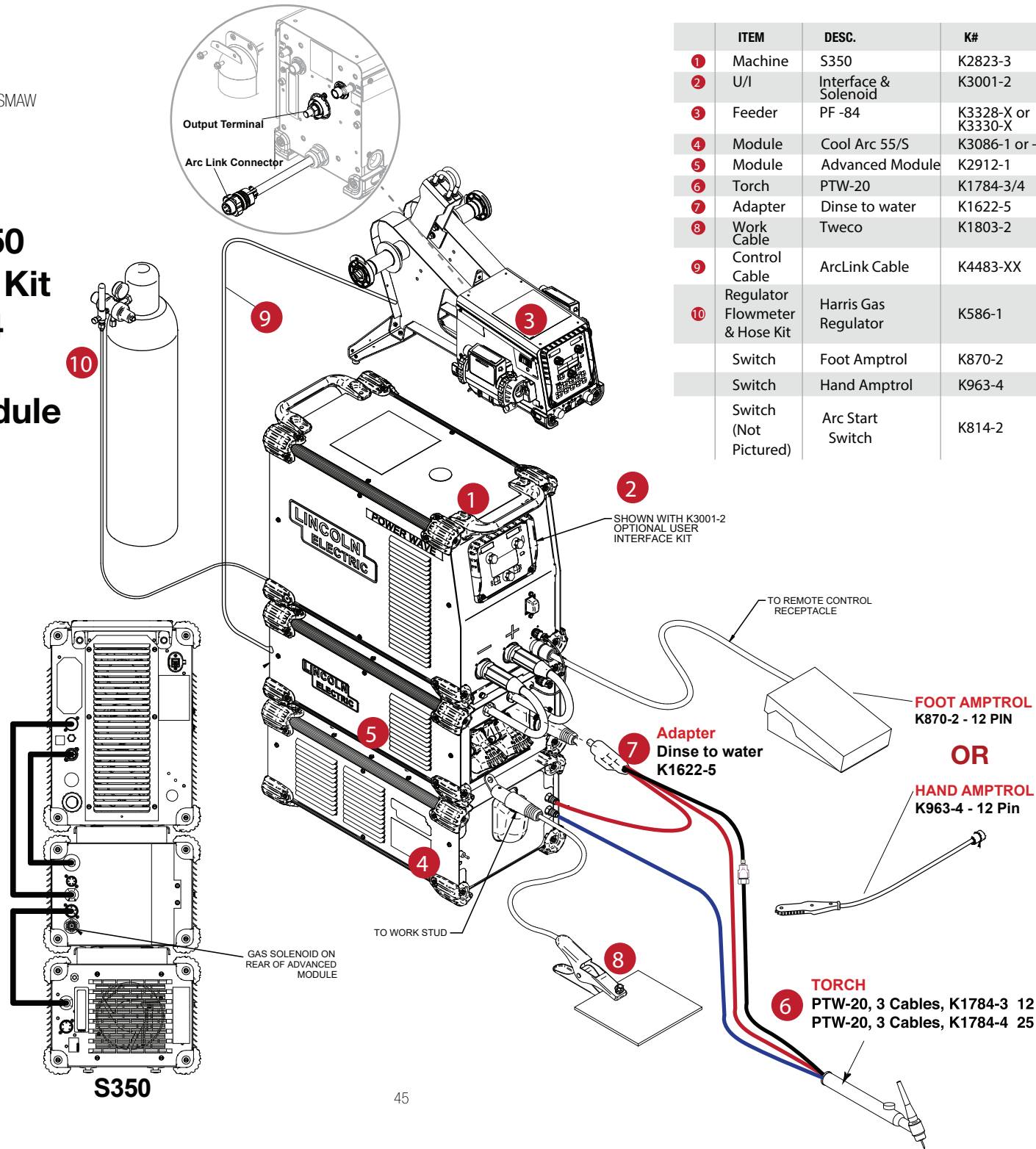
Arc Link Connector

GAS SOLENOID ON REAR OF ADVANCED MODULE

TO WORK STUD

TIG (GTAW)

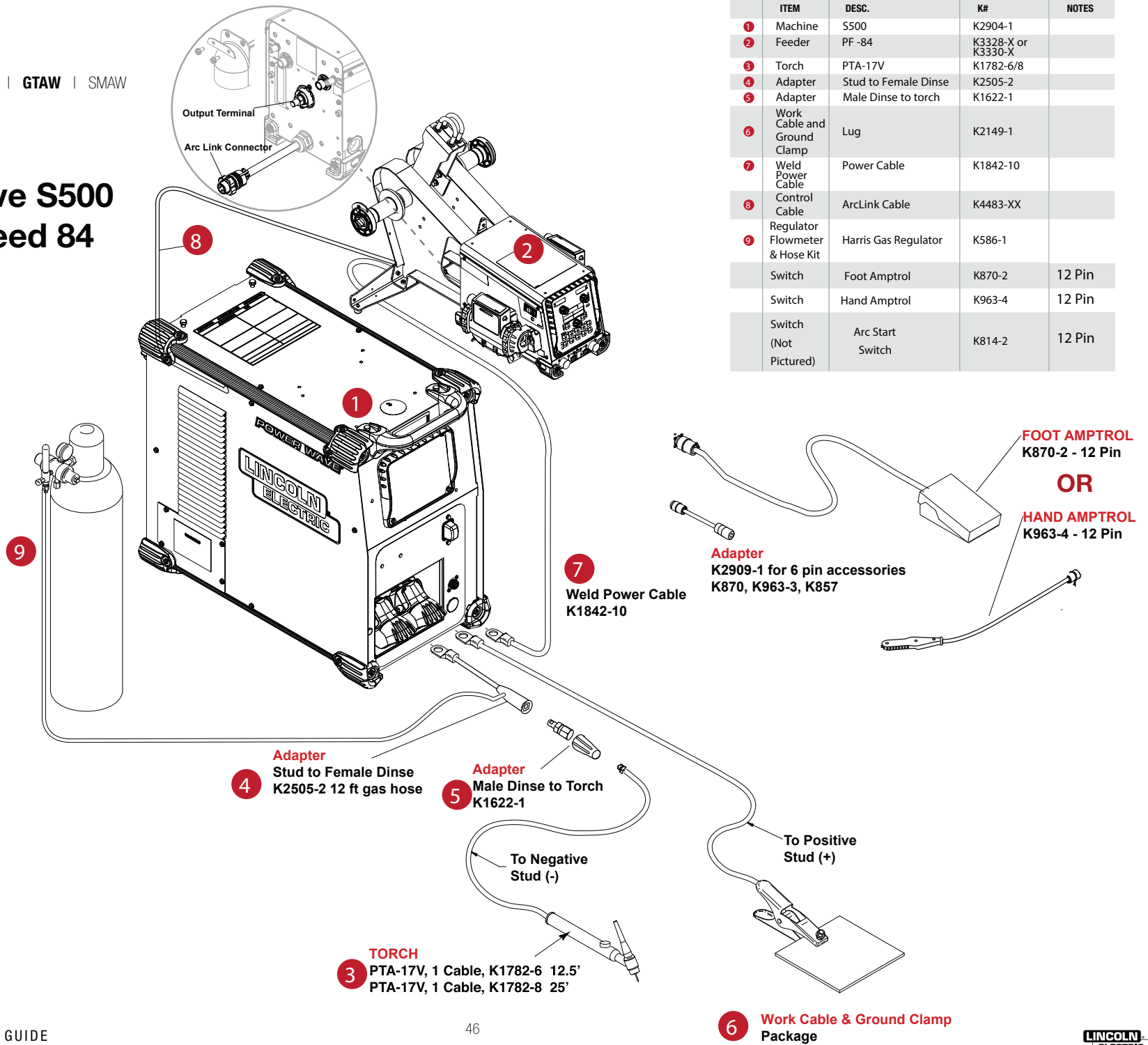
- Power Wave S350**
- + User Interface Kit**
- + Power Feed 84**
- + Cool Arc 55/S**
- + Advanced Module**
- + PTW-20**



	ITEM	DESC.	K#	NOTES
1	Machine	S350	K2823-3	
2	U/I	Interface & Solenoid	K3001-2	
3	Feeder	PF -84	K3328-X or K3330-X	
4	Module	Cool Arc 55/S	K3086-1 or -2	
5	Module	Advanced Module	K2912-1	
6	Torch	PTW-20	K1784-3/4	
7	Adapter	Dinse to water	K1622-5	
8	Work Cable	Tweco	K1803-2	
9	Control Cable	ArcLink Cable	K4483-XX	
10	Regulator Flowmeter & Hose Kit	Harris Gas Regulator	K586-1	
	Switch	Foot Amptrol	K870-2	12 Pin
	Switch	Hand Amptrol	K963-4	12 Pin
	Switch (Not Pictured)	Arc Start Switch	K814-2	12 Pin

TIG (GTAW)

Power Wave S500 + Power Feed 84 + PTA-17V

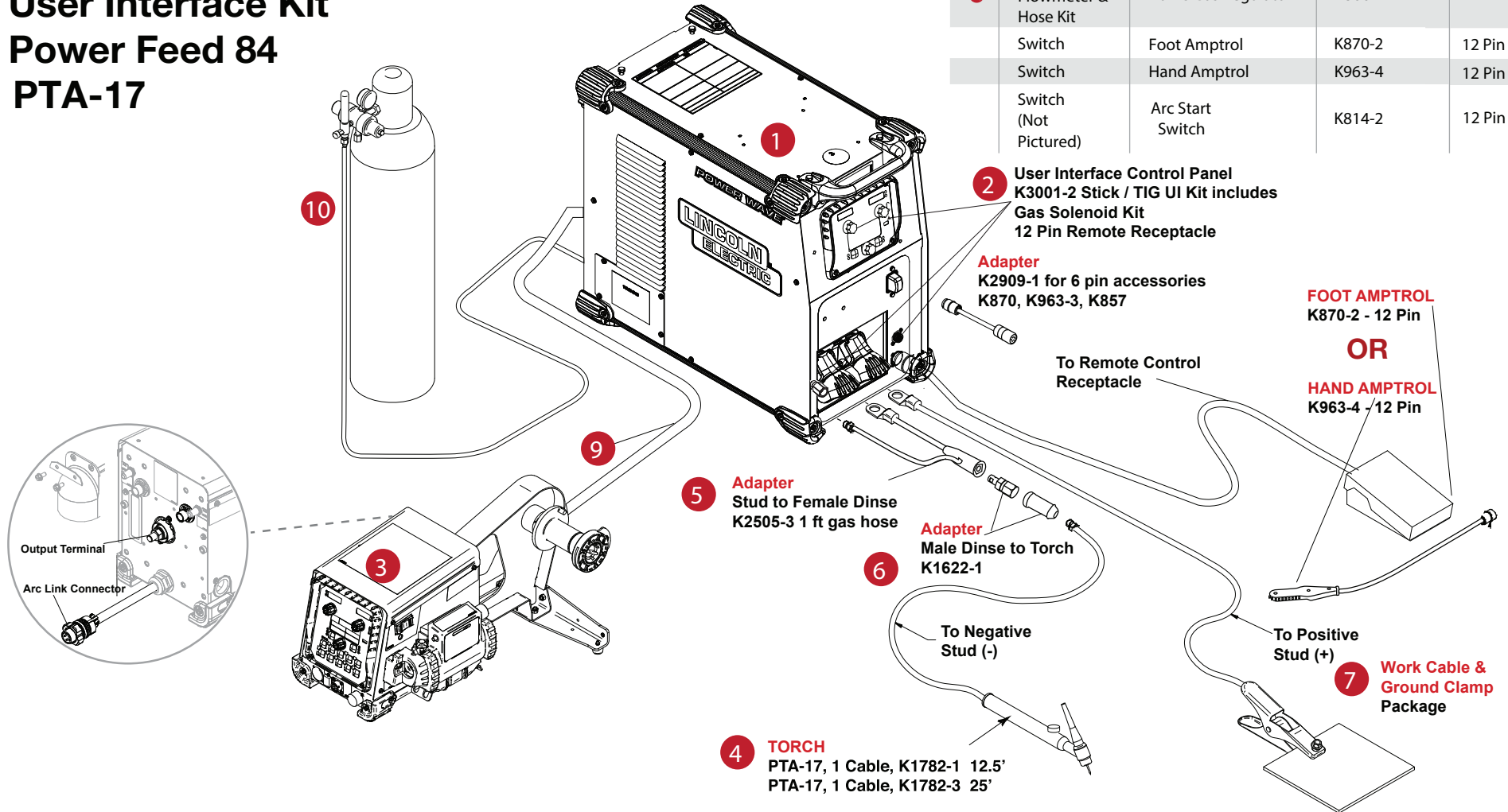


ITEM	DESC.	K#	NOTES	
1	Machine	S500	K2904-1	
2	Feeder	PF -84	K3328-X or K3330-X	
3	Torch	PTA-17V	K1782-6/8	
4	Adapter	Stud to Female Dinse	K2505-2	
5	Adapter	Male Dinse to torch	K1622-1	
6	Work Cable and Ground Clamp	Lug	K2149-1	
7	Weld Power Cable	Power Cable	K1842-10	
8	Control Cable	ArcLink Cable	K4483-XX	
9	Regulator Flowmeter & Hose Kit	Harris Gas Regulator	K586-1	
	Switch	Foot Amptrol	K870-2	12 Pin
	Switch	Hand Amptrol	K963-4	12 Pin
	Switch (Not Pictured)	Arc Start Switch	K814-2	12 Pin

TIG (GTAW)

Power Wave S500 + User Interface Kit + Power Feed 84 + PTA-17

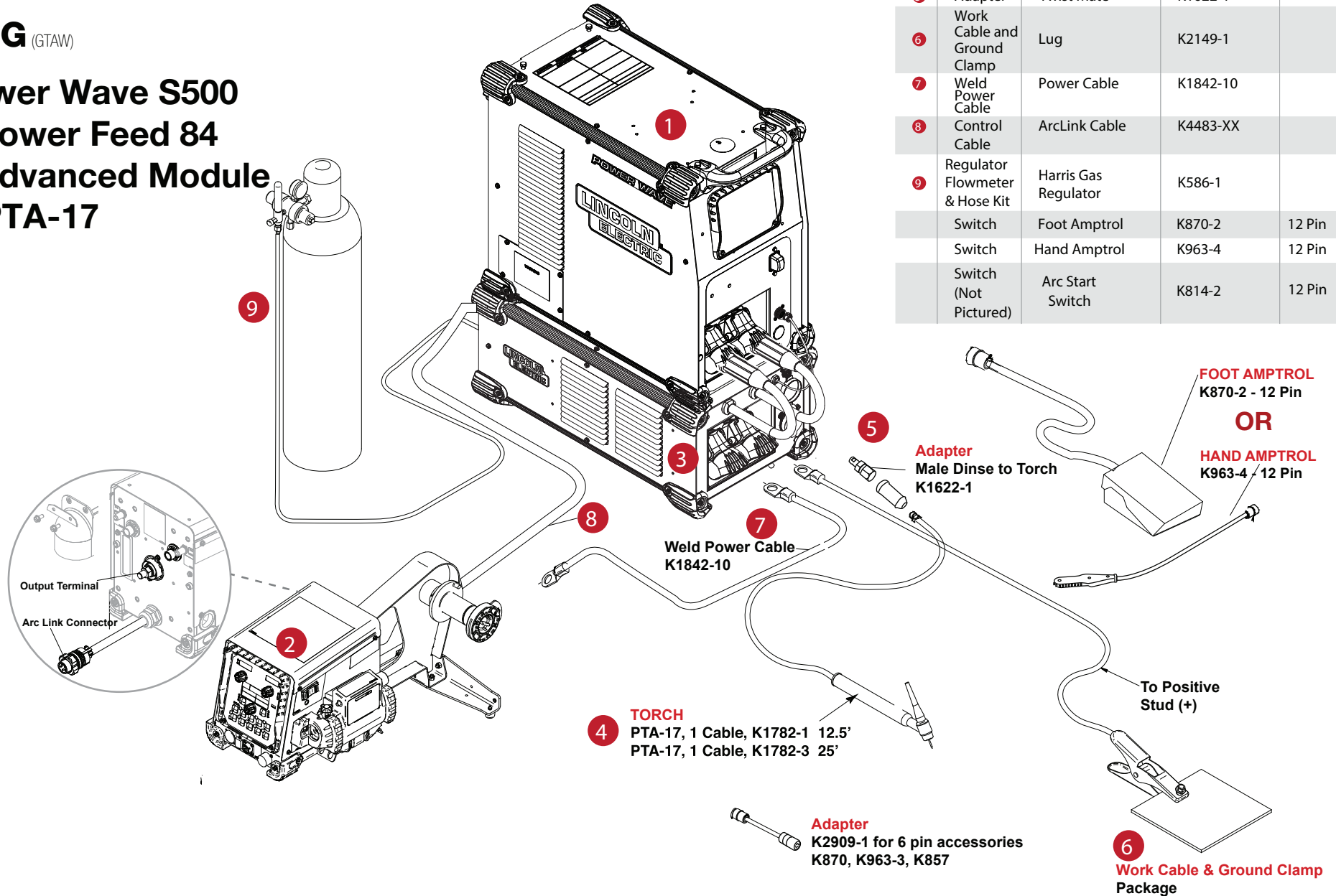
	ITEM	DESC.	K#	NOTES
1	Machine	S500	K2904-1	
2	U/I	Interface & Solenoid	K3001-2	
3	Feeder	PF -84	K3328-X or K3330-X	
4	Torch	PTA-17	K1782-1/3	
5	Adapter	Stud to Female Dinse	K2505-3	
6	Adapter	Male Dinse to torch	K1622-1	
7	Work Cable and Ground Clamp	Lug	K2149-1	
8	Weld Power Cable	Power Cable	K1842-10	
9	Control Cable	ArcLink Cable	K4483-XX	
10	Regulator Flowmeter & Hose Kit	Harris Gas Regulator	K586-1	
	Switch	Foot Amptrol	K870-2	12 Pin
	Switch	Hand Amptrol	K963-4	12 Pin
	Switch (Not Pictured)	Arc Start Switch	K814-2	12 Pin



TIG (GTAW)

Power Wave S500 + Power Feed 84 + Advanced Module + PTA-17

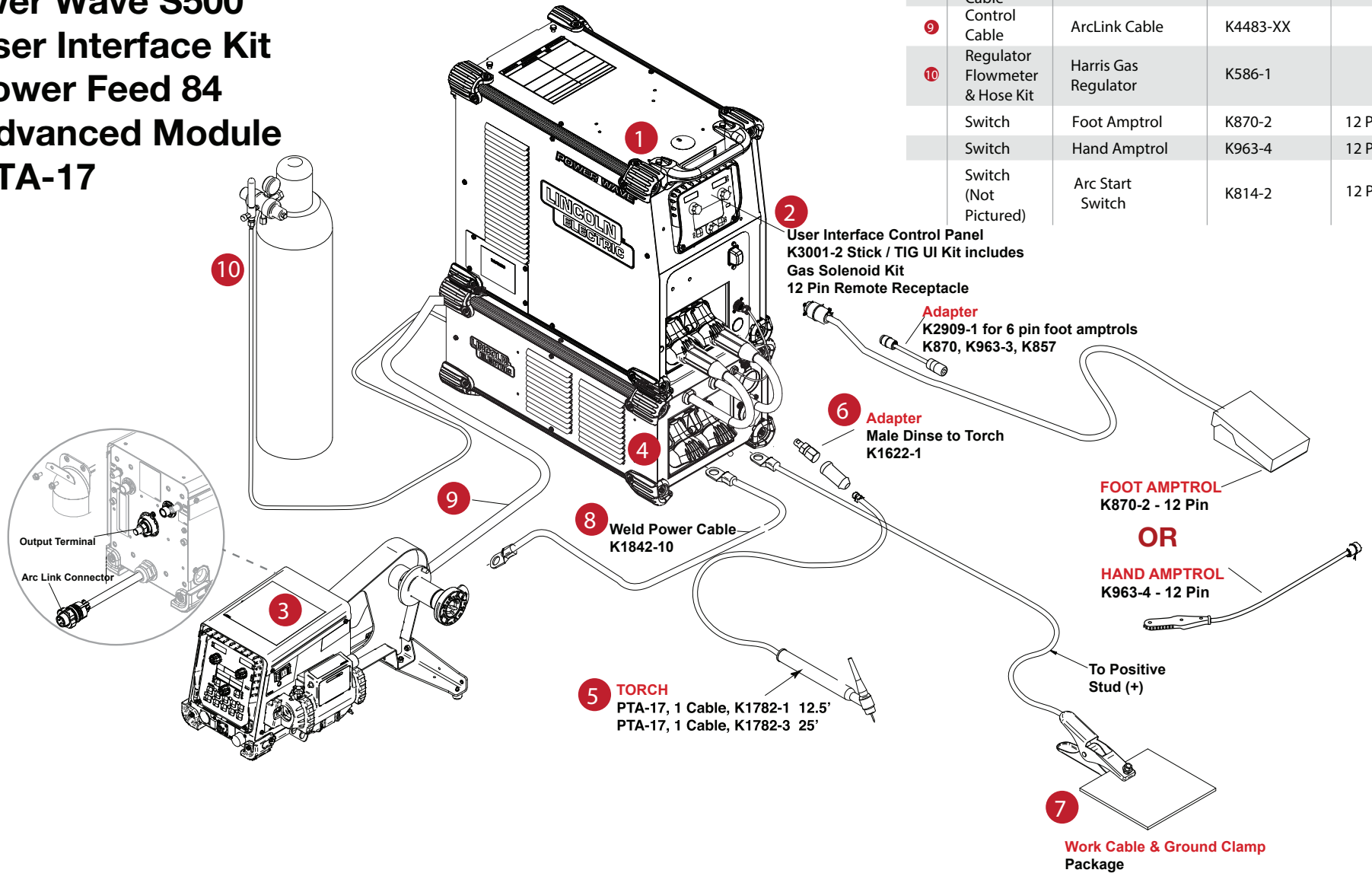
ITEM	DESC.	K#	NOTES	
1	Machine	S500	K2904-1	
2	Feeder	PF-84	K3328-X or K3330-X	
3	Module	Advanced Module	K2912-1	
4	Torch	PTA-17	K1782-1/3	
5	Adapter	Twist Mate	K1622-1	
6	Work Cable and Ground Clamp	Lug	K2149-1	
7	Weld Power Cable	Power Cable	K1842-10	
8	Control Cable	ArcLink Cable	K4483-XX	
9	Regulator Flowmeter & Hose Kit	Harris Gas Regulator	K586-1	
	Switch	Foot Amptrol	K870-2	12 Pin
	Switch	Hand Amptrol	K963-4	12 Pin
	Switch (Not Pictured)	Arc Start Switch	K814-2	12 Pin



TIG (GTAW)

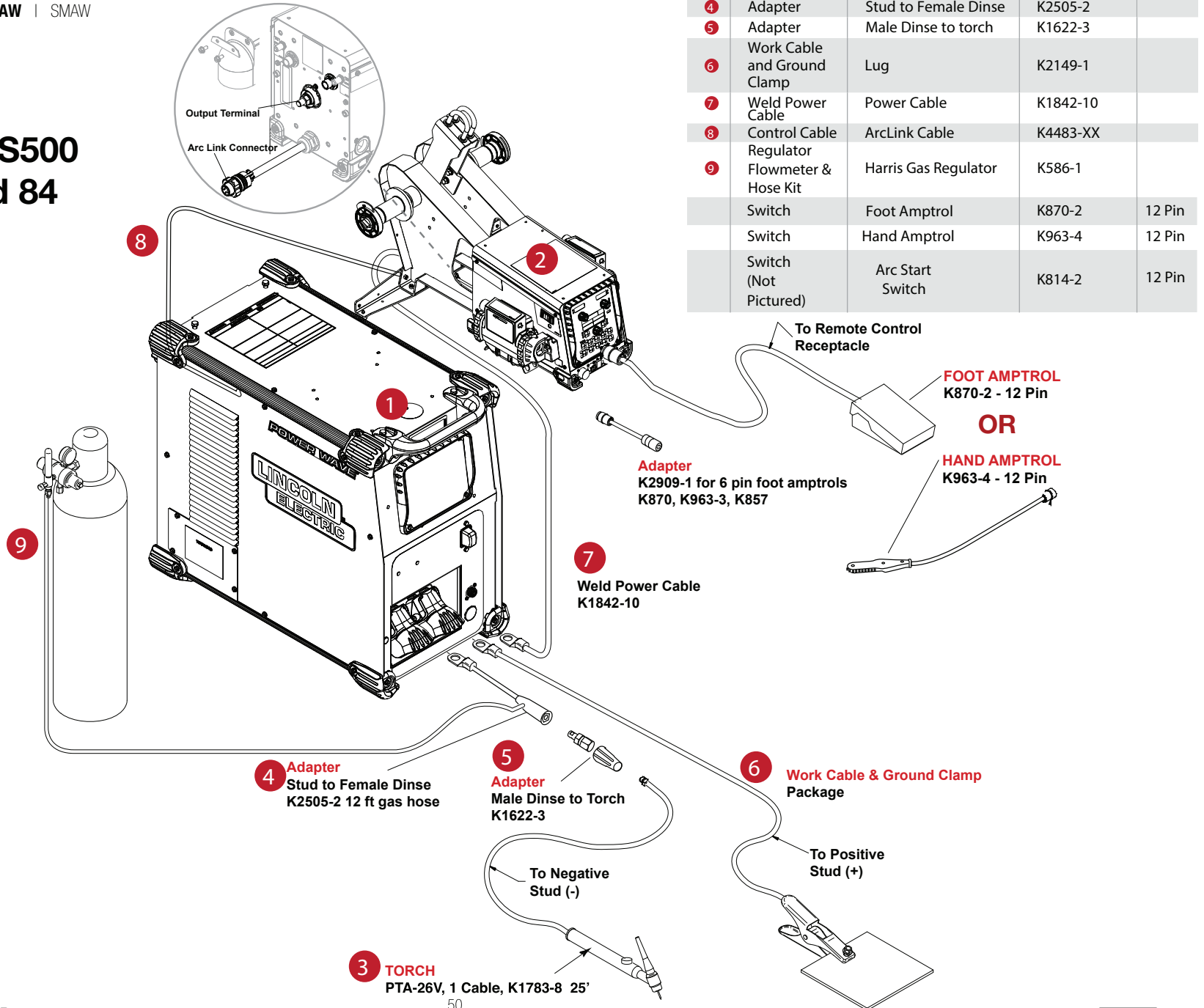
Power Wave S500 + User Interface Kit + Power Feed 84 + Advanced Module + PTA-17

	ITEM	DESC.	K#	NOTES
1	Machine	S500	K2904-1	
2	U/I	Interface & Solenoid	K3001-2	
3	Feeder	PF -84	K3328-X or K3330-X	
4	Module	Advanced Module	K2912-1	
5	Torch	PTA-17	K1782-1/3	
6	Adapter	Twist Mate	K1622-1	
7	Work Cable and Ground Clamp	Lug	K2149-1	
8	Weld Power Cable	Power Cable	K1842-10	
9	Control Cable	ArcLink Cable	K4483-XX	
10	Regulator Flowmeter & Hose Kit	Harris Gas Regulator	K586-1	
	Switch	Foot Amptrol	K870-2	12 Pin
	Switch	Hand Amptrol	K963-4	12 Pin
	Switch (Not Pictured)	Arc Start Switch	K814-2	12 Pin



TIG (GTAW)

Power Wave S500 + Power Feed 84 + PTA-26V

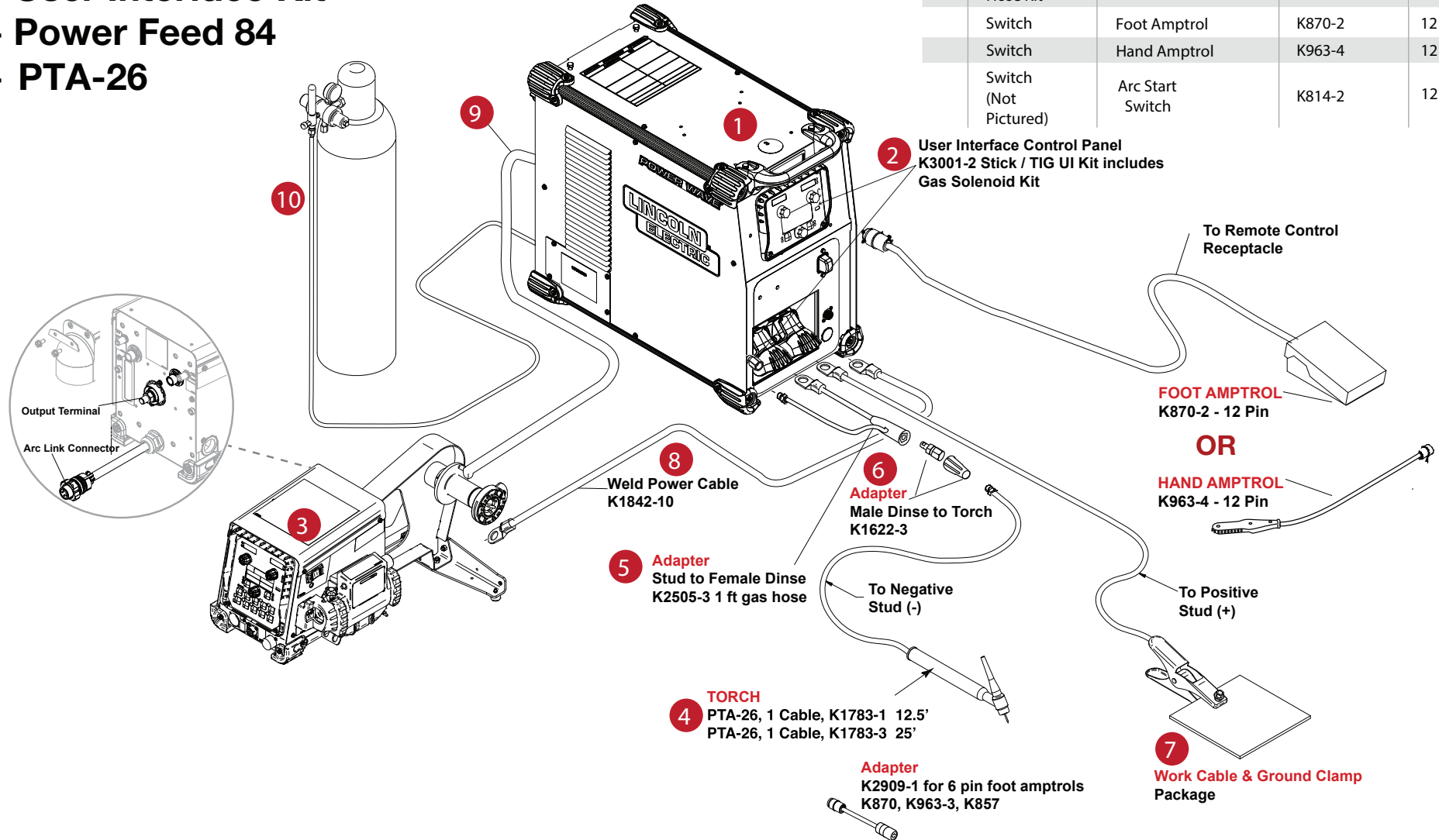


	ITEM	DESC.	K#	NOTES
1	Machine	S500	K2904-1	
2	Feeder	PF -84	K3328-X or K3330-X	
3	Torch	PTA-26V	K1783-8	
4	Adapter	Stud to Female Dinse	K2505-2	
5	Adapter	Male Dinse to torch	K1622-3	
6	Work Cable and Ground Clamp	Lug	K2149-1	
7	Weld Power Cable	Power Cable	K1842-10	
8	Control Cable	ArcLink Cable	K4483-XX	
9	Flowmeter & Hose Kit	Harris Gas Regulator	K586-1	
	Switch	Foot Amptrol	K870-2	12 Pin
	Switch	Hand Amptrol	K963-4	12 Pin
	Switch (Not Pictured)	Arc Start Switch	K814-2	12 Pin

TIG (GTAW)

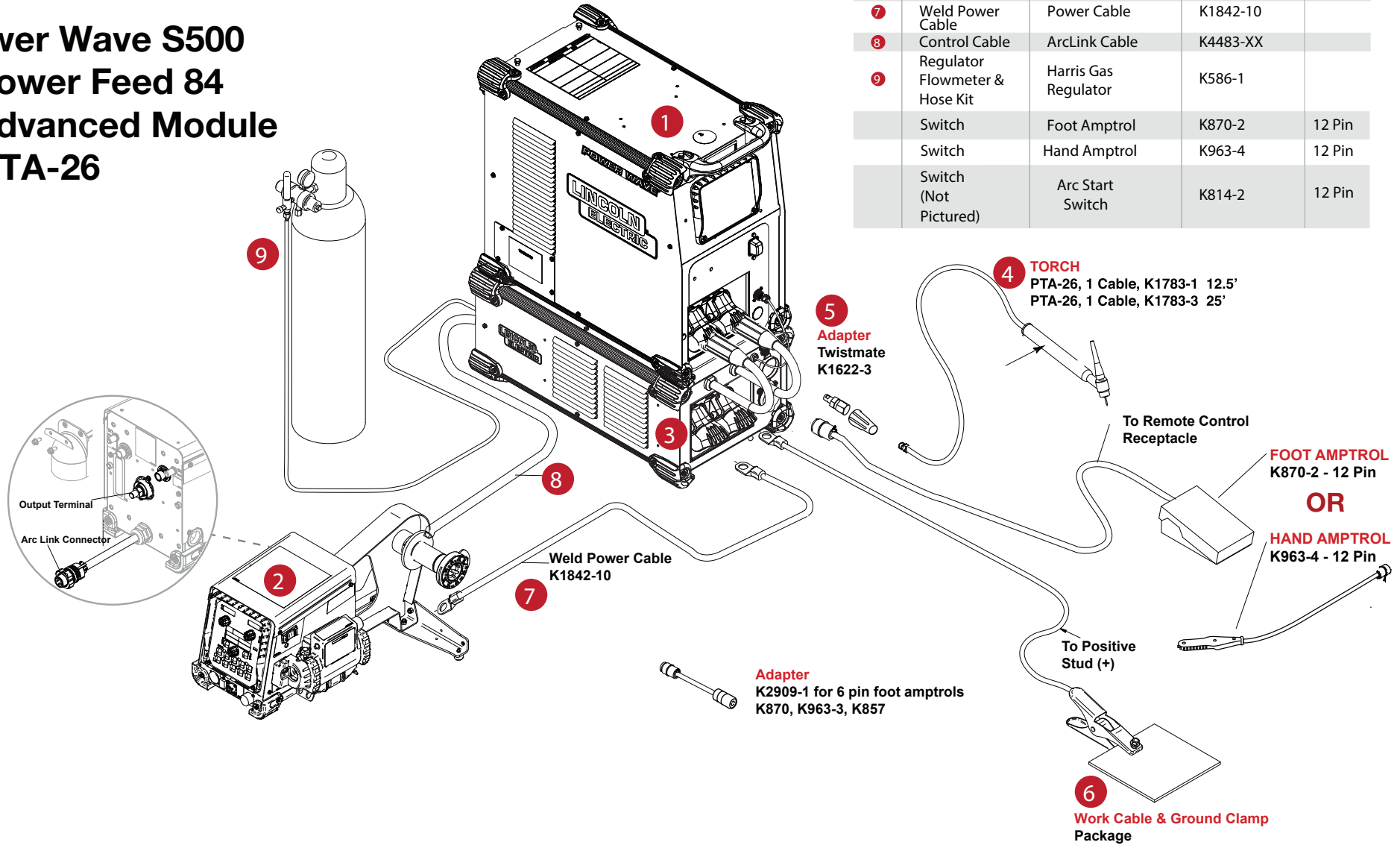
Power Wave S500 + User Interface Kit + Power Feed 84 + PTA-26

ITEM	DESC.	K#	NOTES	
1	Machine	S500	K2904-1	
2	U/I	Interface & Solenoid	K3001-2	
3	Feeder	PF -84	K3328-X or K3330-X	
4	Torch	PTA-26	K1783-1/3	
5	Adapter	Stud to Female Dinse	K2505-3	
6	Adapter	Male Dinse to torch	K1622-3	
7	Work Cable and Ground Clamp	Lug	K2149-1	
8	Weld Power Cable	Power Cable	K1842-10	
9	Control Cable	ArcLink Cable	K4483-XX	
10	Regulator	Harris Gas Regulator	K586-1	
	Switch	Foot Amptrol	K870-2	12 Pin
	Switch	Hand Amptrol	K963-4	12 Pin
	Switch (Not Pictured)	Arc Start Switch	K814-2	12 Pin



TIG (GTAW)

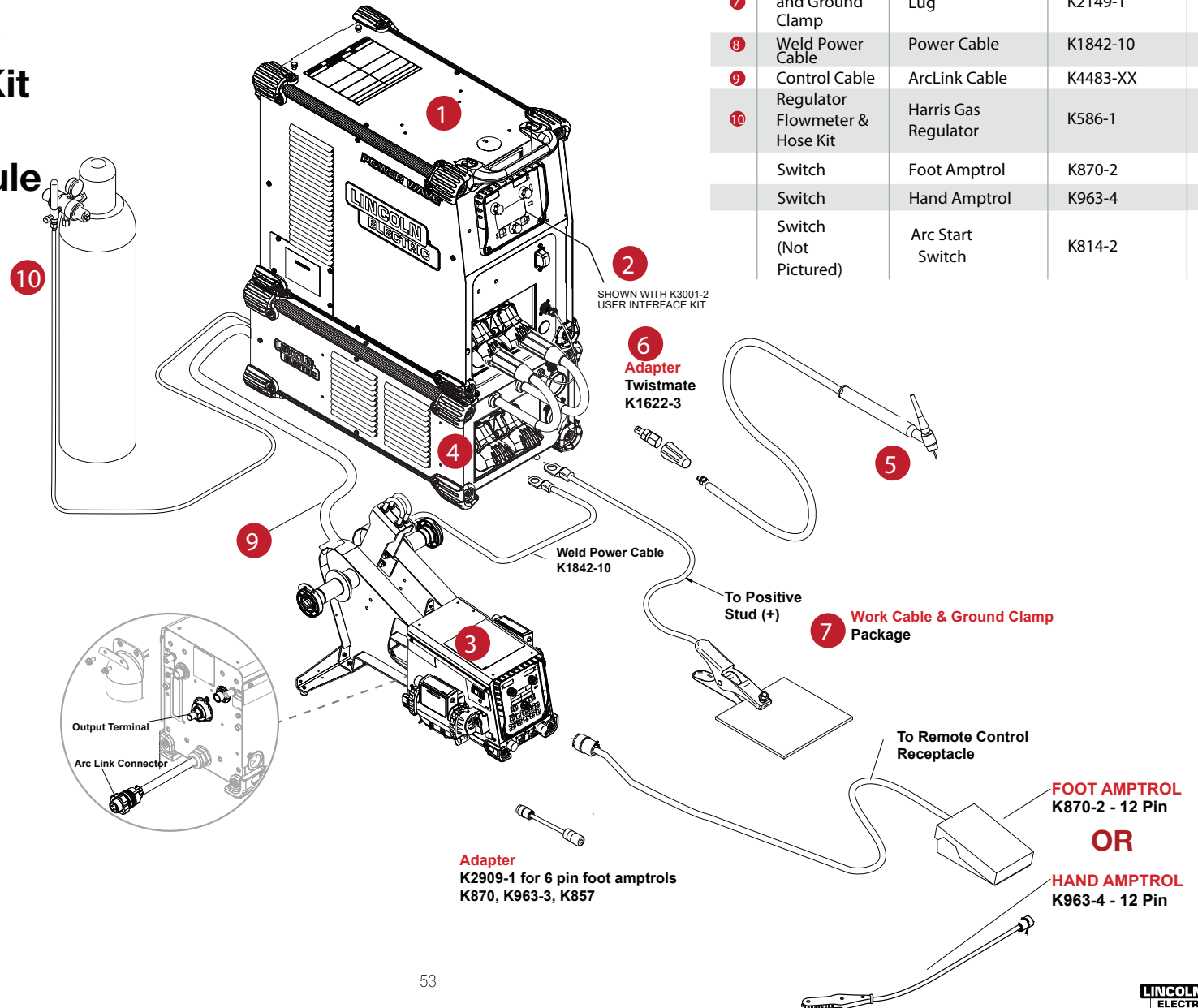
Power Wave S500 + Power Feed 84 + Advanced Module + PTA-26



	ITEM	DESC.	K#	NOTES
1	Machine	S500	K2904-1	
2	Feeder	PF-84	K3328-X or K3330-X	
3	Module	Advanced Module	K2912-1	
4	Torch	PTA-26	K1783-1/3	
5	Adapter	Twist Mate	K1622-3	
6	Work Cable and Ground Clamp	Lug	K2149-1	
7	Weld Power Cable	Power Cable	K1842-10	
8	Control Cable	ArcLink Cable	K4483-XX	
9	Regulator Flowmeter & Hose Kit	Harris Gas Regulator	K586-1	
	Switch	Foot Amptrol	K870-2	12 Pin
	Switch	Hand Amptrol	K963-4	12 Pin
	Switch (Not Pictured)	Arc Start Switch	K814-2	12 Pin

TIG (GTAW)

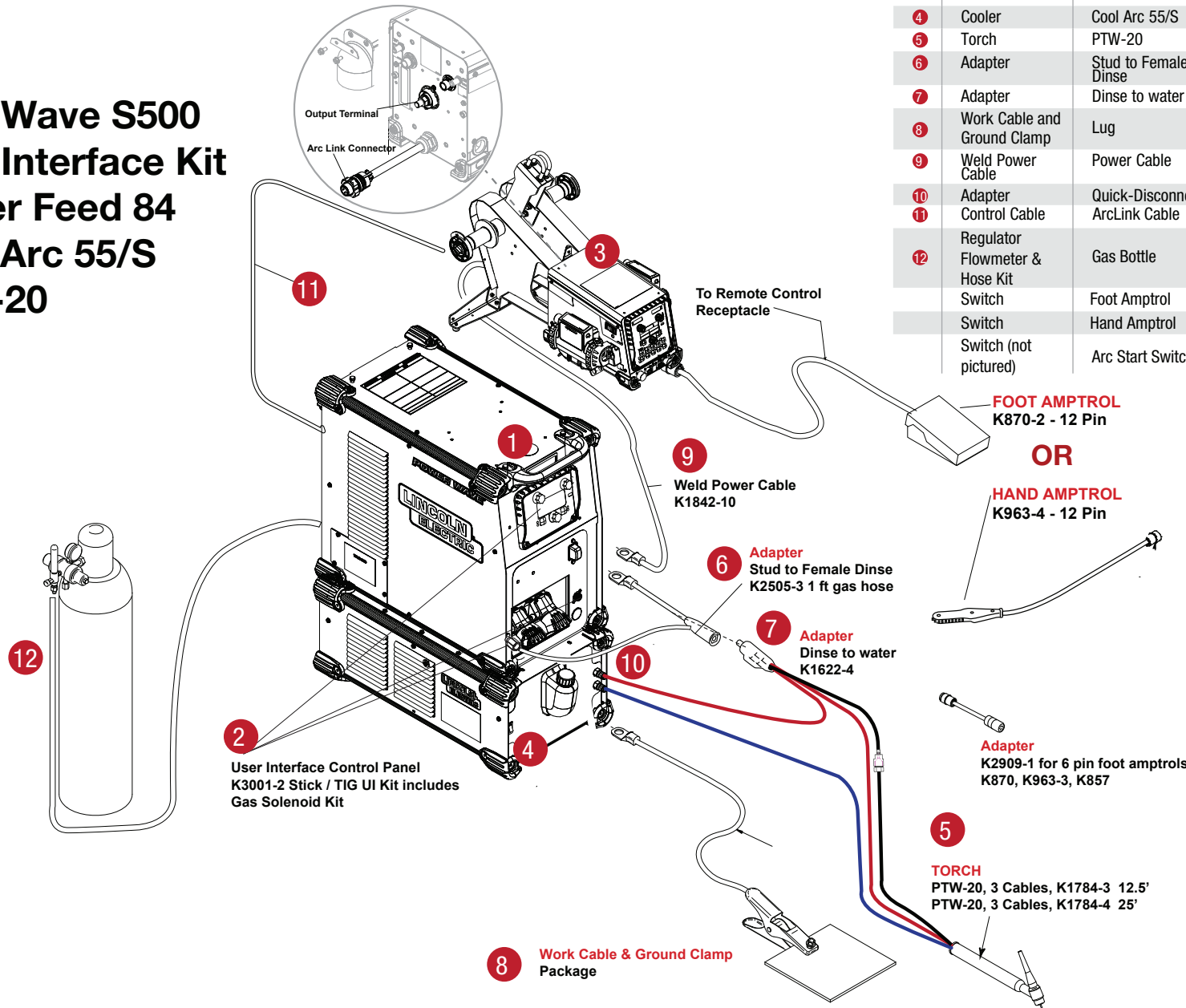
Power Wave S500 + User Interface Kit + Power Feed 84 + Advanced Module + PTA-26



ITEM	DESC.	K#	NOTES	
1	Machine	S500	K2904-1	
2	U/I	Interface & Solenoid	K3001-2	
3	Feeder	PF -84	K3328-X or K3330-X	
4	Module	Advanced Module	K2912-1	
5	Torch	PTA-26	K1783-1/3	
6	Adapter	Twist Mate	K1622-3	
7	Work Cable and Ground Clamp	Lug	K2149-1	
8	Weld Power Cable	Power Cable	K1842-10	
9	Control Cable	ArcLink Cable	K4483-XX	
10	Regulator	Harris Gas Regulator	K586-1	
	Switch	Foot Amptrol	K870-2	12 Pin
	Switch	Hand Amptrol	K963-4	12 Pin
	Switch (Not Pictured)	Arc Start Switch	K814-2	12 Pin

TIG (GTAW)

Power Wave S500 + User Interface Kit + Power Feed 84 + Cool Arc 55/S + PTW-20



	ITEM	DESC.	K#	NOTES
1	Machine	S500	K2904-1	
2	U/I	Interface & Solenoid	K3001-2	
3	Feeder	PF -84	K3328-X or K3330-X	
4	Cooler	Cool Arc 55/S	K3086-1 or -2	
5	Torch	PTW-20	K1784-3/4	
6	Adapter	Stud to Female Dinse	K2505-3	
7	Adapter	Dinse to water	K1622-4	
8	Work Cable and Ground Clamp	Lug	K2149-1	
9	Weld Power Cable	Power Cable	K1842-10	
10	Adapter	Quick-Disconnect	KP1529-1	
11	Control Cable	ArcLink Cable	K4483-XX	
12	Regulator Flowmeter & Hose Kit	Gas Bottle	K1842-10	
	Switch	Foot Amptrol	K870-2	12 Pin
	Switch	Hand Amptrol	K963-4	12 Pin
	Switch (not pictured)	Arc Start Switch	K814-2	12 Pin

FOOT AMPCTRL
K870-2 - 12 Pin

OR

HAND AMPCTRL
K963-4 - 12 Pin

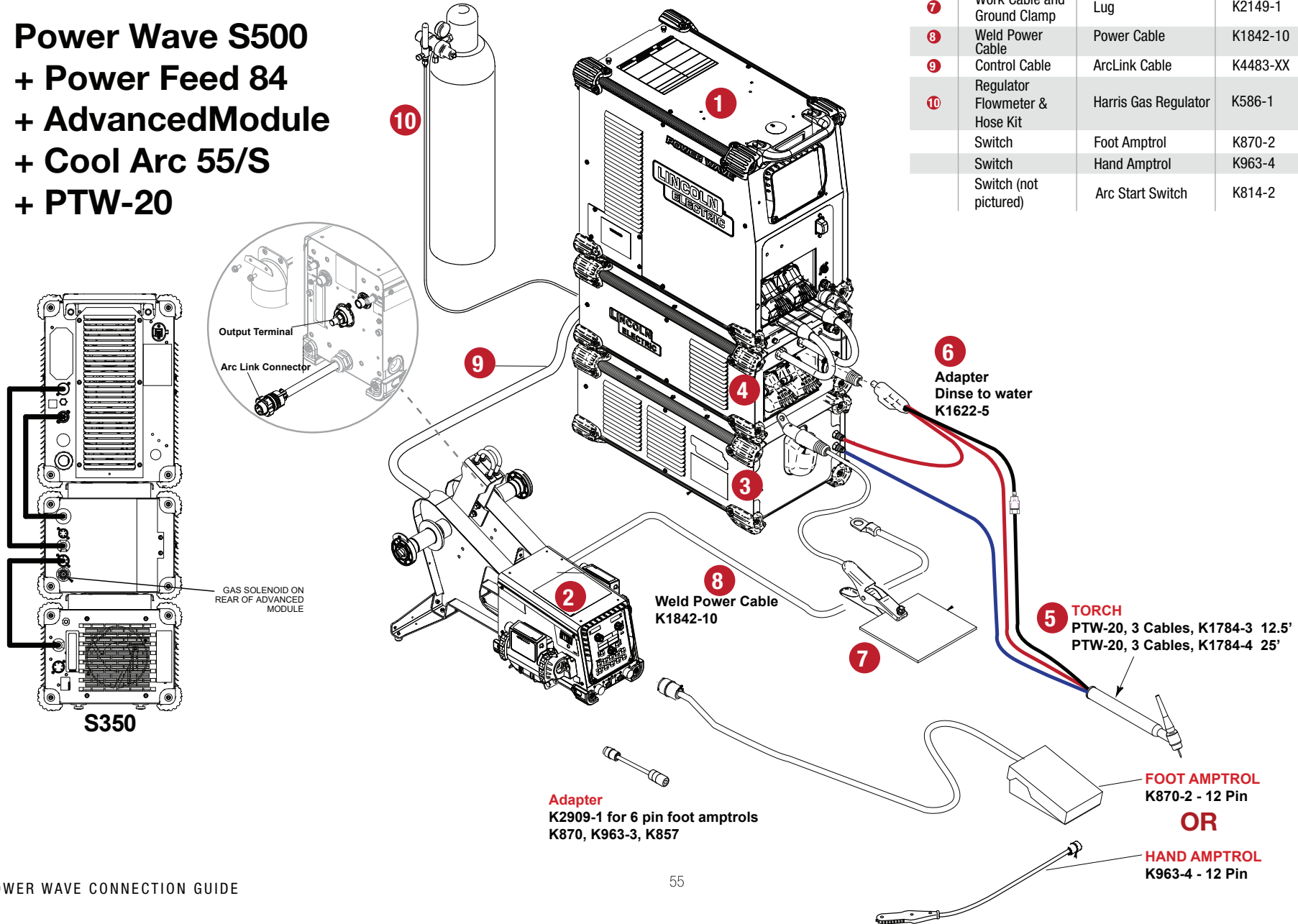
Adapter
K2909-1 for 6 pin foot amptrols
K870, K963-3, K857

5 TORCH
PTW-20, 3 Cables, K1784-3 12.5'
PTW-20, 3 Cables, K1784-4 25'

8 Work Cable & Ground Clamp Package

TIG (GTAW)

Power Wave S500 + Power Feed 84 + AdvancedModule + Cool Arc 55/S + PTW-20

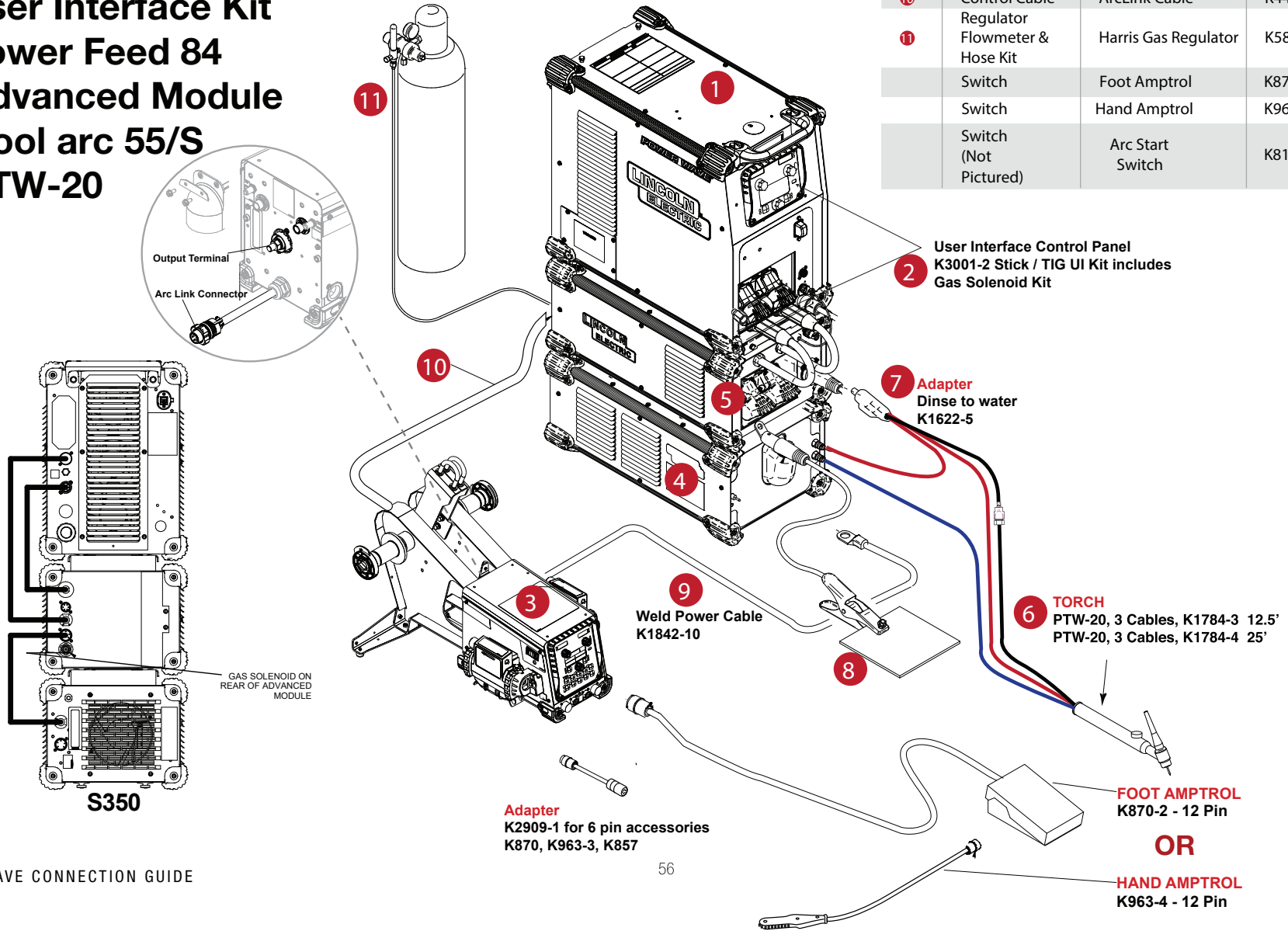


	ITEM	DESC.	K#	NOTES
1	Machine	S500	K2904-1	
2	Feeder	PF -84	K3328-X or K3330-X	
3	Module	Cool Arc 55/S	K3086-1 or -2	
4	Module	Advanced Module	K2912-1	
5	Torch	PTW-20	K1784-3/4	
6	Adapter	Dinse to water	K1622-5	
7	Work Cable and Ground Clamp	Lug	K2149-1	
8	Weld Power Cable	Power Cable	K1842-10	
9	Control Cable	ArcLink Cable	K4483-XX	
10	Regulator Flowmeter & Hose Kit	Harris Gas Regulator	K586-1	
	Switch	Foot Amptrol	K870-2	12 Pin
	Switch	Hand Amptrol	K963-4	12 Pin
	Switch (not pictured)	Arc Start Switch	K814-2	12 Pin

TIG (GTAW)

- Power Wave S500**
- + User Interface Kit**
- + Power Feed 84**
- + Advanced Module**
- + Cool arc 55/S**
- + PTW-20**

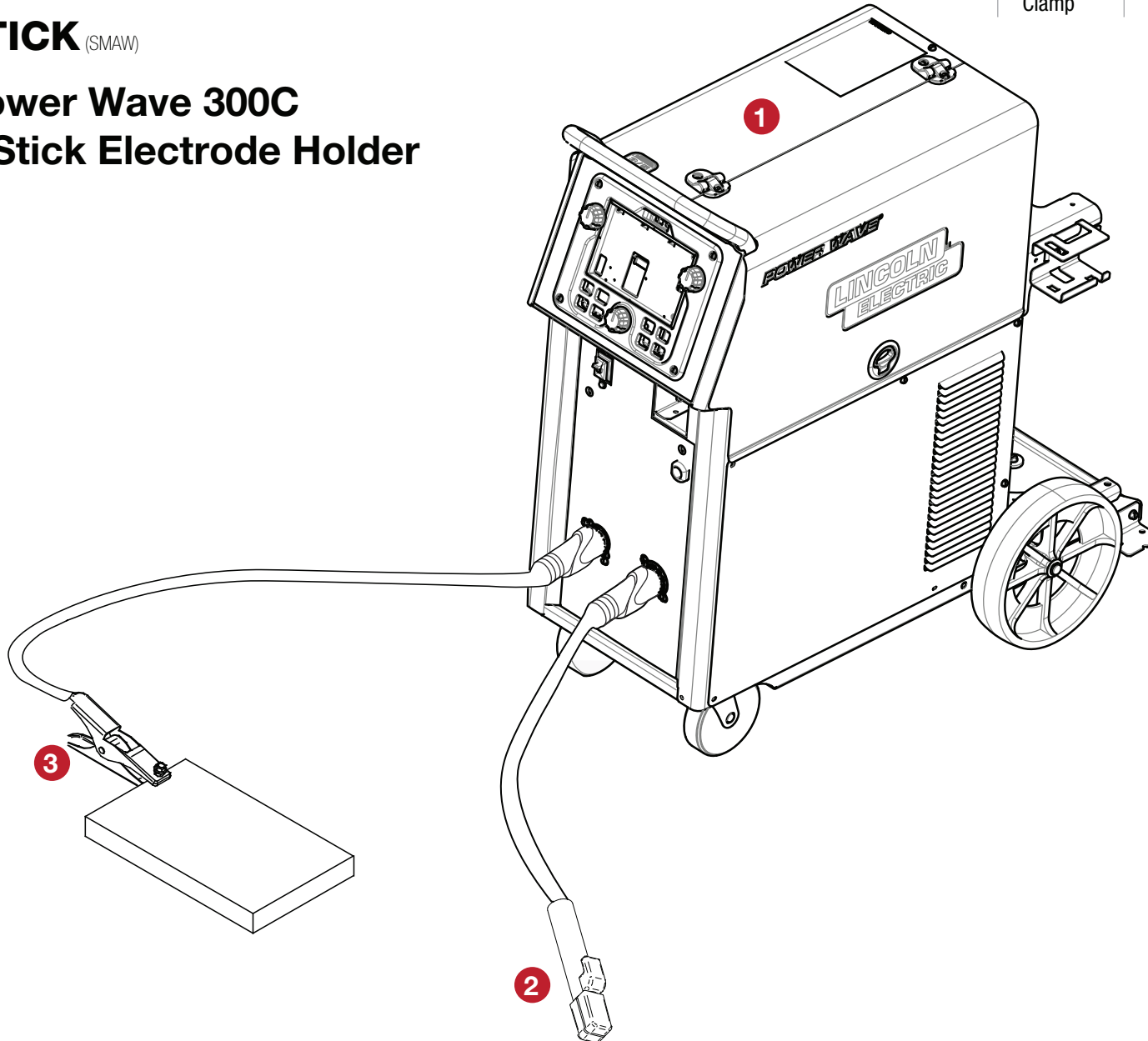
	ITEM	DESC.	K#	NOTES
1	Machine	S500	K2904-1	
2	U/I	Interface & Solenoid	K3001-2	
3	Feeder	PF -84	K3328-X or K3330-X	
4	Cooler	Cool Arc 55/S	K3086-1 or -2	
5	Module	Advanced Module	K2912-1	
6	Torch	PTW-20	K1784-3/4	
7	Adapter	Dinse to water	K1622-5	
8	Work Cable and Ground Clamp	Lug	K2149-1	
9	Weld Power Cable	Power Cable	K1842-10	
10	Control Cable	ArcLink Cable	K4483-XX	
11	Regulator Flowmeter & Hose Kit	Harris Gas Regulator	K586-1	
	Switch	Foot Amptrol	K870-2	12 Pin
	Switch	Hand Amptrol	K963-4	12 Pin
	Switch (Not Pictured)	Arc Start Switch	K814-2	12 Pin



STICK (SMAW)

Power Wave 300C + Stick Electrode Holder

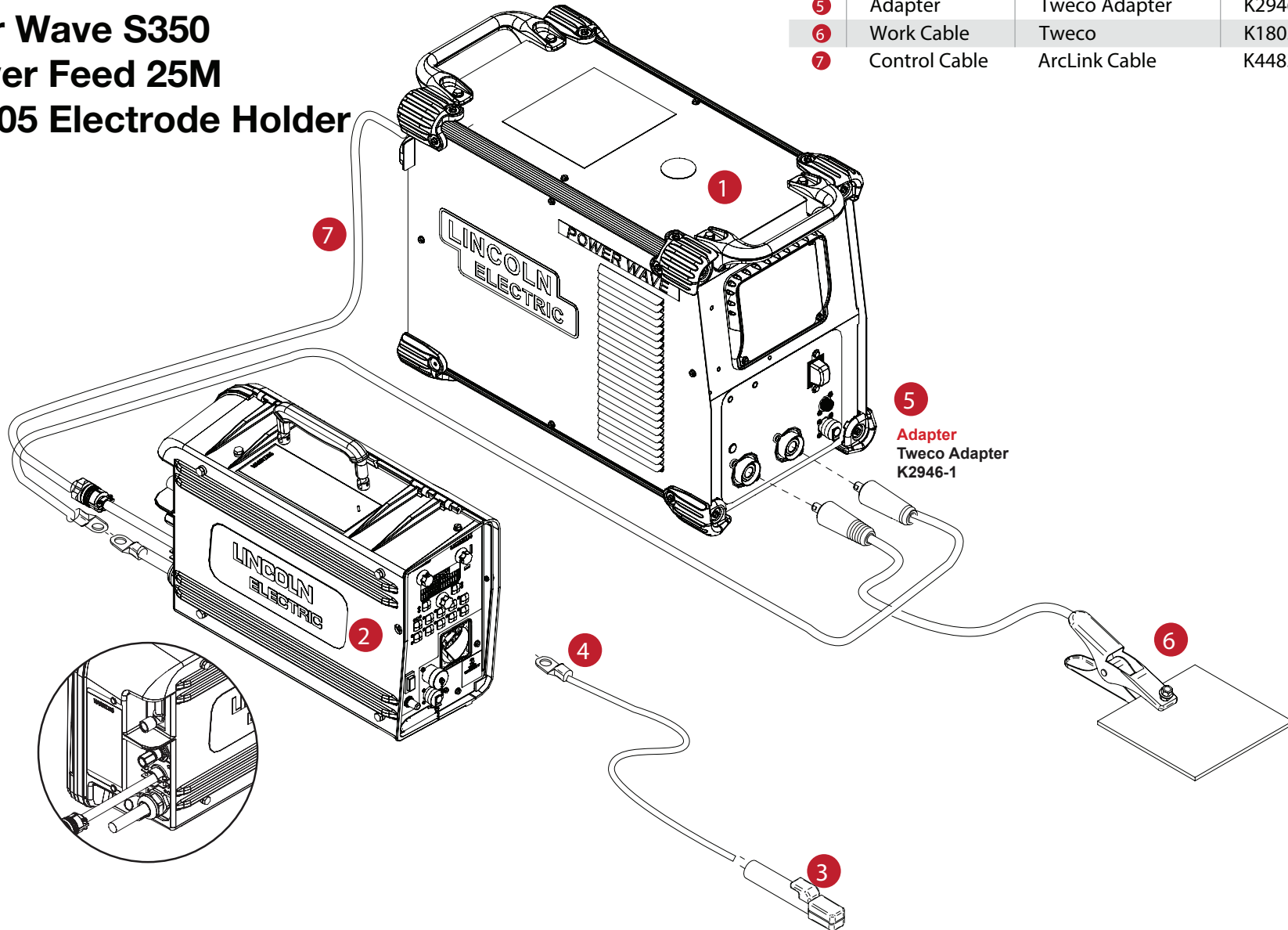
	ITEM	DESC.	K#
1	Machine	300C	K4487-1 or K4488-1
2	Stinger	Stick Electrode Holder	K2374-1
3	Work Cable and Ground Clamp	TwistMate	K2149-1



STICK (SMAW)

Power Wave S350 + Power Feed 25M + EH305 Electrode Holder

ITEM	DESC.	K#	
1	Machine	S350	K2823-3
2	Feeder	PF -84	K3328-X or K3330-X
		PF -25M	K5236-X
3	Stinger	Electrode Holder EH305	K909-7
4	Cable	Cut length 1/0 or 2/0	
5	Adapter	Tweco Adapter	K2946-1
6	Work Cable	Tweco	K1803-2
7	Control Cable	ArcLink Cable	K4483-XX

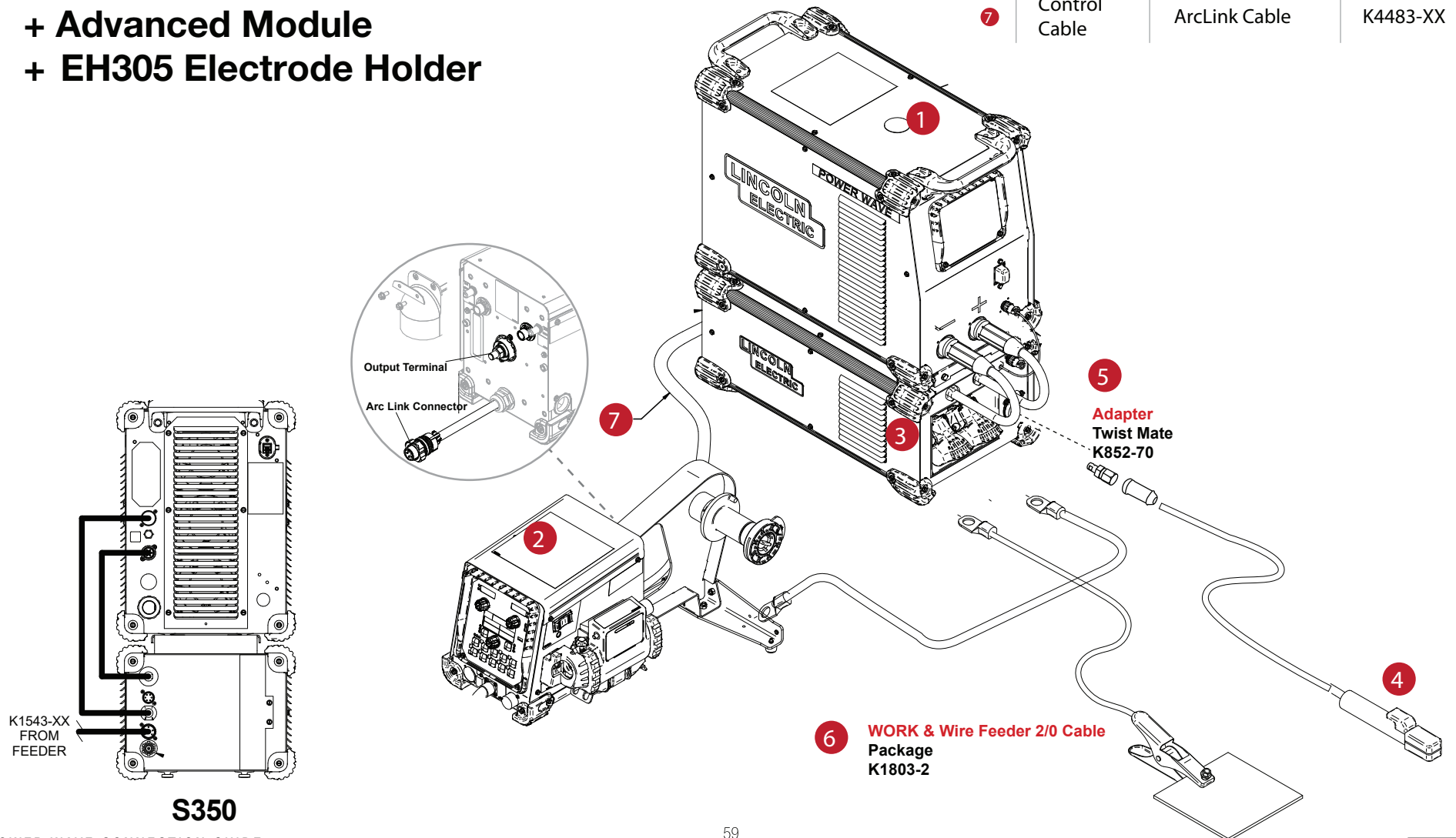


5
Adapter
Tweco Adapter
K2946-1

STICK (SMAW)

Power Wave S350 + Power Feed 84 + Advanced Module + EH305 Electrode Holder

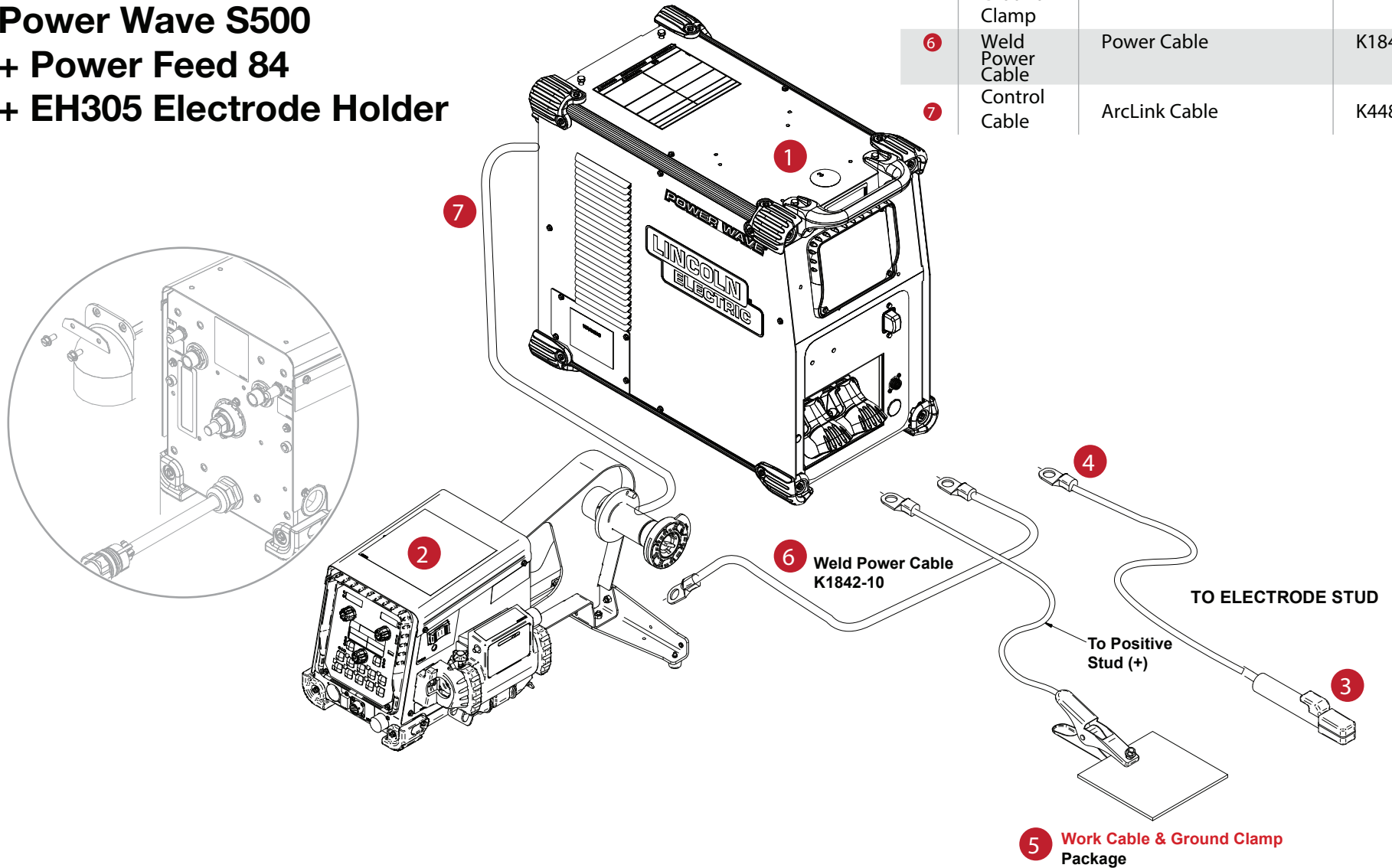
	ITEM	DESC.	K#
1	Machine	S350	K2823-3
2	Feeder	PF -84	K3328-X or K3330-X
3	Module	Advanced Module	K2912-1
4	Stinger	Electrode Holder EH305	K909-7
5	Adapter	Twist Mate	K852-70
6	Work Cable	Tweco	K1803-2
7	Control Cable	ArcLink Cable	K4483-XX



STICK (SMAW)

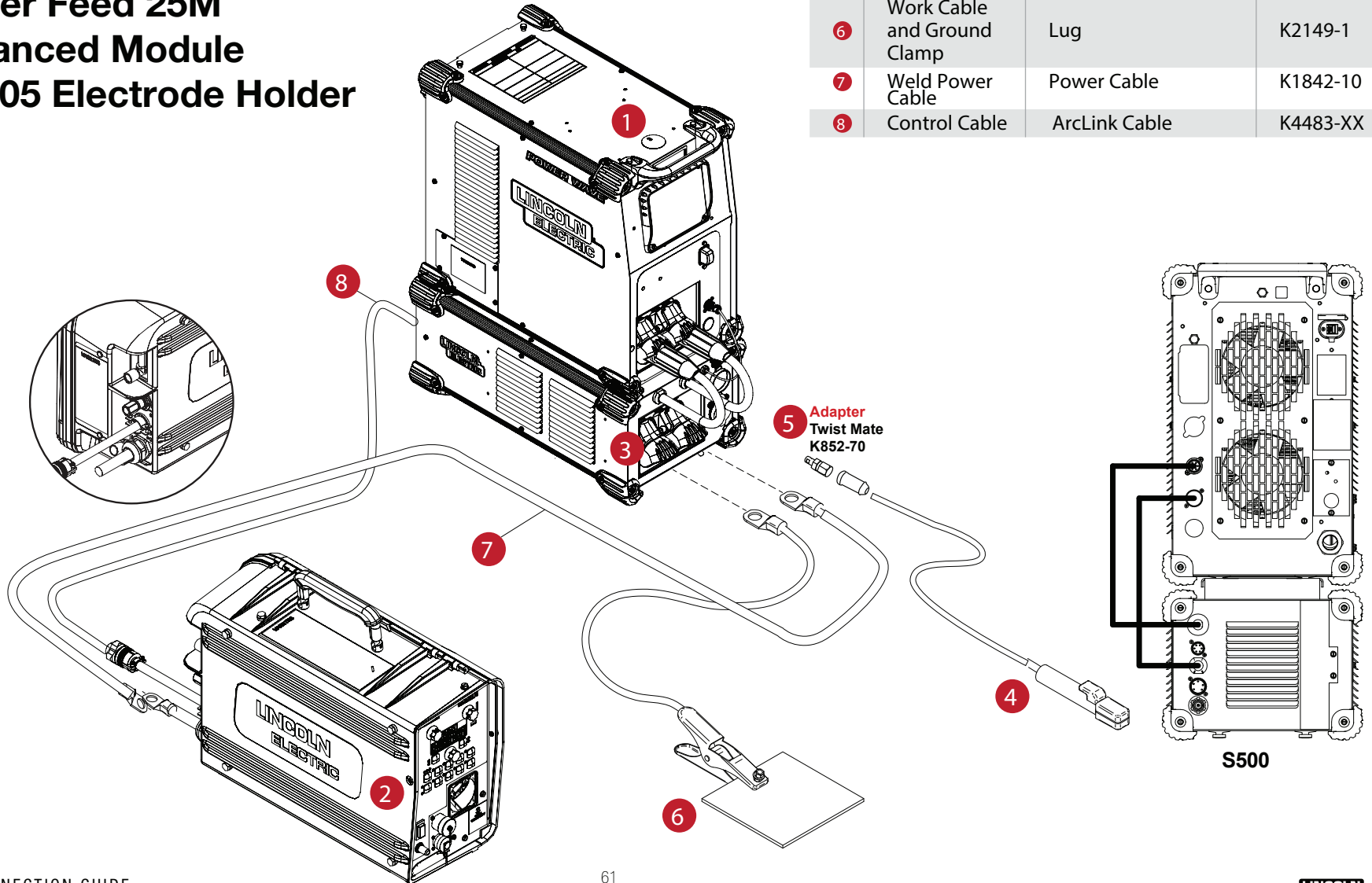
Power Wave S500 + Power Feed 84 + EH305 Electrode Holder

	ITEM	DESC.	K#
1	Machine	S500	K2904-1
2	Feeder	PF -84	K3328-X or K3330-X
3	Stinger	Electrode Holder EH305	K909-7
4	Cable	lugged to desired length	
5	Work Cable and Ground Clamp	Lug	K2149-1
6	Weld Power Cable	Power Cable	K1842-10
7	Control Cable	ArcLink Cable	K4483-XX



STICK (SMAW)

Power Wave S500 + Power Feed 25M + Advanced Module + EH305 Electrode Holder

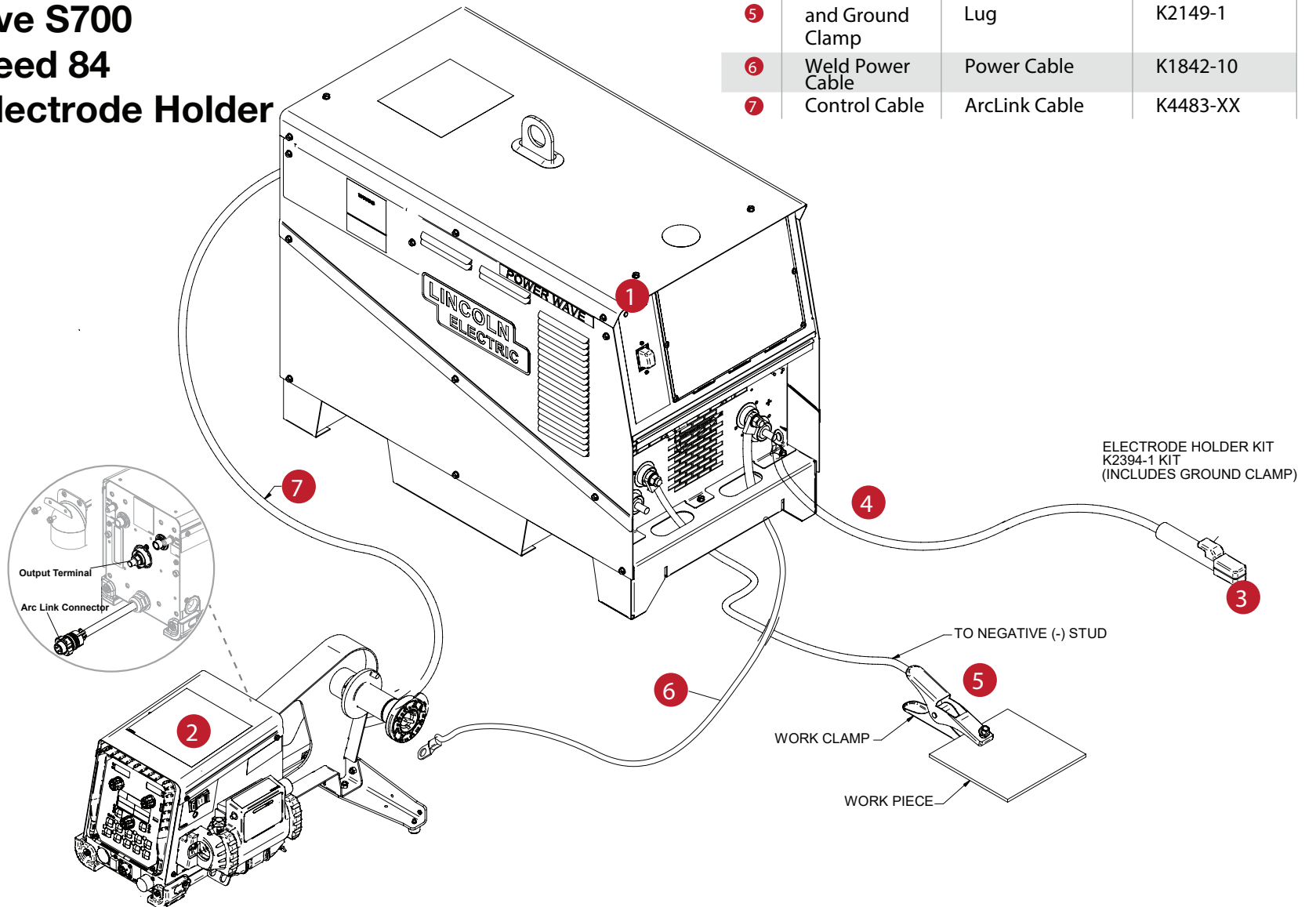


	ITEM	DESC.	K#
1	Machine	S350	K2823-3
2	Feeder	Power Feed 25M	K5236-X
3	Module	Advanced Module	K2912-1
4	Stinger	Electrode Holder EH305	K909-7
5	Adapter	Twist Mate	K852-70
6	Work Cable and Ground Clamp	Lug	K2149-1
7	Weld Power Cable	Power Cable	K1842-10
8	Control Cable	ArcLink Cable	K4483-XX

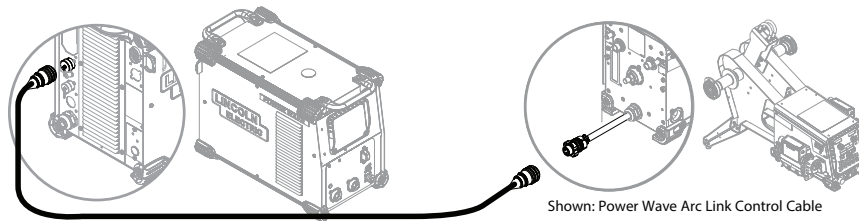
STICK (SMAW)

Power Wave S700 + Power Feed 84 + EH305 Electrode Holder

	ITEM	DESC.	K#
1	Machine	S700	K3279-1
2	Feeder	PF -84	K3328-X or K3330-X
3	Stinger	Electrode Holder EH305	K909-7
4	Cable	lugged to desired length	
5	Work Cable and Ground Clamp	Lug	K2149-1
6	Weld Power Cable	Power Cable	K1842-10
7	Control Cable	ArcLink Cable	K4483-XX



Control Cables & Adapters



	FEEDER/SYSTEM	PRODUCT NUMBER	LENGTH FT. (M)	CONNECTION	DESCRIPTION
ArcLink® Control Cables	ArkLink® Compatible Power Wave®, Power Feed®, and Flextec® systems	K1543-8	8 (2.4)	Male 5-pin to Female 5-pin	Standard ArcLink® Cable
		K4483-8	8 (2.4)	Male 5-pin to Female 5-pin	Ext-Flex ArcLink® Cable
		K4483-16	16 (4.9)		
		K4483-25	25 (7.6)		
		K4483-50	50 (15.2)		
		K4483-100	100 (30.4)		
		K2683-25	25 (7.6)		Heavy Duty ArcLink® Control Cable
		K2683-100	50 (15.2)		
Gun Adapters	Feed plate gun adapters compatible with FLEX FEED™ AND POWER FEED® series feeders	K3344-1	N/A	For Lincoln Electric Gun Connectors	Compatible Gun Connector Kits: K466-1, K613-1, K613-6, K466-8
		K3345-1 (comes installed on feeder)	N/A	For Tweco® #2 - #4 Gun Connectors	Compatible Gun Connector Kits: K466-10, K466-2, K466-6
		K3346-1	N/A	For Tweco® #5 Gun Connector	Compatible Gun Connector Kits: K613-7, K613-2
		K3347-1	N/A	For Miller® Electric Gun Connectors	Compatible Gun Connector Kits: K466-3, K613-3
		K3348-1	N/A	For OXO® Gun Connectors	N/A
		K3349-1	N/A	Magnum® Fast-Mate™	Requires use of K3344-1
		Maxtrac 2 & 4-ROLL Drive Rolls	Steel Wire Sizes (Includes Stainless Steel)	KP1696-030S	0.023-0.030 (0.6-0.8)
KP1696-035S	0.035 (0.9)				
KP1696-045S	0.045 (1.2)				
KP1696-052S	0.052 (1.4)				
KP1696-1	0.035, 0.045 (0.9, 1.2)				
KP1696-2	0.040 (1.0)				
KP1696-1/16S	1/16 (1.6)				
Cored Wire Sizes	KP1697-035C		0.030-0.035 (0.8-0.9)	N/A	N/A
	KP1697-045C		0.040-0.045 (1.0-1.2)		
	KP1697-052C		0.052 (1.4)		
	KP1697-1/16C		1/16 (1.6)		
Steel Or Cored Wire Sizes	KP1697-068		0.068-0.072 (1.8)	N/A	N/A
	KP1697-5/64		5/64 (2.0)		
	KP1697-3/32		3/32 (2.4)		
Aluminum Wire Sizes	KP1695-035A		0.035 (0.9)	N/A	N/A
	KP1695-040A		0.040 (1.0)		
	KP1695-3/64A		3/64 (1.2)		
	KP1695-1/16A		1/16 (1.6)		

Electrode and Work Weld Cables

CONNECTION	PRODUCT NUMBER	LENGTH FT. (M)	DESCRIPTION
Twist Mate™ to Lug	K1840-10	10 (3.1)	Weld Power Cable, 1/0, 350A, 60% duty cycle
Lug to Lug	K1842-10	10 (3.1)	Weld Power Cable, 3/0, 600A, 60% duty cycle
	K1842-35	35 (10.7)	Weld Power Cable, 3/0, 600A, 60% duty cycle
	K1842-60	60 (18.3)	Weld Power Cable, 3/0, 600A, 60% duty cycle
	K1842-110	110 (33.5)	Weld Power Cable, 4/0, 600A, 60% duty cycle
Twist Mate™ to Twist Mate™	K1841-25	25 (7.6)	Weld Power Cable, 1/0, 350A, 60% duty cycle
	K1841-50	50 (15.2)	Weld Power Cable, 2/0, 350A, 60% duty cycle
Lug to Lug	K2163-35 ⁽¹⁾	35 (10.7)	Weld Power Cable, 4/0
	K2163-60 ⁽¹⁾	60 (18.3)	Weld Power Cable, 4/0
Lug to Lug	K1796-25	25 (7.6)	Coaxial Weld Power Cable, 1/0, 350A, 60% duty cycle
	K1796-50	50 (15.2)	Coaxial Weld Power Cable, 1/0, 350A, 60% duty cycle
	K1796-75	75 (22.8)	Coaxial Weld Power Cable, 1/0, 325A, 60% duty cycle
	K1796-100	100 (30.4)	Coaxial Weld Power Cable, 1/0, 300A, 60% duty cycle
Lug to Lug	K2593-100	100 (30.4)	Coaxial Weld Power Cable, #1, 250A, 100% duty cycle

⁽¹⁾ Two cables per package.



K1842-10



K1841-25



K1796-25

CUSTOMER ASSISTANCE POLICY

HyperFill® Waveform Activation Capability with Power Wave® and PIPEFAB™ Systems

Your purchase of a Lincoln Power Wave Welding System comes with (i) a license to use Lincoln Electric standard Power Wave waveforms, and (ii) HyperFill waveform capability, which requires a separate license. Without the separate license, the HyperFill waveform is not available for use on these machines, and only the standard Power Wave waveforms are usable.

The business of The Lincoln Electric Company is manufacturing and selling high quality welding equipment, consumables, and cutting equipment. Our challenge is to meet the needs of our customers and to exceed their expectations. On occasion, purchasers may ask Lincoln Electric for advice or information about their use of our products. We respond to our customers based on the best information in our possession at that time. Lincoln Electric is not in a position to warrant or guarantee such advice, and assumes no liability, with respect to such information or advice. We expressly disclaim any warranty of any kind, including any warranty of fitness for any customer's particular purpose, with respect to such information or advice. As a matter of practical consideration, we also cannot assume any responsibility for updating or correcting any such information or advice once it has been given, nor does the provision of information or advice create, expand or alter any warranty with respect to the sale of our products.

Lincoln Electric is a responsive manufacturer, but the selection and use of specific products sold by Lincoln Electric is solely within the control of, and remains the sole responsibility of the customer. Many variables beyond the control of Lincoln Electric affect the results obtained in applying these types of fabrication methods and service requirements.

Subject to Change – This information is accurate to the best of our knowledge at the time of printing. Please refer to www.lincolnelectric.com for any updated information.



THE LINCOLN ELECTRIC COMPANY

22801 St. Clair Avenue • Cleveland, OH • 44117-1199 • U.S.A.

Phone: +1.216.481.8100 • www.lincolnelectric.com