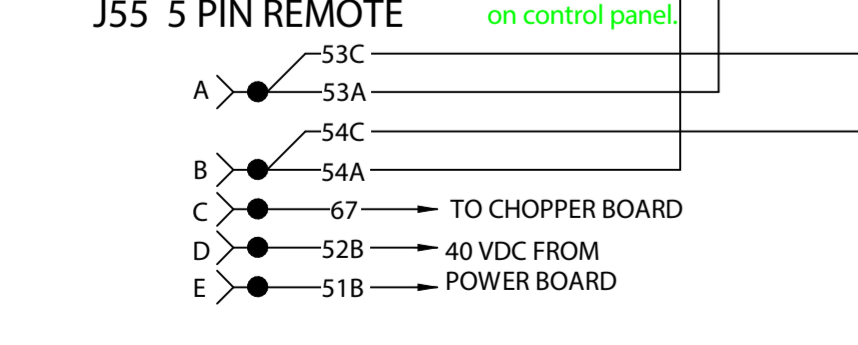
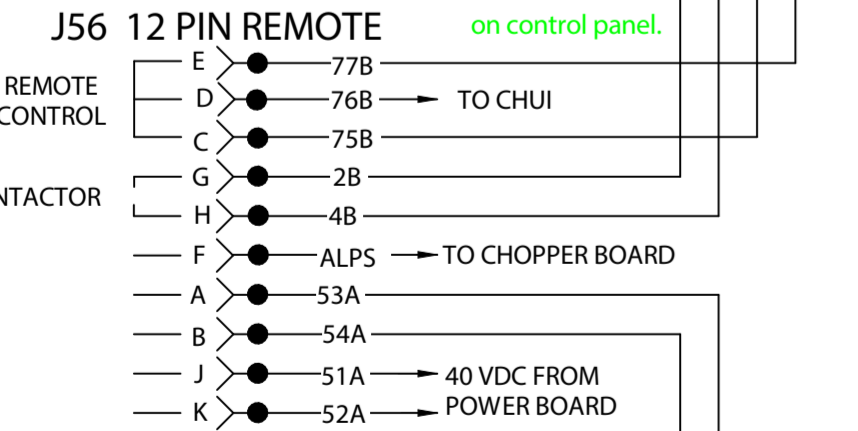
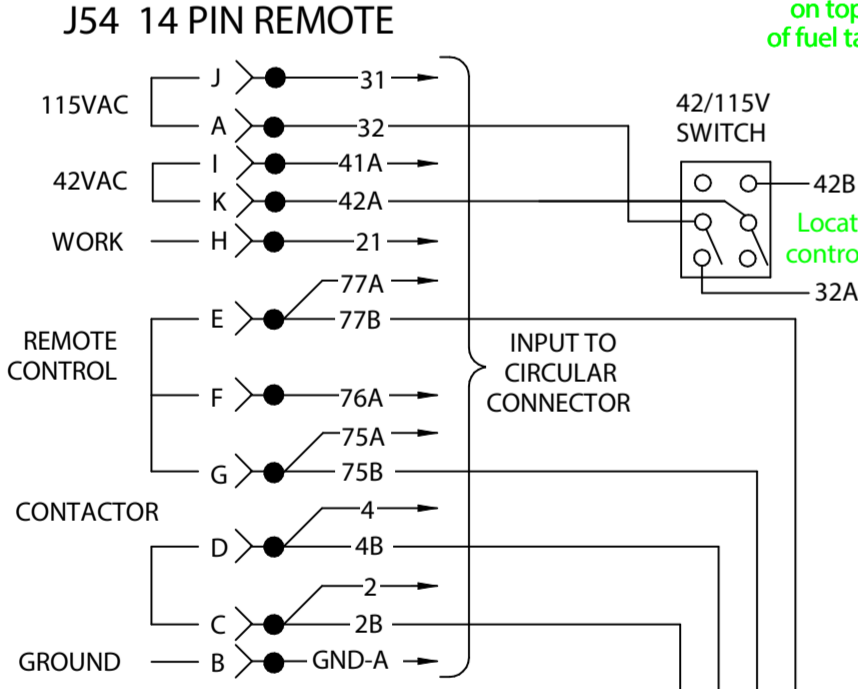
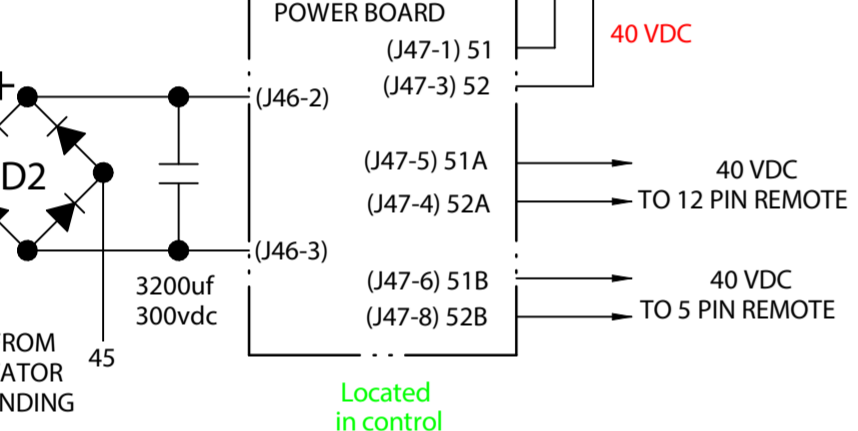
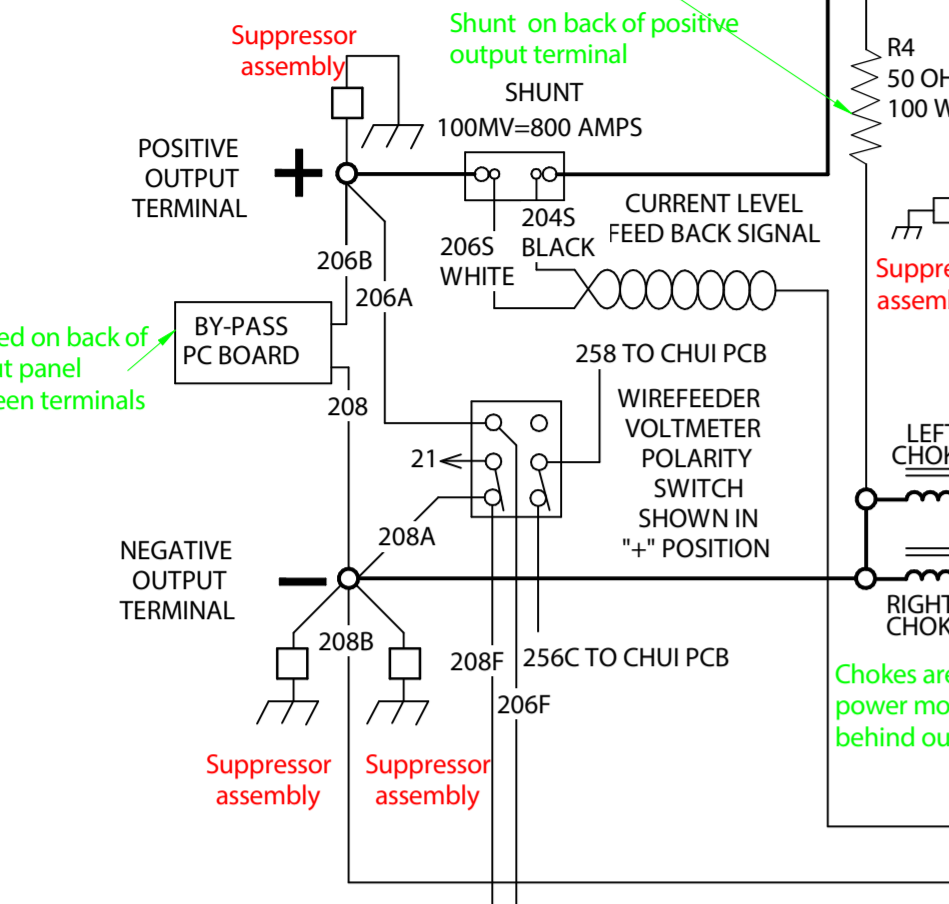
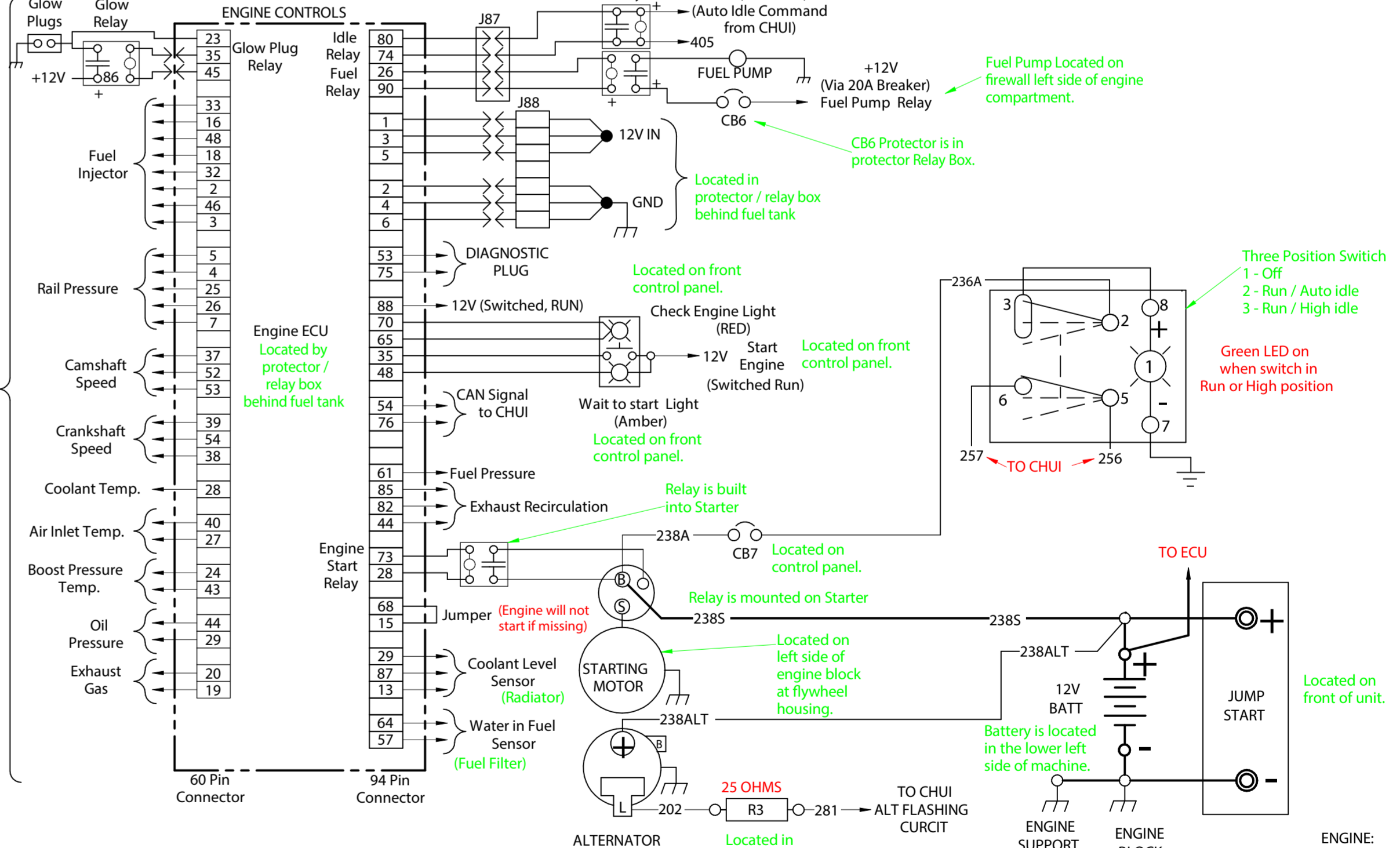
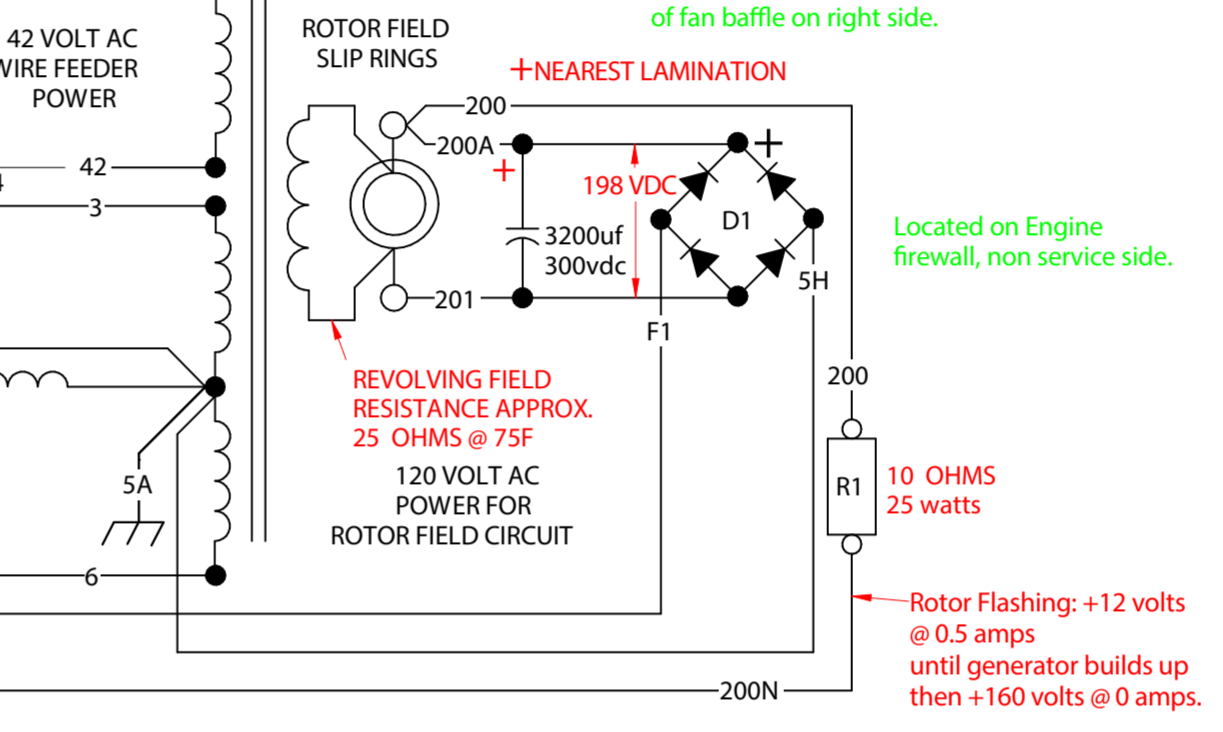
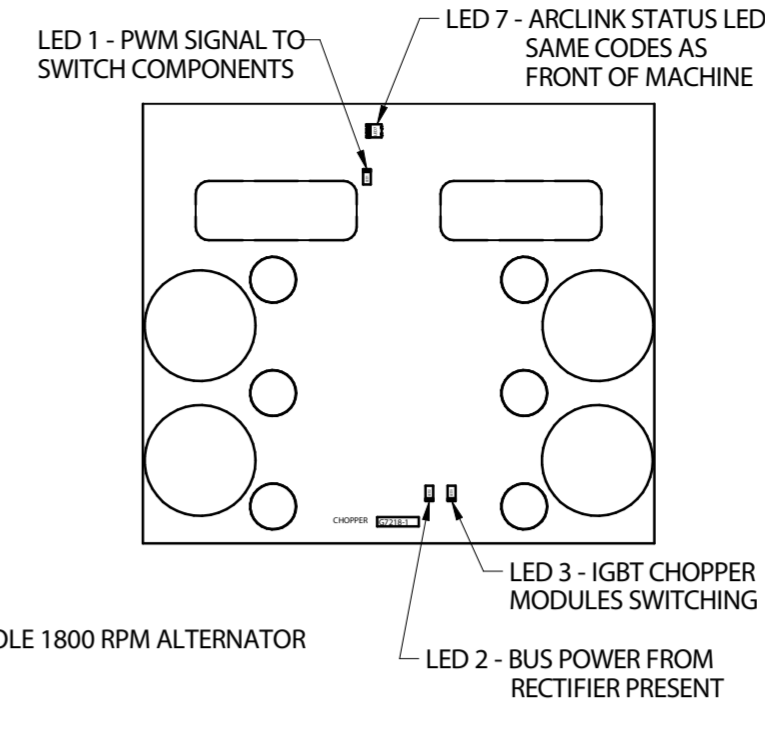
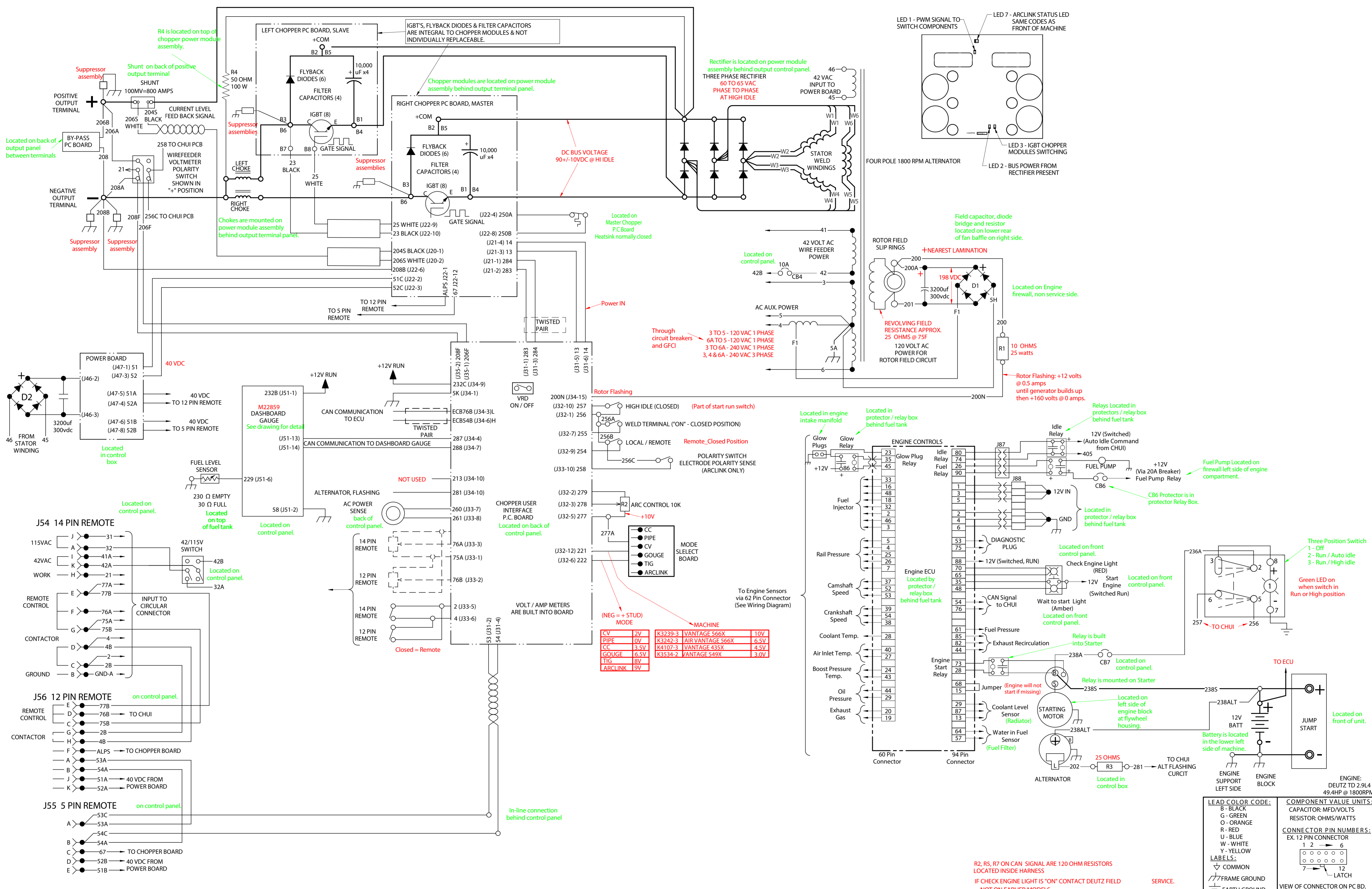


VANTAGE 549 MACHINE SCHEMATIC G10048 REV: A.01



MODE	CV	PIPE	CC	GOUGE	TIG	ARCLINK
MACHINE	2V	0V	3.5V	6.5V	8V	9V
VANTAGE 566X	2V	0V	3.5V	6.5V	8V	9V
AIR VANTAGE 566X	2V	0V	3.5V	6.5V	8V	9V
VANTAGE 438X	2V	0V	3.5V	6.5V	8V	9V
VANTAGE 549X	2V	0V	3.5V	6.5V	8V	9V

LEAD COLOR CODE:
B - BLACK
G - GREEN
O - ORANGE
R - RED
U - BLUE
W - WHITE
Y - YELLOW

LABELS:
▽ COMMON
// FRAME GROUND
⊥ EARTH GROUND

COMPONENT VALUE UNITS:
CAPACITOR: MFD/VOLTS
RESISTOR: OHMS/WATTS

CONNECTOR PIN NUMBERS:
EX. 12 PIN CONNECTOR

VIEW OF CONNECTOR ON PC BD.

R2, R5, R7 ON CAN SIGNAL ARE 120 OHM RESISTORS LOCATED INSIDE HARNESS

IF CHECK ENGINE LIGHT IS "ON" CONTACT DEUTZ FIELD SERVICE.