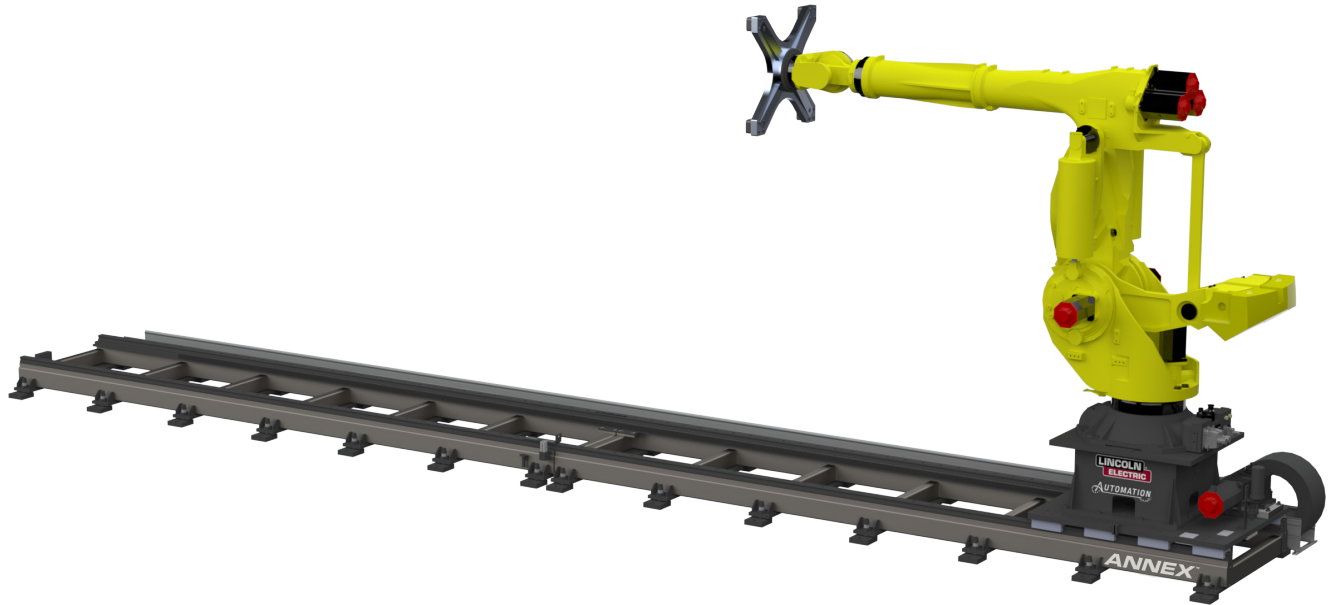


ANNEX MATERIAL HANDLING ROBOT TRANSFER UNIT

AUTOMATED POSITIONERS



*Renders are for reference only
Robot not included*

ANNEX MATERIAL HANDLING RTU ROBOT POSITIONER

This modular, easy-to-assemble track design accelerates the productivity of your automated manufacturing processes. The Lincoln Electric Automation™ ANNEX™ Material Handling robot transfer units (RTUs) accommodate the FANUC® R2000 or M900 family of robots.

KEY FEATURES

- Single carriage plate
- Rack and pinion drive assembly
- THK® linear rails and bearings
- Flexible Dynatek® cable carrier
- GAM™ gearbox
- Leveling bolt design

OPTIONS AVAILABLE

- MEMOLUB® lubrication system
- Robot riser ≤ 600 mm
- Robot integration services
- Additional track types
 - » Overhead
 - » Elevated base
- Custom paint colors

INDUSTRY

- General Industry
- Heavy Fabrication
- Automotive

CONTACT LINCOLN ELECTRIC AUTOMATION - BETTENDORF



3129 State St
Bettendorf, IA 52722



+1 [563] 355-4812



sales_bettendorf@lincolnelectric.com

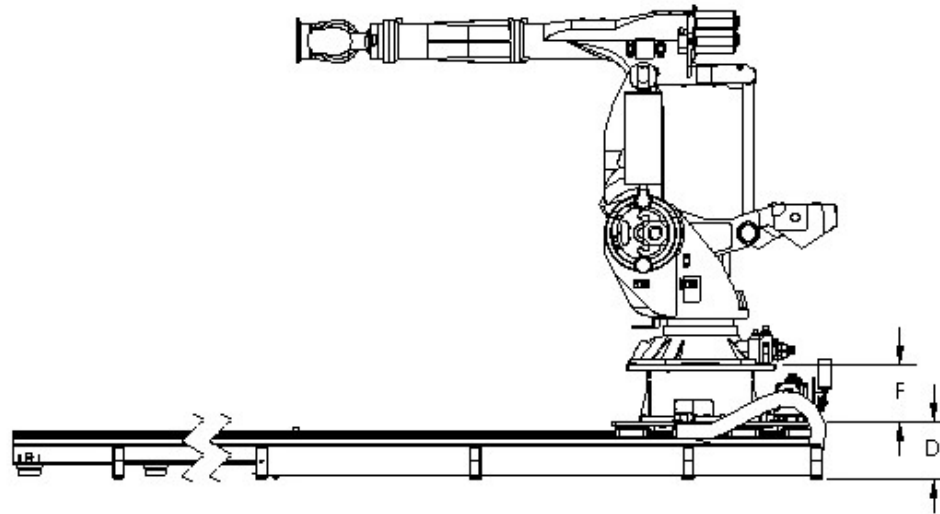
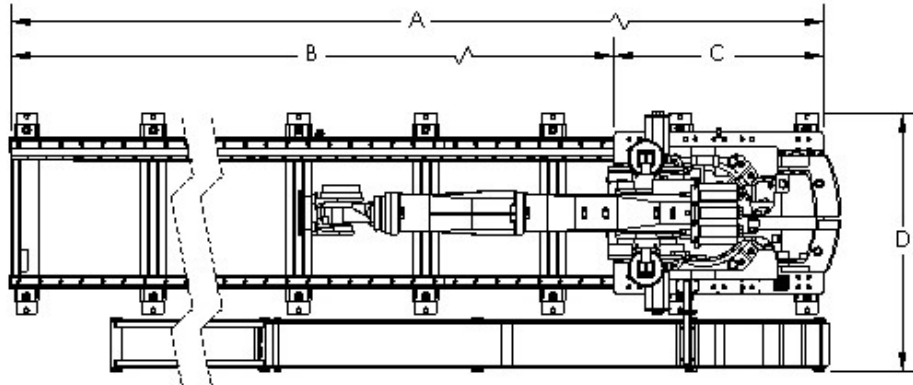


www.lincolnelectric.com
www.vizient.com

Publication LEA-070523TM2-01

© Lincoln Global Inc. All Rights Reserved. All trademarks and registered trademarks are the property of their respective owners.
www.lincolnelectric.com/automation





PRODUCT SPECIFICATIONS

Product Number	Model	Nominal Overall Length (A)	Nominal Travel (B)	Carriage Length (C)	Overall Width (D)	
AD2524	Material Handling Track	A = B + C	1-20 m* *nominal 0.50 meter increments	1.5 m	1850 mm	
		Track Base Height (E)	Robot Riser Height (F)	Travel Speeds		Robot Mass & Payload
		390 mm	Up to 600 mm *300mm riser may be required based on robot model/orientation	Accel/Decel	Maximum	
			Up to 1.00 sec	Up to 2.00 m/sec		

This product is highly configurable. Please consult a Lincoln Electric Automation specialist to discuss custom options.

Important Note: Changes from recommended motor sizing, payload, duty cycles, cable routing, weld grounding (if applicable), other system specifications (i.e. servo parameters, controller stop parameter), and/or modifications may affect cycle times and overall performance. User assumes all responsibility for proper rigging, installation, and machine setting alignments of product(s). Manufacturer's warranty is void to the extent any failure caused by improper installation, modification, or operation by customer.

CUSTOMER ASSISTANCE POLICY

The business of Lincoln Electric is manufacturing and selling high quality welding equipment, automated welding systems, consumables, and cutting equipment. Our challenge is to meet the needs of our customers, who are experts in their fields, and to exceed their expectations. On occasion, purchasers may ask Lincoln Electric for information or technical information about their use of our products. Our employees respond to inquiries to the best of their ability based on information and specifications provided to them by the customers and the knowledge they may have concerning the application. Our employees, however, are not in a position to verify the information provided or to evaluate the engineering requirements for the particular weldment, or to provide engineering advice in relation to a specific situation or application. Accordingly, Lincoln Electric does not warrant or guarantee or assume any liability with respect to such information or communications. Moreover, the provision of such information or technical information does not create, expand, or alter any warranty on our products. Any express or implied warranty that might arise from the information or technical information, including any implied warranty of merchantability or any warranty of fitness for any customers' particular purpose or any other equivalent or similar warranty is specifically disclaimed.

Lincoln Electric is a responsive manufacturer, but the definition of specifications, and the selection and use of specific products sold by Lincoln Electric is solely within the control of, and remains the sole responsibility of the customer. Many variables beyond the control of Lincoln Electric affect the results obtained in applying these types of fabrication methods and service requirements.

THE LINCOLN ELECTRIC COMPANY
22801 Saint Clair Avenue · Cleveland, OH · 44117 · U.S.A.
Phone: +1 216.481.8100 · www.lincolnelectric.com