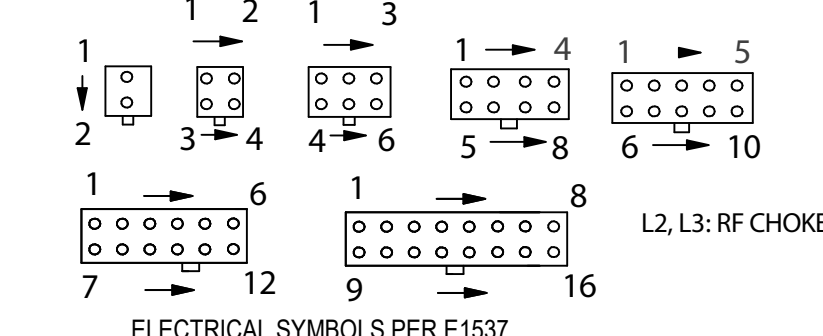
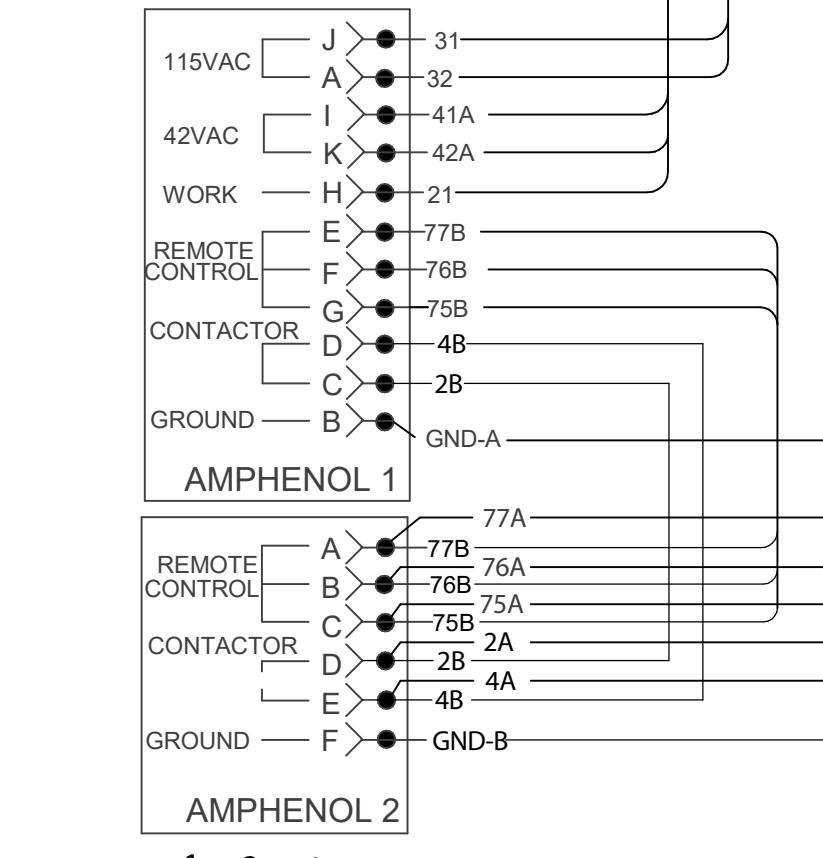
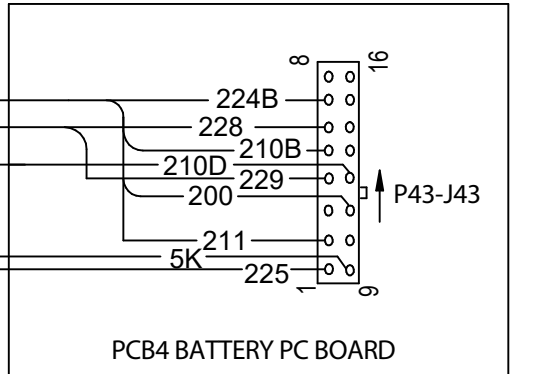
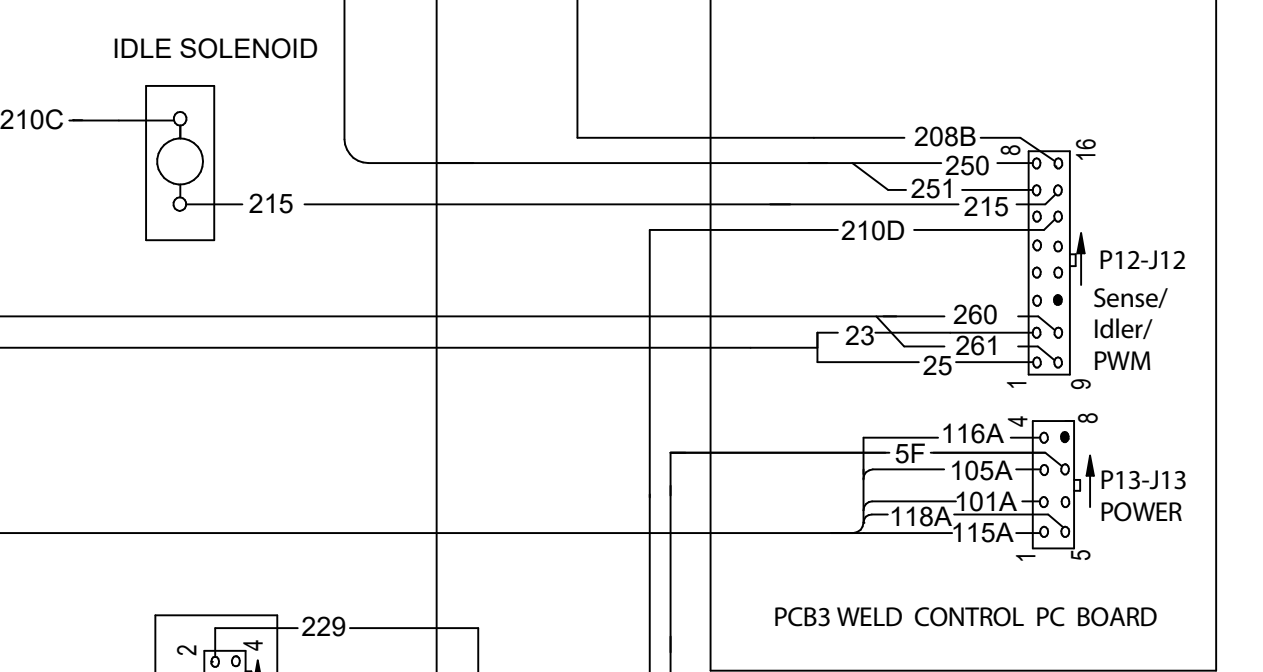
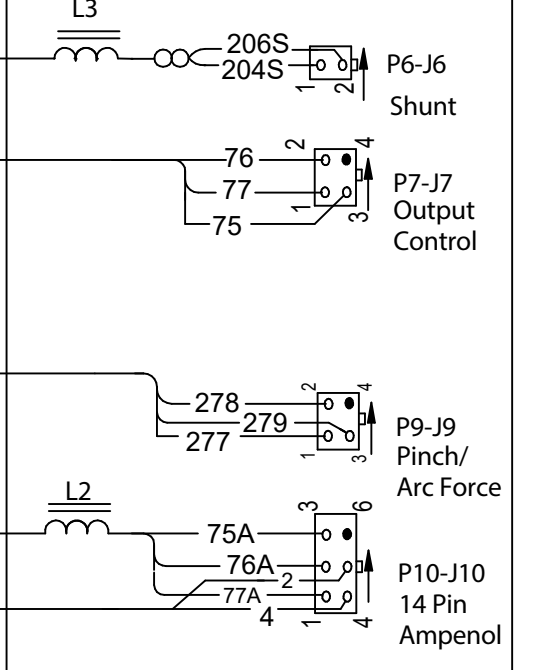
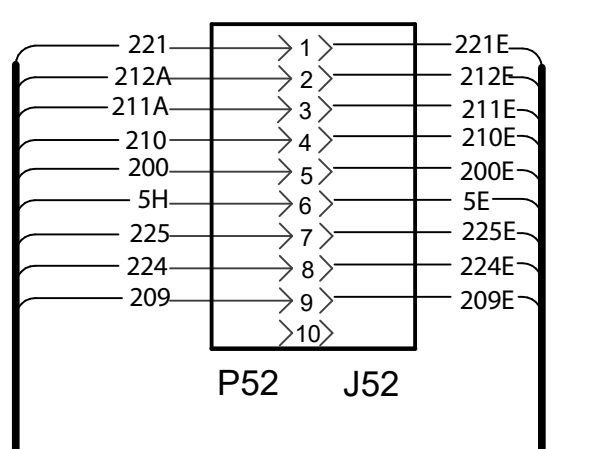
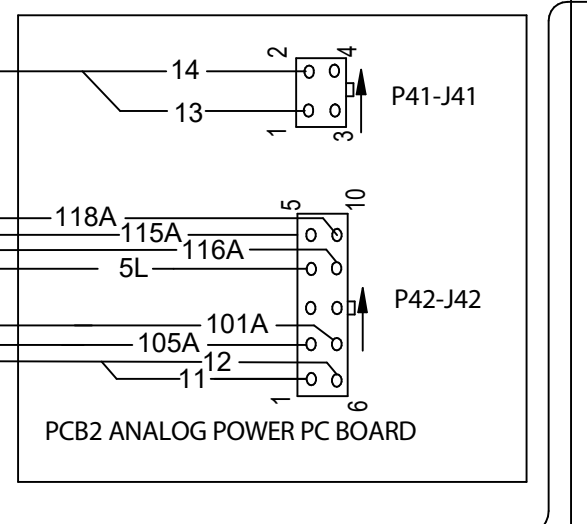
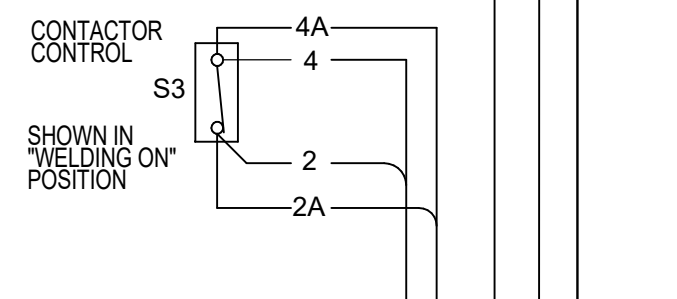
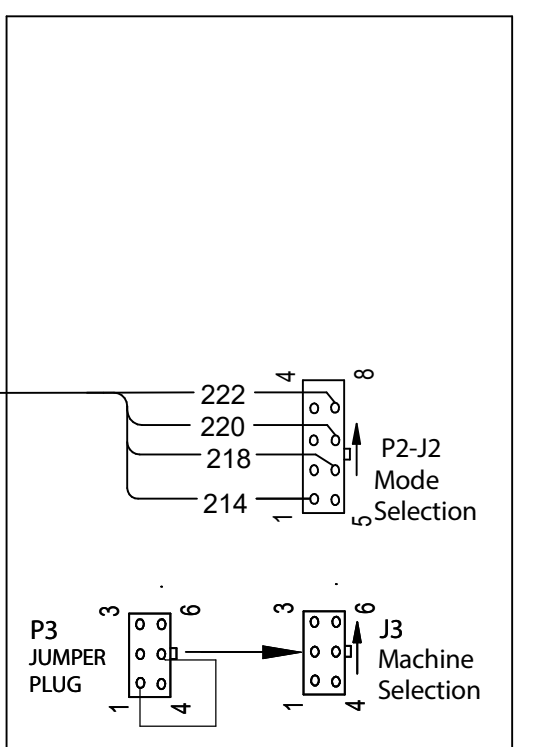
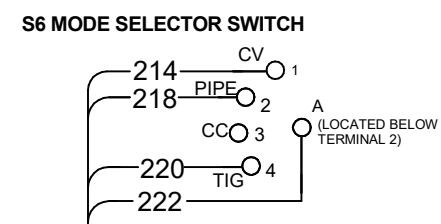
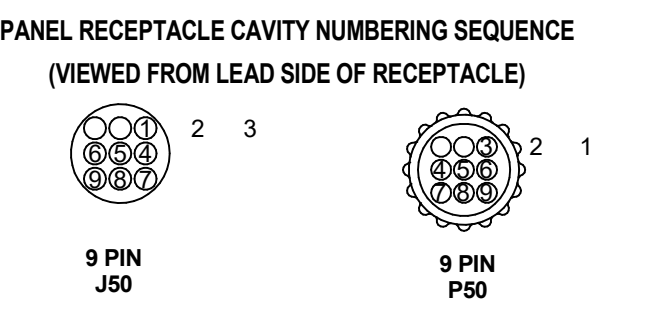
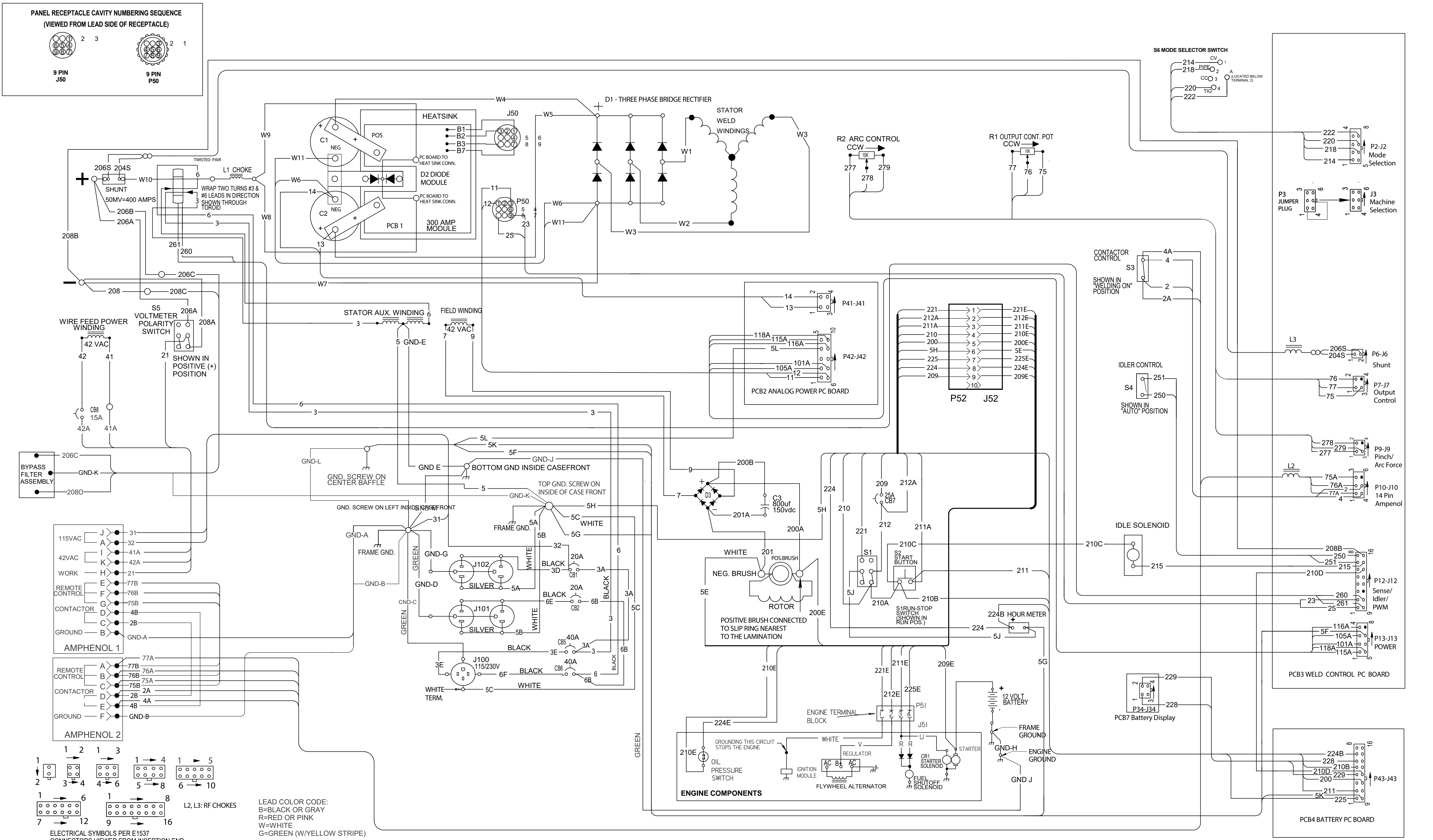


RANGER 250 WIRING DIAGRAM G3877 REV: C



ALL CASE FRONT COMPONENTS SHOWN VIEWED FROM REAR.