

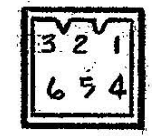
VOLTMETER

WIRE SPEED CONTROL

VOLTAGE CONTROL

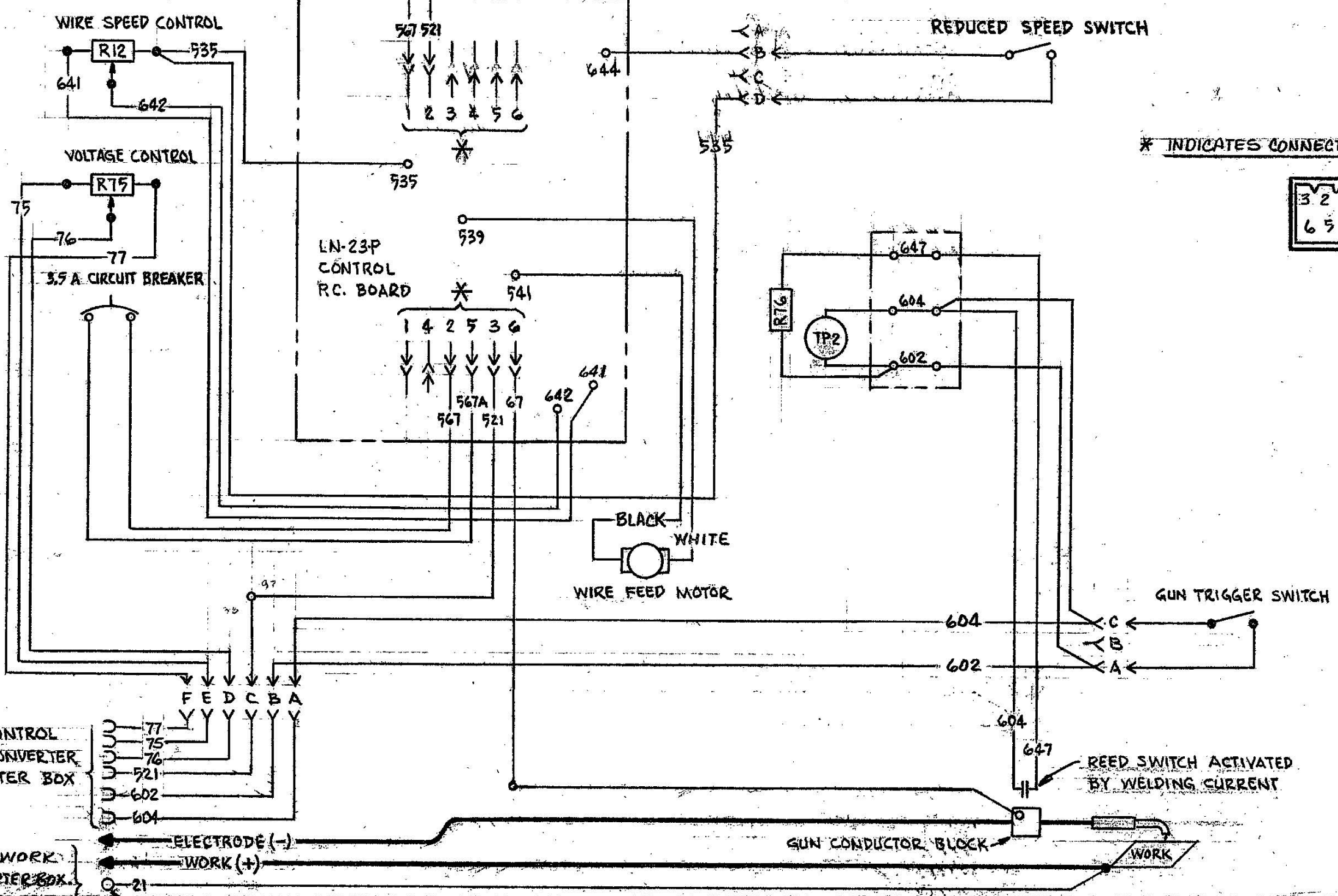
REDUCED SPEED SWITCH

* INDICATES CONNECTOR CAVITY NO.

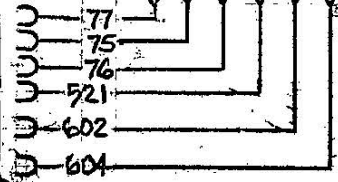


LEGEND

- R12 - 10KΩ, 4W
- R75 - 10KΩ, 4W
- R76 - 100Ω, 1W
- TP2 - 82V, 12J



6 CONDUCTOR CONTROL
CABLE TO C.V. CONVERTER
OR LN-23P ADAPTER BOX



REMOTE VOLTAGE SENSING WORK
LEAD TO CONVERTER OR LN-23P ADAPTER BOX
MUST BE #12 RUBBER COVERED
FLEX LEAD OR LARGER. (TO BE
SUPPLIED BY CUSTOMER)



CLOSED LUG TO MAKE A BOLTED & TAPED CONNECTION.

TOLERANCES UNLESS OTHERWISE SPECIFIED
± 1/16 ON ALL FRACTIONAL DIMENSIONS
± .002 ON ALL DECIMAL DIMENSIONS
± 1/2° ON ALL ANGLES

9-7-81
5-2-81
2-2-81
1-21-81
12-18-80