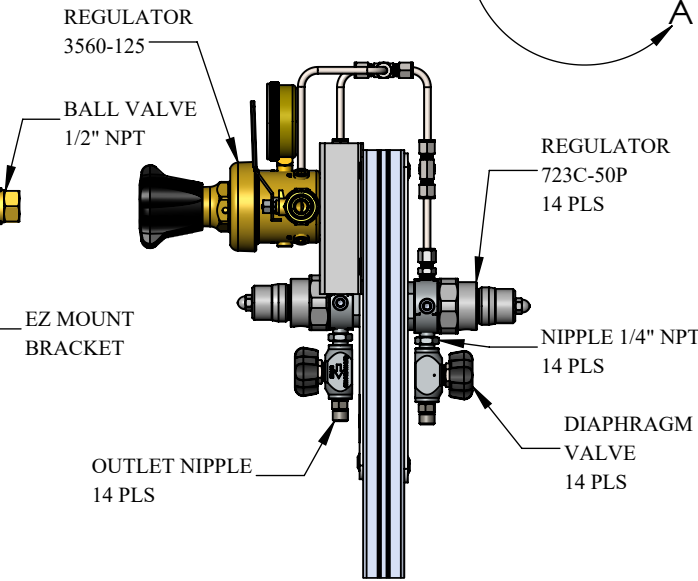
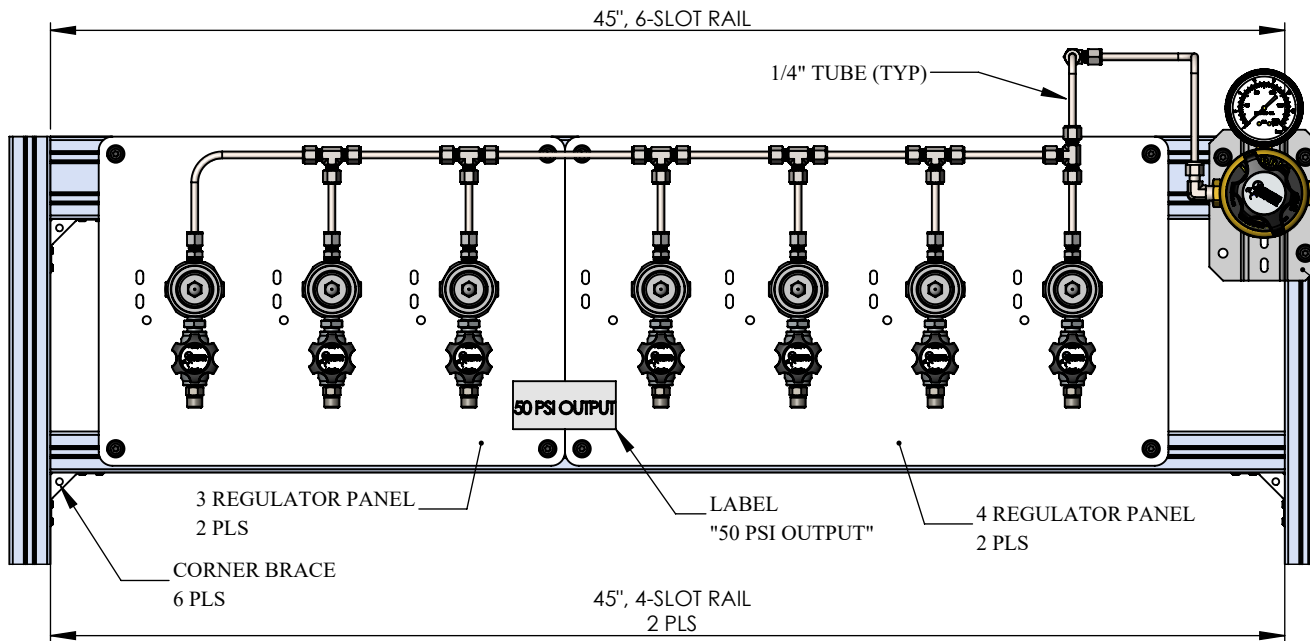
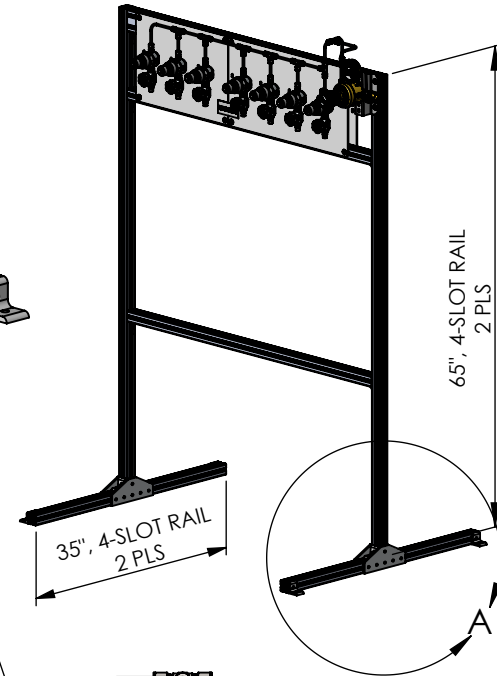
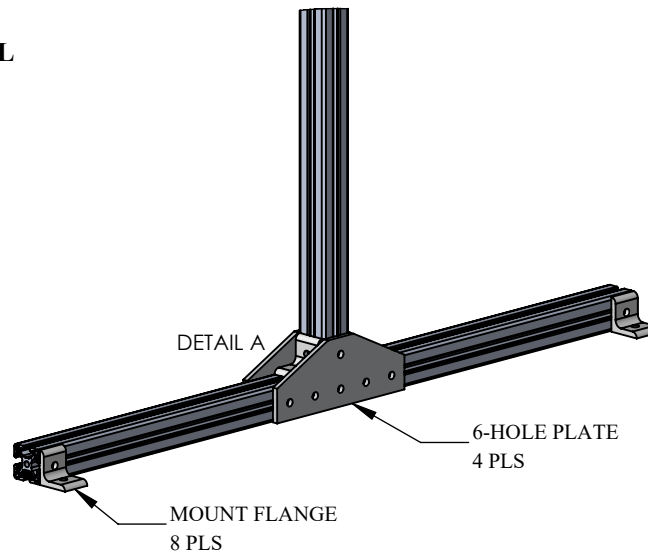
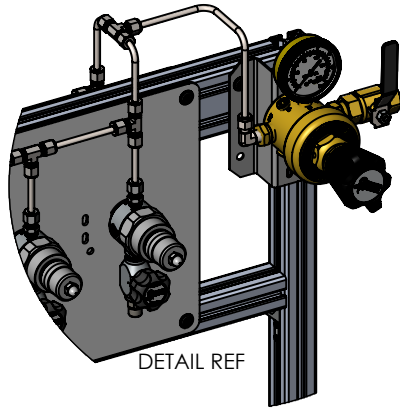




PREPARED FOR: N/A
 PROJECT: PRESET REGULATION PANEL
 (800) 733-4043 PROMPT 2
 harrisspecgas@lincolnelectric.com
 Ordering #: SPPRD03262003DG



Sign Upon Approval

ADDITIONAL INFO/ SPECS:

- 723 REGULATORS PRESET TO 50 PSI

Date Created: 04/01/20
 Revision Date: 04/05/20 Rev: 2

"Copyright 2020. The Harris Product Group. The drawings above, and copyrights thereto, are the sole property of The Harris Products Group. Any reproduction, distribution, derivative works or creation of parts based thereon without the express written consent of The Harris Products Group is expressly prohibited."

Customer: _____ P.O.# _____

Approved By: _____ Date Approved: _____

Please fax or email back upon approval, or mark up specific changes and resubmit. Fax to (800) 841-3738