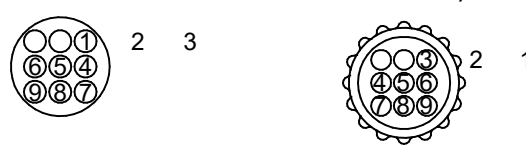


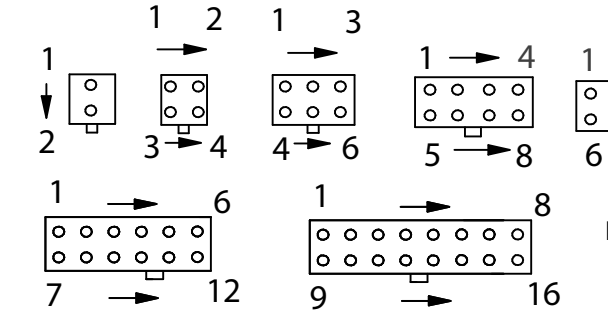
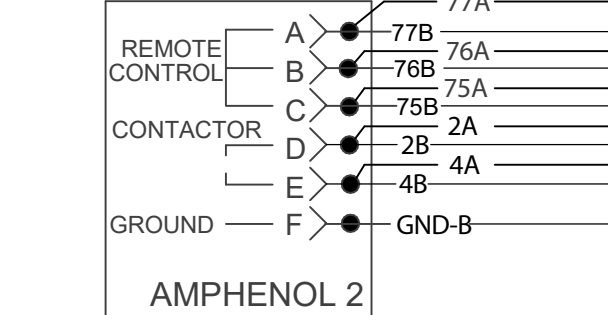
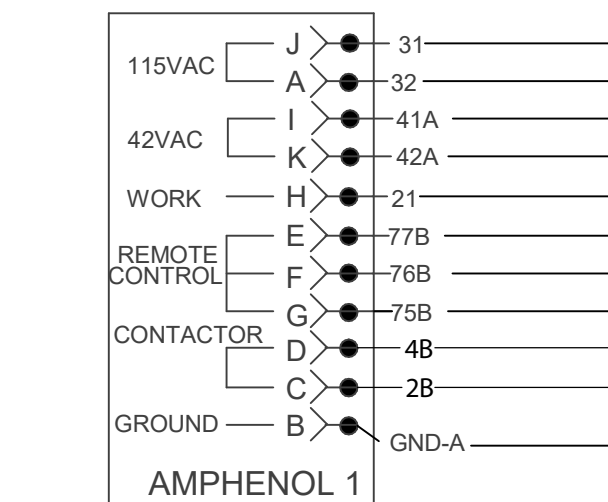
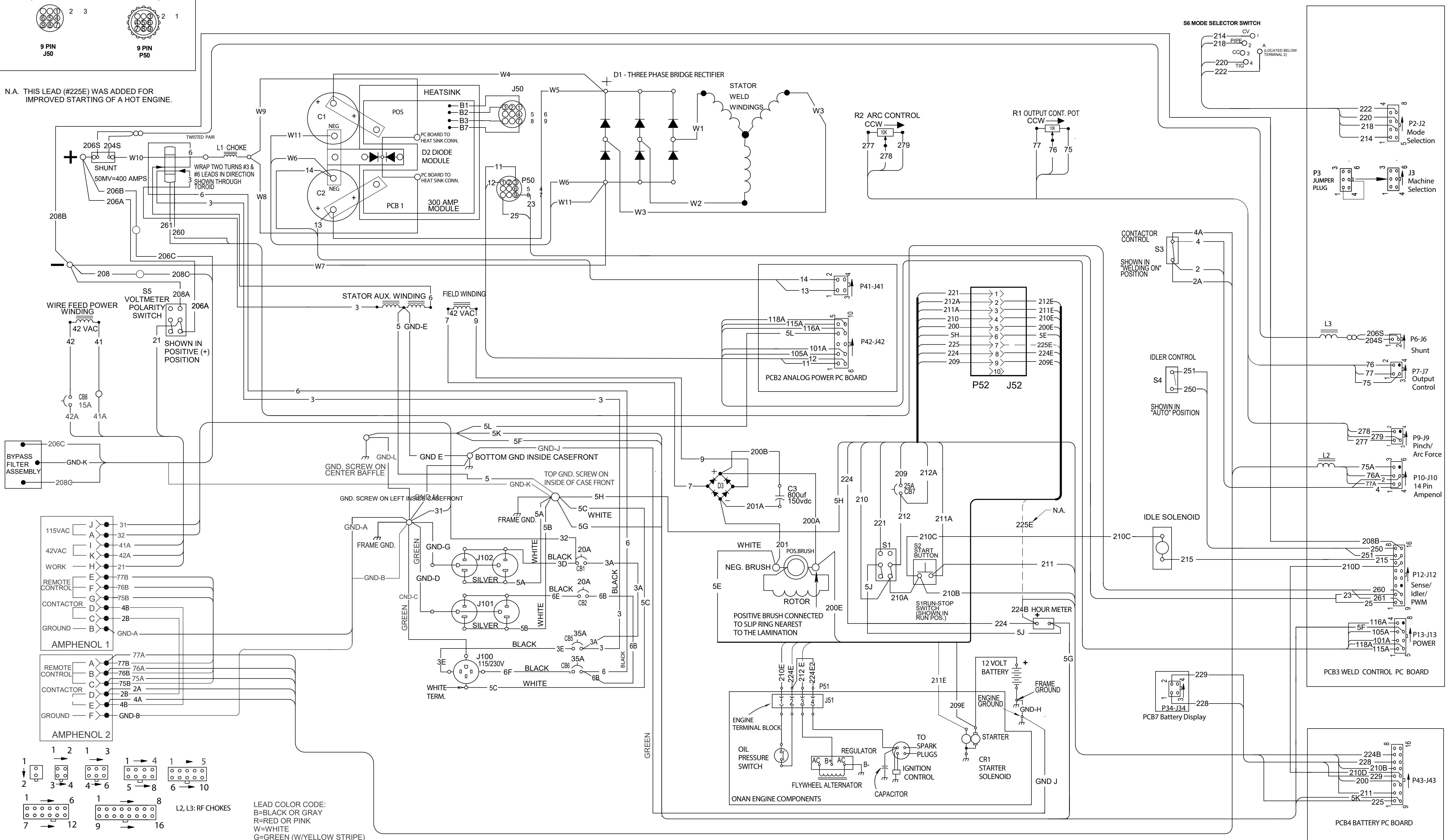
RANGER 250 ONAN WIRING DIAGRAM G3878 REV: B

PANEL RECEPTACLE CAVITY NUMBERING SEQUENCE

(VIEWED FROM LEAD SIDE OF RECEPTACLE)



N.A. THIS LEAD (#225E) WAS ADDED FOR IMPROVED STARTING OF A HOT ENGINE.



LEAD COLOR CODE:
 B=BLACK OR GRAY
 R=RED OR PINK
 W=WHITE
 G=GREEN (W/YELLOW STRIPE)

CONNECTORS VIEWED FROM INSERTION END
 ALL CASE FRONT COMPONENTS SHOWN VIEWED FROM REAR.



CLEVELAND, OHIO U.S.A.