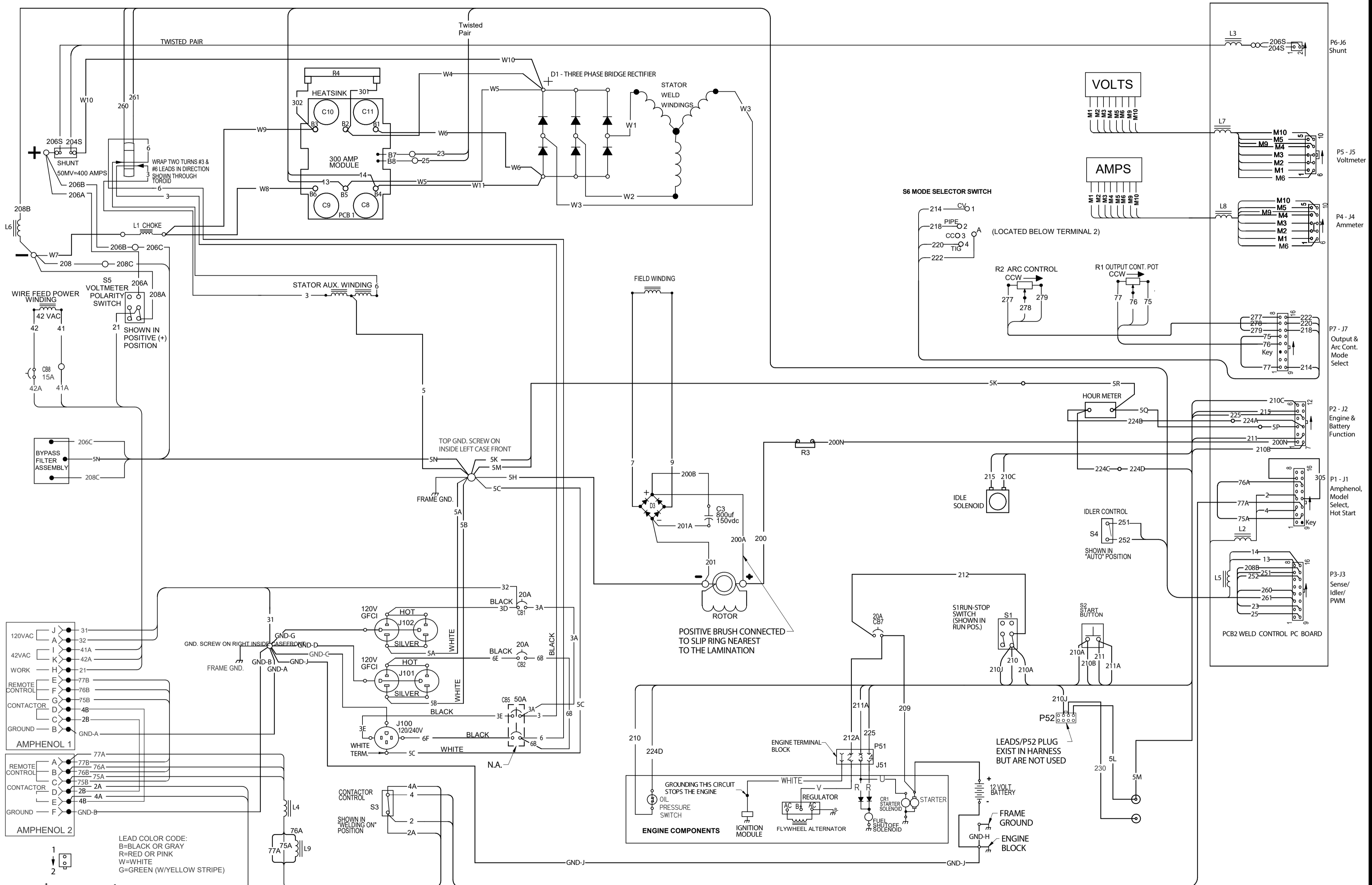


RANGER 305 LPG WIRING DIAGRAM G6844 REV: A



LEAD COLOR CODE:
 B=BLACK OR GRAY
 R=RED OR PINK
 W=WHITE
 G=GREEN (W/YELLOW STRIPE)

N.A. ON MACHINE CODES BELOW 11273, CB5 WAS TWO SINGLE POLE BREAKERS IDENTIFIED AS CB5 & CB6.

CONNECTORS VIEWED FROM INSERTION END
 ALL CASE FRONT COMPONENTS SHOWN VIEWED FROM REAR.



CLEVELAND, OHIO U.S.A.