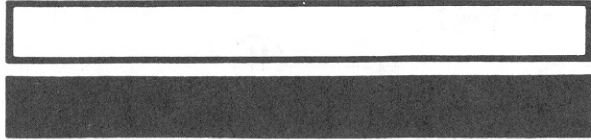


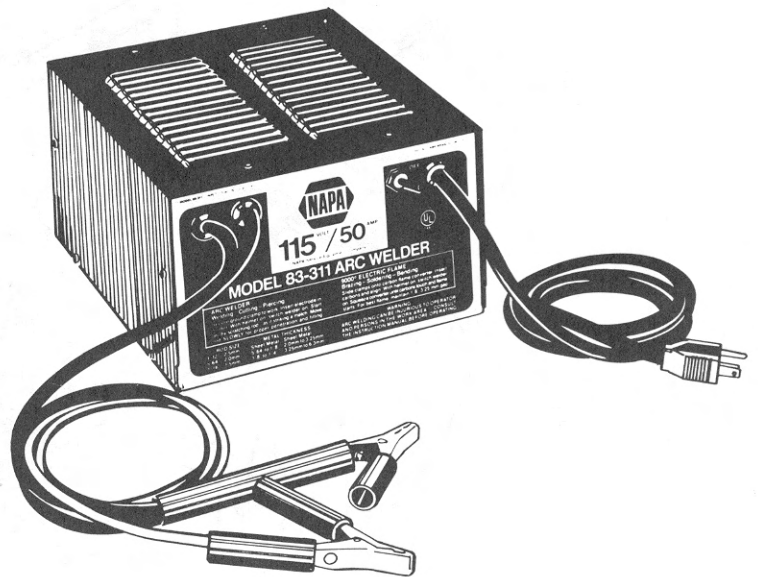
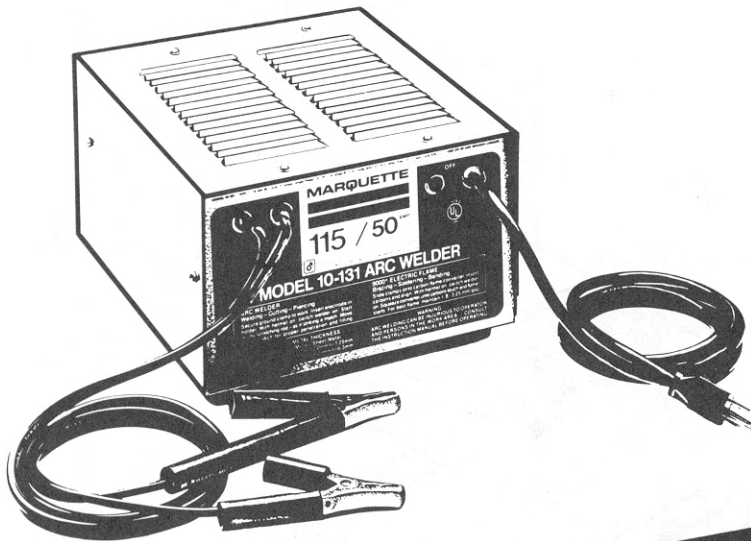
MARQUETTE



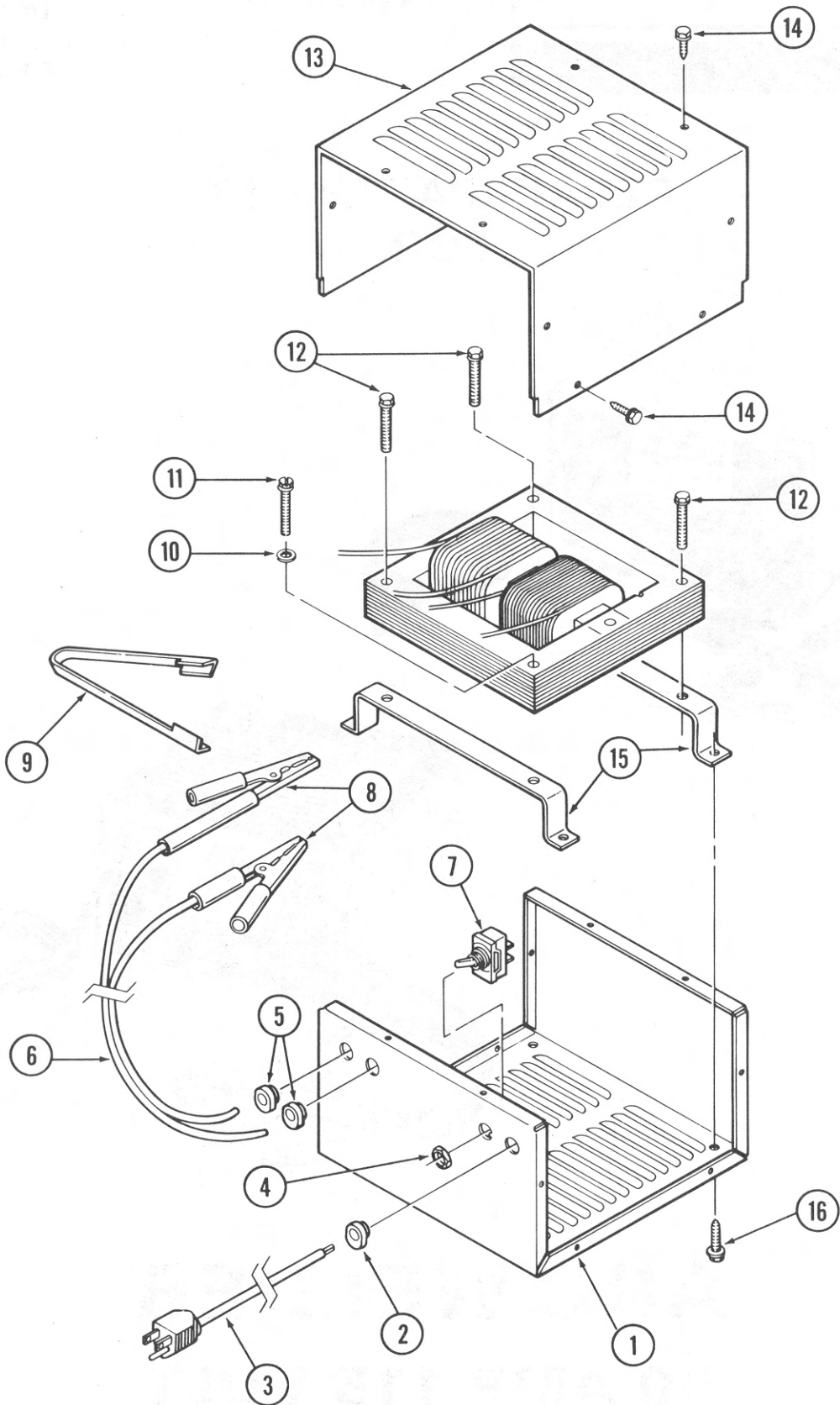
CATEGORY B

MODEL NUMBER
MARQUETTE
10-131
NAPA
83-311

REPAIR PARTS LIST FOR



ARC WELDER 50 AMP 115 VOLT



REPAIR PARTS LIST

Code No.	Part No.	Description	No. Req'd
1	61986299	Cabinet (Marquette)	1
	61986300	Cabinet (NAPA)	1
2	48000010	Strain Relief	1
3	46900020	Power Cord	1
4	30300035	Hex Panel Nut	1
5	48000012	Strain Relief	2
6	46900021	Weld Cable	1
7	43600026	Toggle Switch	1
8	95080878	Weld Cable Accessory Kit	1
9	21000360	Carbon Flame Handle	1
10	69941939	Lockwasher	1
11	30100107	Hex Washer Head Screw	1
12	30100105	Hex Washer Head Screw	3
13	21000371-225	Cabinet Wrap (Marquette)	1
	21000371-191	Cabinet Wrap (NAPA)	1
14	30100108	Hex Washer Head Screw	12
15	21000365	Foot	2
16	30100104	Hex Washer Head Screw	4

NUMERICAL PART LISTING

Part No.	Code No.	Part No.	Code No.	Part No.	Code No.
21000360	9	30100107	11	48000010	2
21000365	15	30100108	14	48000012	5
21000371-191	13	30300035	4	61986299	1
21000371-225	13	43600026	7	61986300	1
30100104	16	46900020	3	69941939	10
30100105	12	46900021	6	95080878	8

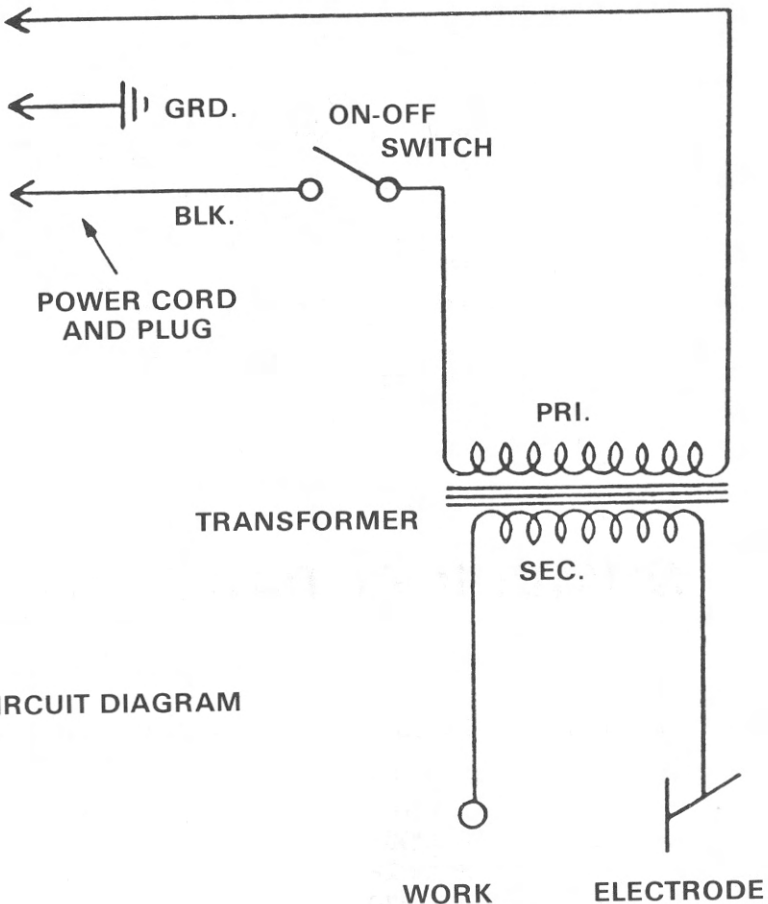
ORDER BY PART NUMBER, **NOT** BY CODE NUMBER

WIRING DIAGRAM

Arc Welder Model No. 10-131/83-311

115 VOLTS

WHT.



CIRCUIT DIAGRAM