

LF 5D WIRE FEEDER STD LF 5D WIRE FEEDER STD (GFR)

Spare Parts	1
Figure A: Machine Assembly.....	2
Figure B: Partition Assembly	3
Figure C: Wire Drive Assembly	4
Figure D: Front Assembly.....	5
Figure E: Back Panel.....	6
Miscellaneous Items (not shown in figure A, B, C, D, E)	6
Electrical Schematic.....	7
CODE: 50677, 50706	7



Spare Parts

SP50677, SP50706 REV01
12/2023

ASSEMBLY PAGE NAME			Machine Assembly	Partition Assembly	Wire Drive Assembly	Front Assembly	Back Panel	Miscellaneous Items
CODE NO.:	K NO.:	FIGURE NO.:	A	B	C	D	G	
50677	K14410-1	LF-5D WIRE FEEDER STD	1	1	1	1	1	1
50706	K14410-2	LF-5D WIRE FEEDER STD (GFR)	2	1	1	1	1	1

*items highlighted in bold are recommended spare parts

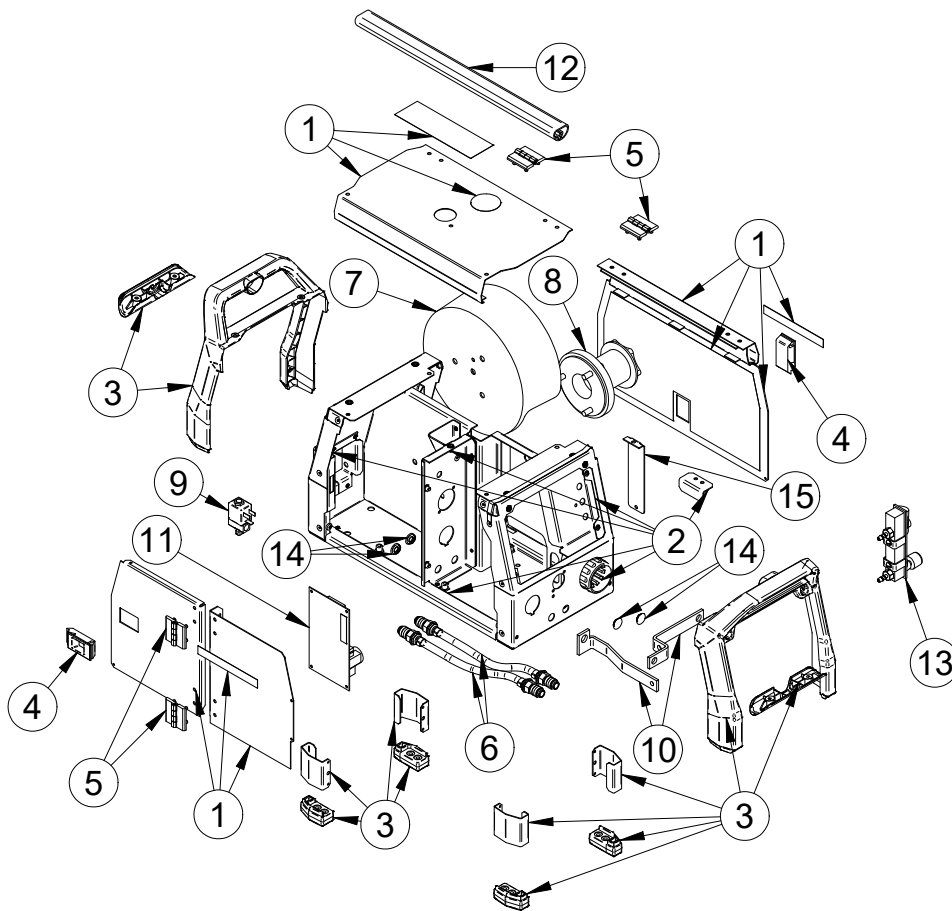


Figure A

Figure A: Machine Assembly

Item	Description	Part Number	QTY	1	2	3	4	5	6	7
1	SIDE PANEL KIT includes:	T-8040-217-1R	1	X	X					
	SIDE PANEL		1	X	X					
	LABEL		1	X	X					
	COVER		1	X	X					
	LABEL		1	X	X					
	COVER		1	X	X					
	LABEL		1	X	X					
	LABEL		1	X	X					
	SIDE PANEL		1	X	X					
	SIDE PANEL		1	X	X					
	LABEL		1	X	X					
2	BASE, PARTITION, SHELF KIT:	T-8040-216-1R	1	X	X					
	FRAME		1	X	X					
	EURO SLEEVE		1	X	X					
	FRONT PANEL		1	X	X					
	BRACKET		1	X	X					
3	PANEL KIT includes:	T-8040-215-1R	1	X	X					
	FRAME		2	X	X					
	BLACK CAP		2	X	X					
	COVER		2	X	X					
	COVER		2	X	X					
	FOOT RIGHT		2	X	X					
	FOOT LEFT		2	X	X					
4	DOOR LATCH PT,LF	0654-610-004R	2	X	X					
5	DOOR LATCH LF37/38	0654-610-007R	4	X	X					
6	WATER CONNECTION KIT:	T-8040-214-1R	1	X						
	COOLING HOSES		1	X						
	QUICK CONNECTOR		4	X						
7	WIRE REEL ENCLOSURE	R-0010-867-1R	1	X	X					
8	EIXO DA BOBINA COMPLETO	0744-000-247R	1	X	X					
9	GAS SOLENOID	W8500011R	1	X	X					
10	COPPER BAR KIT	T-8040-213-1R	1	X	X					
11	CONTROL BOARD	R-6042-125-1R	1	X	X					
12	HANDLE L=418MM	W92X0228-8R	1	X	X					
13	GAS FLOW INDICATOR	R-8040-353-1R	1		X					
14	STOPPER TZ8	1119-510-005R	4		X					
15	COVER	R-1019-729-1R	1	X						

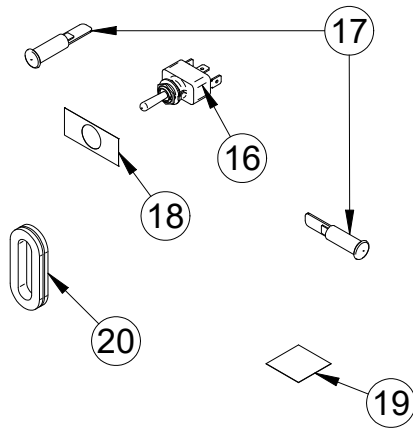


Figure B

Figure B: Partition Assembly

Item	Description	Part Number	QTY	1	2	3	4	5	6	7
16	TOGGLE SWITCH HY29J	1115-280-004R	1	X	X					
17	LAMP WHITE LS3N.1/D-6 (20V)	0917-421-049R	2	X	X					
18	LABEL	R-0000-414-1R	1	X	X					
19	STICKER HAND	2719-107-732R	1	X	X					
20	GROMMET RUBBER	W8400041R	1	X	X					

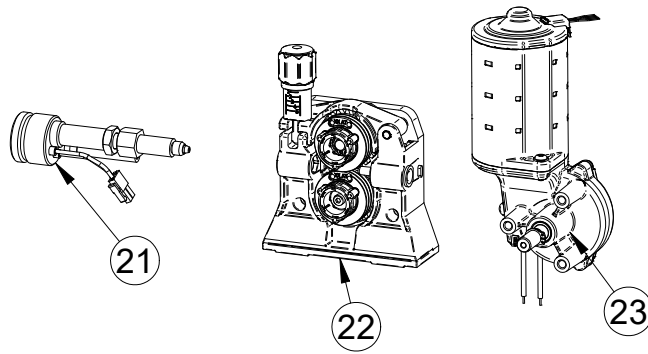


Figure C

Figure C: Wire Drive Assembly

Item	Description	Part Number	QTY	1	2	3	4	5	6	7
21	EURO SOCKET	R-8040-523-1R	1	X	X					
22	WIRE DRIVE SWISSFEED ST2	0744-000-342R	1	X	X					
23	WIRE MOTOR	T-8040-049-1R	1	X	X					

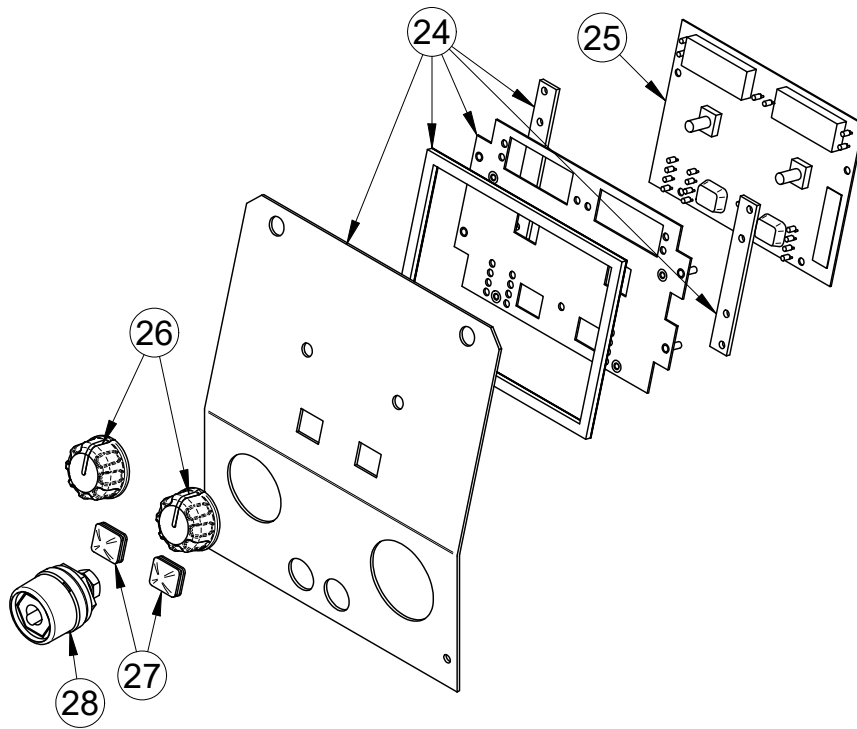


Figure D

Figure D: Front Assembly

Item	Description	Part Number	QTY	1	2	3	4	5	6	7
24	FRONT PANEL KIT:	T-8040-212-1R	1	X	X					
	DISPLAY FRONT PANEL		1	X	X					
	BRACKET		1	X	X					
	BRACKET		2	X	X					
	GASKET		1	X	X					
25	USER INTERFACE PCB	R-6042-116-1R	1	X	X					
26	KNOB	9SM22778-2	2	X	X					
27	BUTTON	9SS23055	2	X	X					
28	SOCKET	90000595PR	1	X	X					

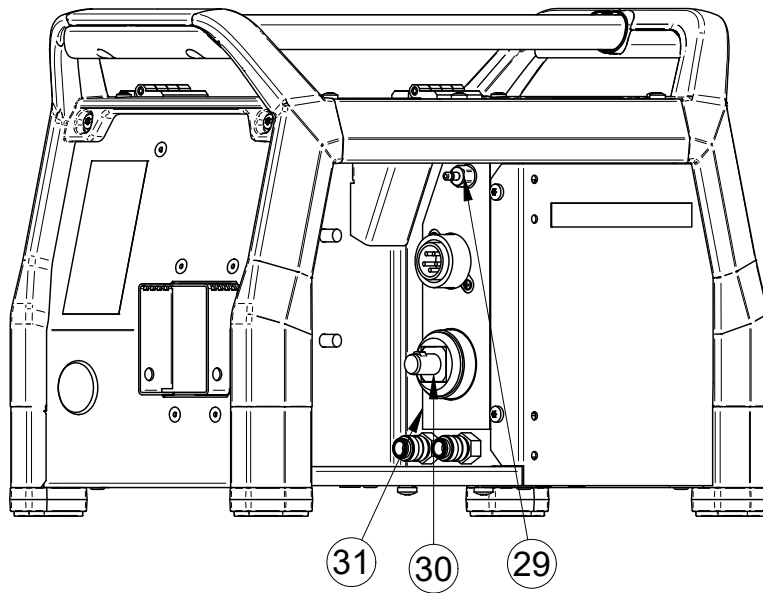


Figure E

Figure E: Back Panel

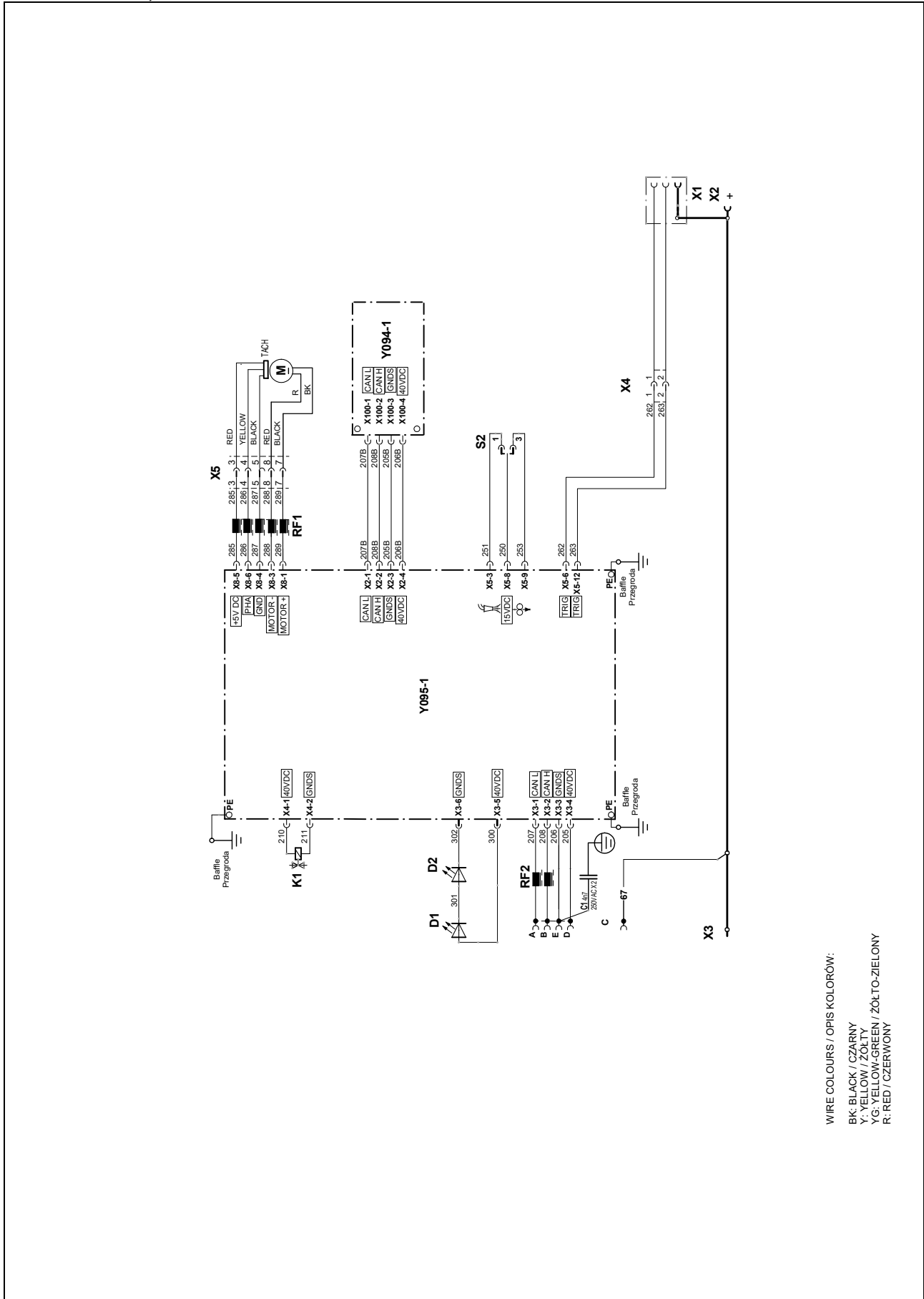
Item	Description	Part Number	QTY	1	2	3	4	5	6	7
29	GAS CONNECTION KIT	T-8040-055-1R	1	X	X					
30	SOCKET	D-2985-002-1R	1	X	X					
31	LABEL	R-0000-413-1R	1	X	X					

Miscellaneous Items (not shown in figure A, B, C, D, E)

Item	Description	Part Number	QTY	1	2	3	4	5	6	7
32	HARNESS KIT	T-8040-218-2R	1	X	X					

Electrical Schematic

CODE: 50677, 50706



WIRE COLOURS / OPIS KOLORÓW:
 BK: BLACK / CZARNY
 Y: YELLOW / ŻÓŁTY
 YG: YELLOW-GREEN / ŻÓŁTO-ZIEŁONY
 R: RED / CZERWONY