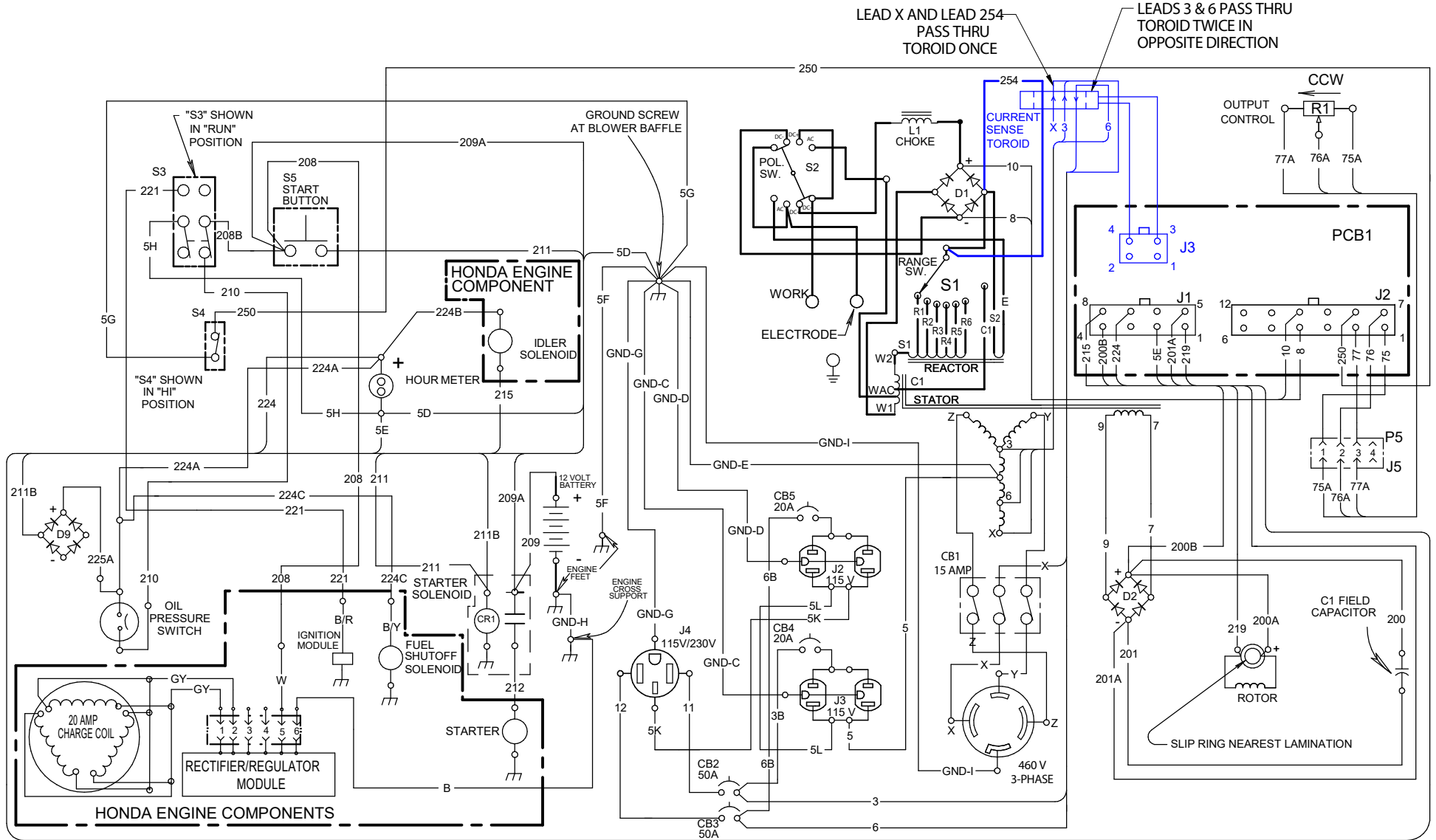


ZR-10 WIRING DIAGRAM M19771 REV: A



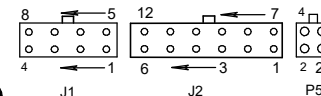
LEAD COLOR CODE:

- B = BLACK OR GRAY
- R = RED OR PINK
- W = WHITE
- G = GREEN

N.A. LEADS 3 AND 6 MUST BE ROUTED THRU THE CURRENT SENSOR AS SHOWN FOR PROPER IDLER OPERATION.

ALL CASE FRONT COMPONENTS SHOWN VIEWED FROM REAR.

CONNECTOR PIN NUMBERS:



LINCOLN[®]
ELECTRIC

CLEVELAND, OHIO U.S.A.