

# DIGISTEEL 355S - 425S - 505S

---

*For use with machines having code numbers: 50502, 50503, 50504*



---

## SERVICE MANUAL

---

---

---

---

---



## INDEX OF CONTENTS

---

TECHNICAL SPECIFICATIONS.....	1
SAFETY .....	4
INTRODUCTION.....	6
INSTALLATION AND OPERATOR INSTRUCTIONS .....	6
MAINTENANCE .....	12
DC BUS CAPACITOR DISCHARGE PROCEDURE .....	12
THERMAL PROTECTION .....	13
MAJOR COMPONENTS LOCATION .....	13
THEORY OF OPERATION .....	14
TROUBLESHOOTING AND REPAIR SECTION.....	20
EMI FILTER BOARD RESISTANCE TEST .....	27
INPUT RECTIFIER BRIDGE RESISTANCE TEST.....	30
INVERTER BOARD RESISTANCE TEST .....	32
OUTPUT RECTIFIER MODULES RESISTANCE TEST .....	35
EMI FILTER BOARD VOLTAGE TEST .....	38
VOLTAGE SUPPLY BOARD TEST .....	41
CONTROL BOARD VOLTAGE TEST .....	43
INVERTER BOARD VOLTAGE TEST .....	45
DISASSEMBLY OPERATIONS.....	48
RETEST AFTER REPAIR.....	57
CALIBRATION PROCEDURE.....	58
ELECTRICAL SCHEMATICS .....	59
NOTE .....	61

# TECHNICAL SPECIFICATIONS

NAME		INDEX			
DIGISTEEL 355S		W000404454			
DIGISTEEL 425S		W000404455			
DIGISTEEL 505S		W000404456			
INPUT					
	Input Voltage $U_1$	EMC Class		Frequency	
355S	400V $\pm$ 15% 3-phase	A		50/60Hz	
425S					
505S					
	Input Power at Rated Cycle	Input Amperes $I_{1max}$		PF	
355S	15 kVA @ 50% Duty Cycle (40 °C)	21A		0,90	
425S	19 kVA @ 100% Duty Cycle (40 °C)	27A		0,92	
505S	23 kVA @ 60% Duty Cycle (40 °C)	34A		0,94	
	Efficiency	Idle Power			
355S	85%	35W			
425S	85%	35W			
505S	85%	35W			
RATED OUTPUT					
	Open Circuit Voltage		Duty Cycle 40 °C (based on a 10 min. period)	Output Current	Output Voltage
355S	$U_{0peak} = 54Vdc$ $U_{0rms} = 54Vdc$	GMAW	50%	350A	31,5Vdc
			60%	340A	31,0Vdc
			100%	300A	29,0Vdc
		FCAW	50%	350A	31,5Vdc
			60%	340A	31,0Vdc
			100%	300A	29,0Vdc
		SMAW	30%	350A	34,0Vdc
			60%	320A	32,8Vdc
			100%	275A	31,0Vdc
425S	$U_{0peak} = 60Vdc$ $U_{0rms} = 54Vdc$	GMAW	100%	420A	35,0Vdc
		FCAW	100%	420A	35,0Vdc
		SMAW	100%	420A	36,8Vdc
505S	$U_{0peak} = 60Vdc$ $U_{0rms} = 54Vdc$	GMAW	60%	500A	39,0Vdc
			100%	420A	35,0Vdc
		FCAW	60%	500A	39,0Vdc
			100%	420A	35,0Vdc
		SMAW	60%	480A	39,2Vdc
			100%	420A	36,8Vdc
WELDING CURRENT RANGE					
	GMAW	FCAW		SMAW	
355S	20A÷350A	20A÷350A		10A÷350A	
425S	20A÷420A	20A÷420A		10A÷420A	
505S	20A÷500A	20A÷500A		10A÷480A	

<b>WELDING VOLTAGE REGULATION RANGE</b>				
	GMAW		FCAW	
<b>355S</b>	15V ÷ 33,5V		15V ÷ 33,5V	
<b>425S</b>	15V ÷ 37V		15V ÷ 37V	
<b>505S</b>	15V ÷ 41V		15V ÷ 41V	
<b>RECOMMENDED INPUT CABLE AND FUSE SIZES</b>				
	Fuse Type: Time-Delay or Circuit Breaker Type D		Power Lead	
	400V			
<b>355S</b>	25A		4 Conductor, 2,5mm <sup>2</sup>	
<b>425S</b>	32A		4 Conductor, 4,0 mm <sup>2</sup>	
<b>505S</b>	32A		4 Conductor, 4,0 mm <sup>2</sup>	
<b>DIMENSION</b>				
	Weight	Height	Width	Length
<b>355S</b>	68kg	932 mm	560 mm	925 mm
<b>425S</b>	78kg			
<b>505S</b>	79kg			
Protection Rating	Operating Humidity (t=20 °C)	Operating Temperature	Storage Temperature	
IP23	≤ 90 %	from -10 °C to +40 °C	from -25 °C to +55 °C	

# Electromagnetic Compatibility (EMC)

01/11

This machine has been designed in accordance with all relevant directives and standards. However, it may still generate electromagnetic disturbances that can affect other systems like telecommunications (telephone, radio, and television) or other safety systems. These disturbances can cause safety problems in the affected systems. Read and understand this section to eliminate or reduce the amount of electromagnetic disturbance generated by this machine.



This machine has been designed to operate in an industrial area. The operator must install and operate this equipment as described in this manual. If any electromagnetic disturbances are detected the operator must put in place corrective actions to eliminate these disturbances with, if necessary, assistance from Lincoln Electric.

## **WARNING**

Provided that the public low voltage system impedance at the point of common coupling is lower than:

- 105 mΩ for the **DIGISTEEL 355S**
- 25 mΩ for the **DIGISTEEL 425S**
- 35 mΩ for the **DIGISTEEL 505S**.

This equipment is compliant with IEC 61000-3-11 and IEC 61000-3-12 and can be connected to public lowvoltage systems. It is the responsibility of the installer or user of the equipment to ensure, by consultation with the distribution network operator if necessary, that the system impedance complies with the impedance restrictions.

Before installing the machine, the operator must check the work area for any devices that may malfunction because of electromagnetic disturbances. Consider the following.

- Input and output cables, control cables, and telephone cables that are in or adjacent to the work area and the machine.
- Radio and/or television transmitters and receivers. Computers or computer controlled equipment.
- Safety and control equipment for industrial processes. Equipment for calibration and measurement.
- Personal medical devices like pacemakers and hearing aids.
- Check the electromagnetic immunity for equipment operating in or near the work area. The operator must be sure that all equipment in the area is compatible. This may require additional protection measures.
- The dimensions of the work area to consider will depend on the construction of the area and other activities that are taking place.

Consider the following guidelines to reduce electromagnetic emissions from the machine.

- Connect the machine to the input supply according to this manual. If disturbances occur it may be necessary to take additional precautions such as filtering the input supply.
- The output cables should be kept as short as possible and should be positioned together. If possible connect the work piece to ground in order to reduce the electromagnetic emissions. The operator must check that connecting the work piece to ground does not cause problems or unsafe operating conditions for personnel and equipment.
- Shielding of cables in the work area can reduce electromagnetic emissions. This may be necessary for special applications.

## **WARNING**

The Class A equipment is not intended for use in residential locations where the electrical power is provided by the public low-voltage supply system. There can be potential difficulties in ensuring electromagnetic compatibility in those locations, due to conducted as well as radio-frequency disturbances.



# SAFETY



11/04



## WARNING

This equipment must be used by qualified personnel. Be sure that all installation, operation, maintenance and repair procedures are performed only by qualified person. Read and understand this manual before operating this equipment. Failure to follow the instructions in this manual could cause serious personal injury, loss of life, or damage to this equipment. Read and understand the following explanations of the warning symbols. Lincoln Electric is not responsible for damages caused by improper installation, improper care or abnormal operation.

	<p><b>WARNING:</b> This symbol indicates that instructions must be followed to avoid serious personal injury, loss of life, or damage to this equipment. Protect yourself and others from possible serious injury or death.</p>
	<p><b>READ AND UNDERSTAND INSTRUCTIONS:</b> Read and understand this manual before operating this equipment. Arc welding can be hazardous. Failure to follow the instructions in this manual could cause serious personal injury, loss of life, or damage to this equipment.</p>
	<p><b>ELECTRIC SHOCK CAN KILL:</b> Welding equipment generates high voltages. Do not touch the electrode, work clamp, or connected work pieces when this equipment is on. Insulate yourself from the electrode, work clamp and connected work pieces.</p>
	<p><b>ELECTRICALLY POWERED EQUIPMENT:</b> Turn off input power using the disconnect switch at the fuse box before working on this equipment. Ground this equipment in accordance with local electrical regulations.</p>
	<p><b>ELECTRICALLY POWERED EQUIPMENT:</b> Regularly inspect the input, electrode, and work clamp cables. If any insulation damage exists replace the cable immediately. Do not place the electrode holder directly on the welding table or any other surface in contact with the work clamp to avoid the risk of accidental arc ignition.</p>
	<p><b>ELECTRIC AND MAGNETIC FIELDS MAY BE DANGEROUS:</b> Electric current flowing through any conductor creates electric and magnetic fields (EMF). EMF fields may interfere with some pacemakers and welders having a pacemaker shall consult their physician before operating this equipment.</p>
	<p><b>CE COMPLIANCE:</b> This equipment complies with the European Community Directives.</p>
	<p><b>ARTIFICIAL OPTICAL RADIATION:</b> According with the requirements in 2006/25/EC Directive and EN 12198 Standard, the equipment is a category 2. It makes mandatory the adoption of Personal Protective Equipment (PPE) having filter with a protection degree up to a maximum of 15, as required by EN169 Standard.</p>
	<p><b>FUMES AND GASES CAN BE DANGEROUS:</b> Welding may produce fumes and gases hazardous to health. Avoid breathing these fumes and gases. To avoid these dangers the operator must use enough ventilation or exhaust to keep fumes and gases away from the breathing zone.</p>
	<p><b>ARC RAYS CAN BURN:</b> Use a shield with the proper filter and cover plates to protect your eyes from sparks and the rays of the arc when welding or observing. Use suitable clothing made from durable flame-resistant material to protect you skin and that of your helpers. Protect other nearby personnel with suitable, non-flammable screening and warn them not to watch the arc nor expose themselves to the arc.</p>
	<p><b>WELDING SPARKS CAN CAUSE FIRE OR EXPLOSION:</b> Remove fire hazards from the welding area and have a fire extinguisher readily available. Welding sparks and hot materials from the welding process can easily go through small cracks and openings to adjacent areas. Do not weld on any tanks, drums, containers, or material until the proper steps have been taken to insure that no flammable or toxic vapors will be present. Never operate this equipment when flammable gases, vapors or liquid combustibles are present.</p>
	<p><b>WELDED MATERIALS CAN BURN:</b> Welding generates a large amount of heat. Hot surfaces and materials in work area can cause serious burns. Use gloves and pliers when touching or moving materials in the work area.</p>

	<p><b>CYLINDER MAY EXPLODE IF DAMAGED:</b> Use only compressed gas cylinders containing the correct shielding gas for the process used and properly operating regulators designed for the gas and pressure used. Always keep cylinders in an upright position securely chained to a fixed support. Do not move or transport gas cylinders with the protection cap removed. Do not allow the electrode, electrode holder, work clamp or any other electrically live part to touch a gas cylinder. Gas cylinders must be located away from areas where they may be subjected to physical damage or the welding process including sparks and heat sources.</p>
	<p><b>SAFETY MARK:</b> This equipment is suitable for supplying power for welding operations carried out in an environment with increased hazard of electric shock.</p>

The manufacturer reserves the right to make changes and/or improvements in design without upgrade at the same time the operator's manual.

# INTRODUCTION

**DIGISTEEL 355S, 425S, 505S** inverter sources have to be connected with wire feeders **WF 52D** and **WF 56D**. Signal from the power source will be displayed on wire feeders user interface. For communication, inverter source-wire feeder is used CAN protocol. Inverter source-wire feed configuration allows the welding:

- GMAW (MIG/MAG);
- FCAW;
- SMAW (MMA).

**DIGISTEEL 355S, 425S, 505S** work with the water cooler **COOL ARC® 26**.

The complete packaging includes the following items:

- Inverter source;
- USB with Operator's Manual;
- Work lead - 3m;
- Slow-blow fuse – 2A (2 units);
- Gas hose -2m;
- Chain.

Recommended equipment, which can be bought by the user, was mentioned in the chapter "Accessories Suggested".

# INSTALLATION AND OPERATOR INSTRUCTIONS

Read this entire section before installation or operation of the machine.

## Location and Environment

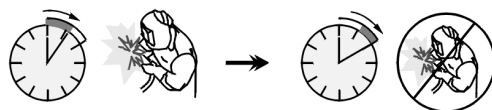
This machine can be operate in harsh environment. However, it is important to use simple preventative measures, which provide long life and reliable operation.

- Do not place or operate this machine on a surface with an incline higher than 15° from horizontal.
- Do not use this machine for pipe thawing.
- This machine must be located in a place where there is free circulation of clean air without restrictions for air movement to and from the air vents. Do not cover the machine with paper, cloth or rags when switched on.
- Keep away from dirt and dust that can be drawn into the machine should be kept to a minimum.
- This machine has a protection rating of IP23. Keep it dry when possible and do not place it on a wet ground or in puddles.
- Locate the machine away from radio controlled machinery. Normal operation may adversely affect the operation of nearby radio controlled machinery, which may result in injury or equipment damage. Read the section on electromagnetic compatibility in this manual.
- Do not operate in areas with an ambient temperature higher than 40°C.

## Duty cycle and Overheating

The duty cycle of a welding machine is the percentage of time in a 10 minute cycle at which the welder can operate the machine at rated welding current.

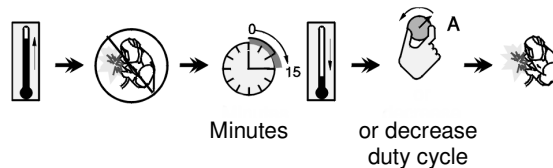
Example: 60% duty cycle



Welding for 6 minutes.

Break for 4 minutes.

Excessive extension of the duty cycle will cause the thermal protection circuit to activate.



## Input Supply Connection

### ⚠ WARNING

Only a qualified electrician can connect the welding machine to the supply network. Installation the outlet plug to power lead and connecting the welding machine had to be made in accordance with the appropriate National Electrical Code and local regulations.

Check the input voltage, phases, and frequency supplied to this machine before turning it on. Verify the connection of grounding wires from the machine to the input power source. **DIGISTEEL 355S, 425S, 505S** can only be connected to a mating grounded receptacle. Input voltages is 3x400V 50/60Hz. For more information about input supply please refer to the technical specification section of this manual and to the rating plate of the machine.

Make sure that the amount of mains power available from the input supply is adequate for normal operation of the machine. The type of protection and cable sizes are indicated in the technical specification section of this manual.

### ⚠ WARNING

The welding machine can be supplied from a power generator of output power at least 30% larger than input power of the welding machine. See "Technical Specifications" chapter.

### ⚠ WARNING

In case of powering welder from a generator make sure to turn off welding machine first, before generator is shut down, in order to prevent damage to welding machine!



## Output Connections

Refer to points [2], [3] and [4] of the figures below.

## Controls and Operational Features

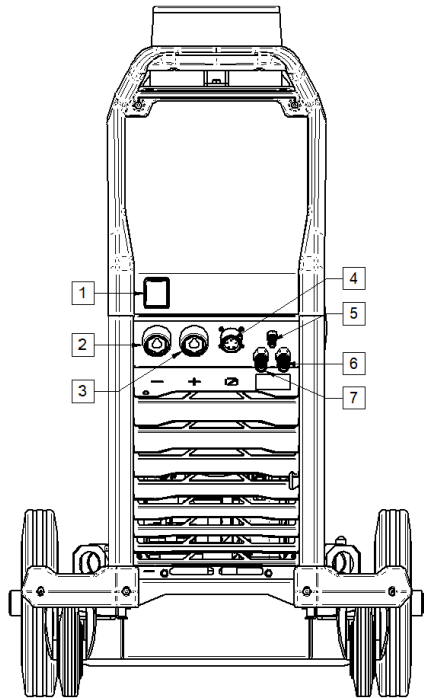







Figure 1.

1. Power Switch ON/OFF (I/O): Controls the input power. Make sure the power source is properly connected to the mains supply before turning power on ("I").

 2. Negative Output Socket for the Welding Circuit: Depending on the configuration of power source, for connecting a work lead, the electrode holder with lead or the source/wire feeder welding cable.

 3. Positive Output Socket for the Welding Circuit: Depending on the configuration of power source, for connecting a work lead, the electrode holder with lead or the source/wire feeder welding cable.

 4. Control Receptacle: 5 pins receptacle for wire feeder or remote controller connection. To communication wire feeder or remote controller with power source is used CAN protocol.

5. Gas Connector: For connection a gas hose from interconnecting cable.
6. Quick Connect Coupling: Coolant inlet (takes warm coolant from torch/gun). 
7. Quick Connect Coupling: Coolant outlet (supplies cool coolant to the torch/gun). 

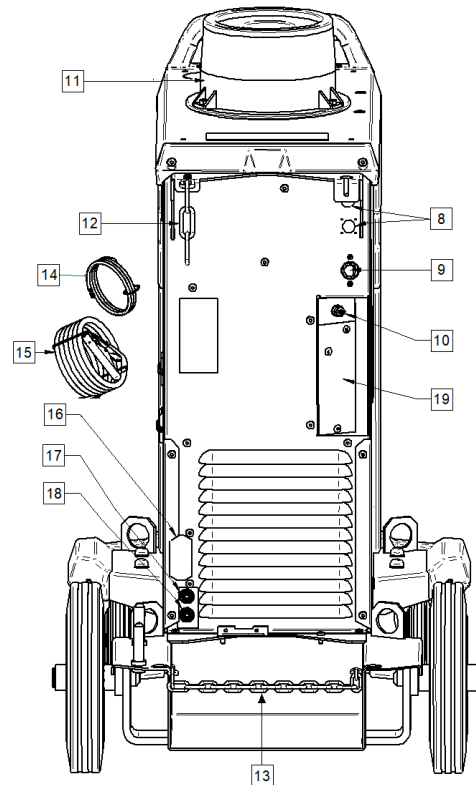




Figure 2.

8. Supply Plug: for gas heater kit (see "Accessories Suggested" chapter).
9. Power Lead (5m): Connect the supply plug to the existing input cable that is rated for the machine as indicated in this manual, and conforms to all applicable standards. This connection shall be performed by a qualified person only.
10. Gas Connector: For connection a gas hose from cylinder.
11. Swivel bracket: For mounting the wire feeder.
12. Top Chain: To protect gas bottle.
13. Bottom chain: For properly securing the gas cylinder

### WARNING

Not using both chains at the same time to secure the gas cylinder may result in damage to the cylinder, the device and personal injury.

14. Gas hose: For connection between the cylinder and machine.
15. Mass welding cable
16. Cover bracket: To install **COOL ARC® 26** power supply and control cable (see "Accessories Suggested" chapter).

17. Quick Connect Coupling: Coolant inlet (supplies cool coolant to the torch/gun). 
18. Quick Connect Coupling: Coolant outlet (takes warm coolant from torch/gun). 
19. Cover bracket: To install the welding and control sockets on the rear panel of the device (see chapter "Accessories Suggested") to connect the wire feeder.

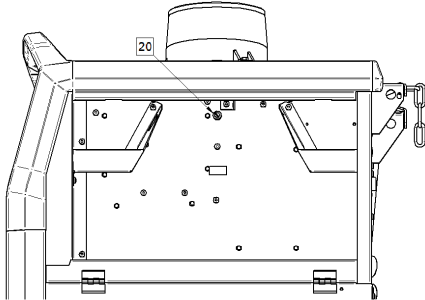


Figure 3.

20. Fuse F1: Use the 2A/400V (6,3x32mm) low blow fuse.

### Welding Cables Connection

Insert the plug of the work lead into the socket [2]. The other end of this lead connect to the work piece with the work clamp.

Connect the wire feeder to the power source:

- Insert the positive welding cable into the output socket [3].
- Insert the wire feeder control cable into the socket [4] (see "Accessories Suggested" chapter).

Use the possible shortest cable lengths.

### Water Cooler Connection

DIGISTEEL 355S, 425S, 505S work with the water cooler COOL ARC® 26 (see "Accessories Suggested" chapter).



#### WARNING

Read the cooler manual before connecting it to the power source.

The COOL ARC® 26 is supplied by welding power source using 10-PIN socket.

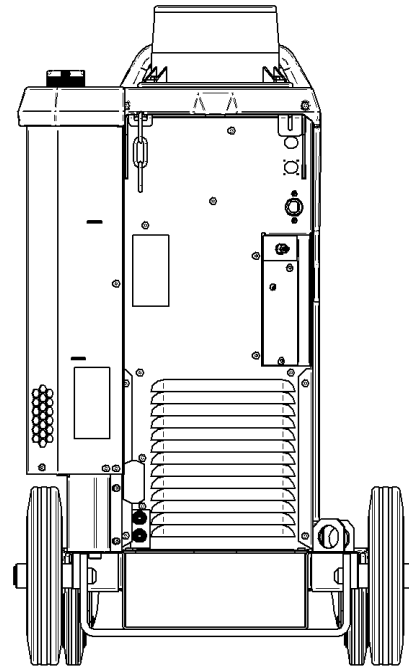


Figure 4.

## Machine and Circuit Protection

Power Source is protected against overheating, overload and accidental short-circuits.

If the machine is overheated, the thermal protection circuit will decrease the output current to 0. This information will be shown by wire feeder user interface. Please refer to wire feeder user manual.

## Transport & Lifting



### ! WARNING

Falling equipment can cause injury and damage to unit.

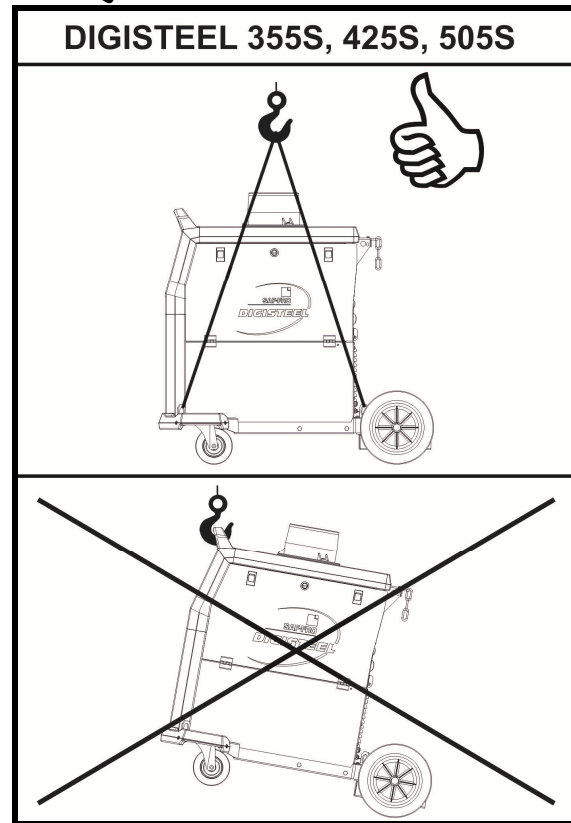


Figure 5.

During transportation and lifting with a crane, adhere to the following rules:

- The device contains elements adapted for transport.
- For lifting a suitable lifting equipment capacity.
- For lifting and transport use minimum four belts.
- Lift and transport only power source without gas cylinder, cooler and wire feeder, or/and any other accessories.

## MAINTENANCE

### **WARNING**

For any repair operations, modifications or maintenances, it is recommended to contact the nearest Technical Service Center or Lincoln Electric. Repairs and modifications performed by unauthorized service or personnel will cause, that the manufacturer's warranty will be lost.

Any noticeable damage should be reported immediately and repaired.

### **Routine maintenance (everyday)**

- Check condition of insulation and connections of the work leads and insulation of power lead. If any insulation damage exists replace the lead immediately.
- Remove the spatters from the welding gun nozzle. Spatters could interfere with the shielding gas flow to the arc.
- Check the welding gun condition: replace it, if necessary.
- Check condition and operation of the cooling fan. Keep clean its airflow slots.

### **Periodic maintenance (every 200 working hours, but at list once a year)**

Perform the routine maintenance and, in addition:

- Keep the machine clean. Using a dry (and low pressure) airflow, remove the dust from the external case and from the cabinet inside.
- If it is required, clean and tighten all weld terminals.

The frequency of the maintenance operations may vary according to the working environment where the machine is placed.

### **WARNING**

Do not touch electrically live parts.

### **WARNING**

Before the case of welding machine will be removed, the welding machine has to be turned off and the power lead had to be disconnected from mains socket.

### **WARNING**

Mains supply network must be disconnected from the machine before each maintenance and service. After each repair, perform proper tests to ensure safety.

# MAINTENANCE

## WARNING



**ELECTRIC SHOCK** can kill

Have an electrician install and service this equipment  
Turn the input power off at the fuse box before working on equipment  
Do not touch electrically hot parts  
Prior to performing preventive maintenance, perform the following capacitor discharge procedure to avoid electric shock.

## DC BUS CAPACITOR DISCHARGE PROCEDURE

1. Remove main input power to the **DIGISTEEL 355S, 425S, 505S**.
2. Remove the left side panel following the case removal procedure available in this Service manual.
3. The capacitors are discharged by discharge resistors integrated into the main board in about 2 (two) minutes.
4. Locate the terminals **POS** and **NEG** on the Input Rectifier Bridge, **See Figure 1**.
5. Connect your multi-meter positive probe to **POS** terminal point and your negative probe to **NEG** terminal and check the voltage.
6. In case of presence of residual voltage follow the next steps
7. Obtain a high resistance and high wattage resistor (500-1000 ohms and 25 watts minimum). This resistor is NOT supplied with the machine. NEVER USE A SHORTING STRAP FOR THIS PROCEDURE.
8. Use electrically insulate gloves and insulated pliers. Hold the body of the resistor and connect the resistor leads across the two points POS and NEG. **See Figure 1**. Hold the resistor in place for 10 seconds. DO NOT TOUCH CAPACITOR TERMINALS WITH YOUR BARE HANDS.
9. Check again the voltage across the two terminals. Voltage should be zero. If any voltage remains, repeat this procedure.

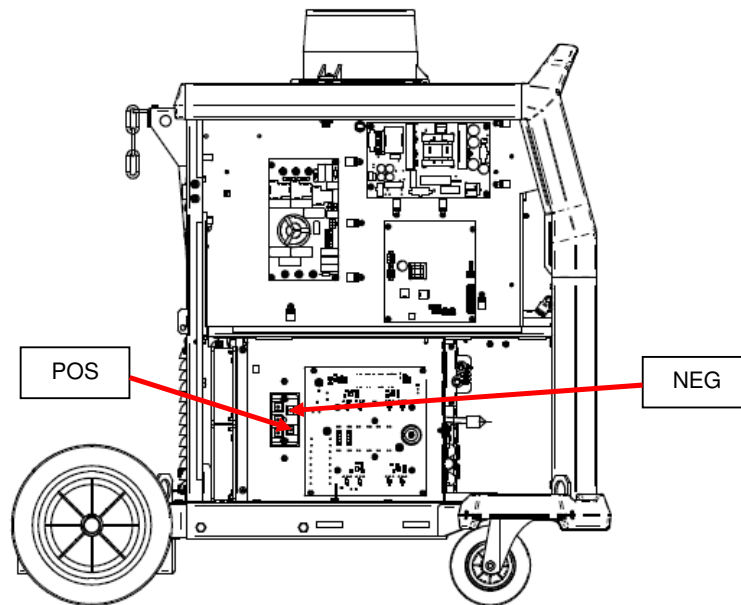


Figure 1

# THERMAL PROTECTION

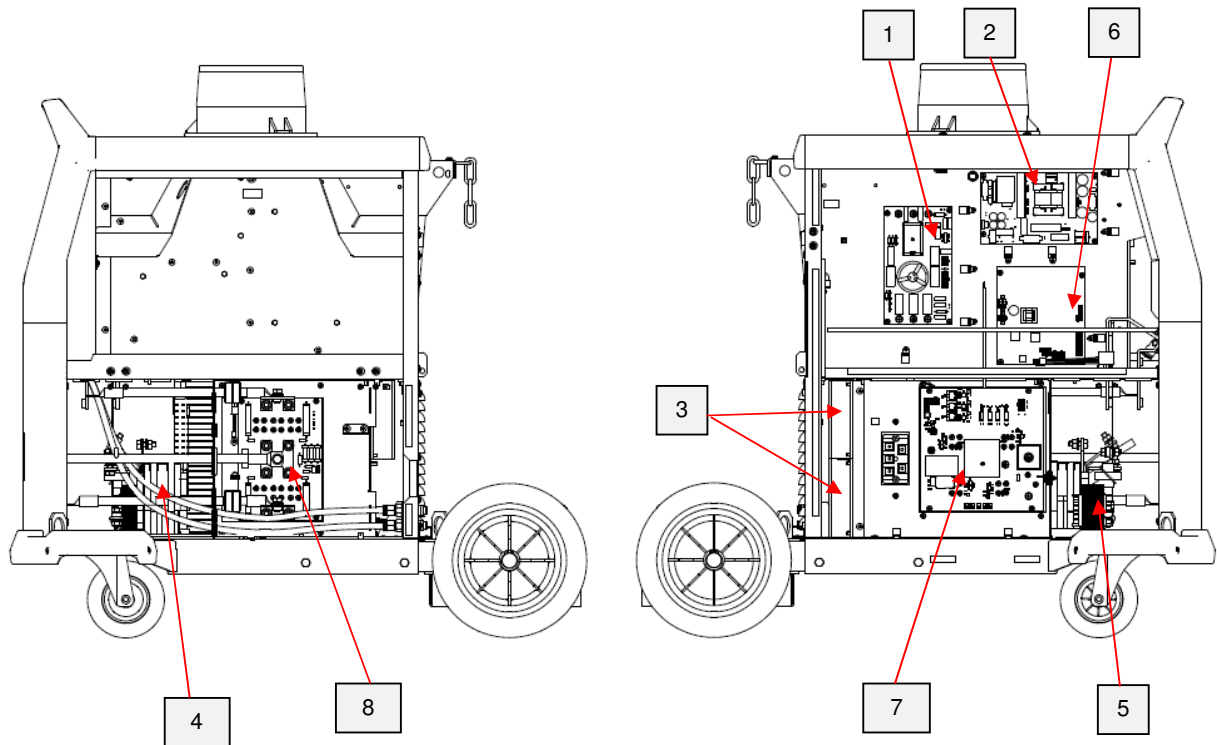
Thermal detection devices protect the machine from excessive operating temperatures. Excessive temperatures may be caused by a lack of cooling air or operating the machine beyond the duty cycle and output rating. If excessive operating temperatures should occur, the yellow LED will light and the detection device will prevent output voltage or current.

These detection devices are self-resetting once the machine cools sufficiently. If the thermostat shutdown was caused by excessive output or duty cycle and the fan is operating normally, the power switch may be left on and the reset should occur within a 15 minute period. If the fan is not turning or the air intake louvers were obstructed, then the power must be switched off and the fan problem or air obstruction must be corrected.

## MAJOR COMPONENTS LOCATION

### DIGISTEEL 355S, 425S,505S

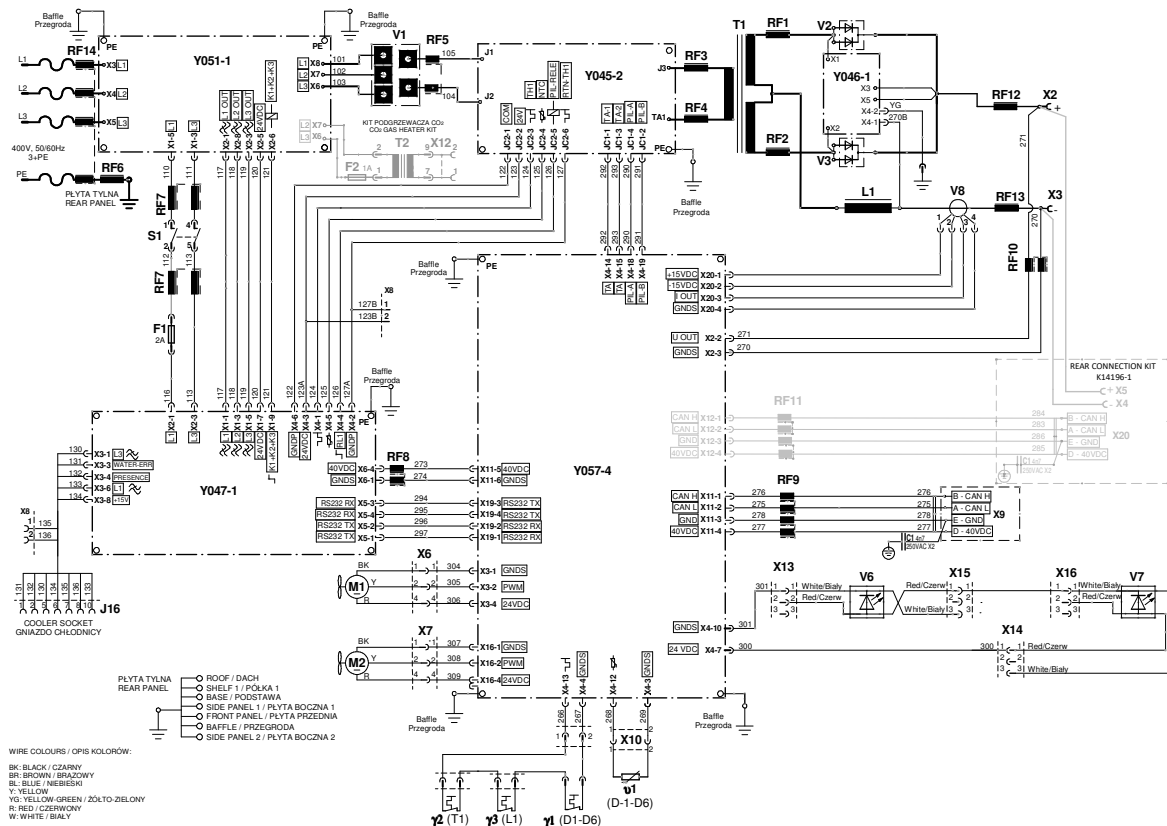
1. EMI Filter
2. Supply Board
3. Fans
4. Output transformer
5. Output Choke
6. Control Board
7. Inverter Board
8. Output diodes



# THEORY OF OPERATION

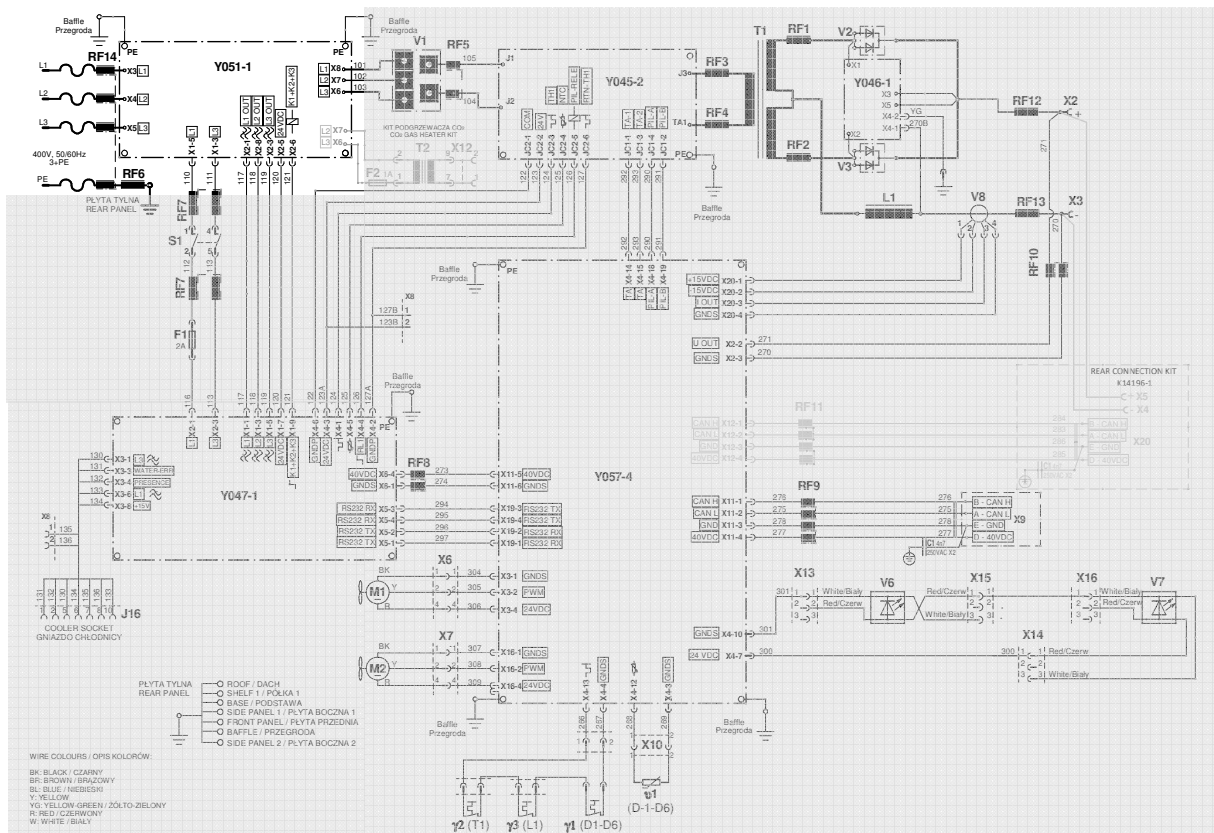
- General description
- Main Board
- Output choke – Polarity change – User Interface
- Protection Circuits
- IGBT operation

## BLOCK DIAGRAM



Above wiring diagram is related to DIGISTEEL 355S

# GENERAL DESCRIPTION



## GENERAL DESCRIPTION

The **DIGISTEEL 355S, 425S, 505S** are industrial arc welding power sources which utilize three phases input power, to produce constant voltage or constant current output. The welding response of these units has been optimized for GMAW, FCAW-SS, SMAW and GTAW-lift TIG. The units are ideal for industrial applications.

The **DIGISTEEL 355S, 425S, 505S**, when connected to the input voltage of 400Vac, produce a welding output according to the technical table available at the beginning of this manual. It operates on three phases input power 400Vac only. It is environmentally hardened to an IP23 rating for operating in difficult environments.

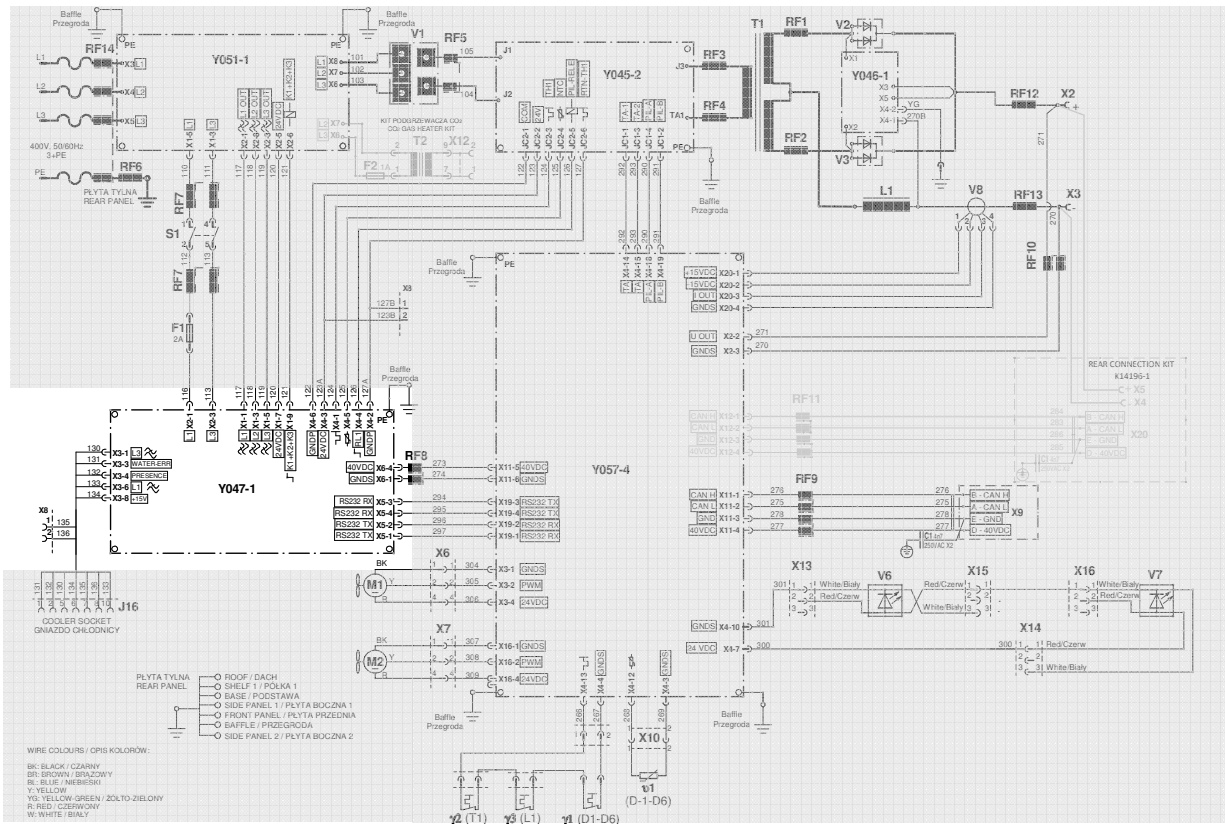
## EMI FILTER (Y051-1 for DIGISTEEL 355S; Y056-1 for DIGISTEEL 425S and 505S)

EMI filter circuit, prevents noise from the machine from being transmitted along the main power line and vice versa, necessary to be in accordance with all relevant directives and standards.

On the EMI filter are also located three relays K1,K2,K3, for Y051-1 and one relay RL1 for Y056-1 that, when close are/is responsible to provide the power supply to the inverter board through the input bridge V1.



# VOLTAGE SUPPLY BOARD



## VOLTAGE SUPPLY BOARD (Y047-1)

The VOLTAGE SUPPLY BOARD receives the three phases 400Vac (L1,L2,L3) from the EMI filter board.

It generates all the auxiliary voltages needed by the machine circuits (24Vdc and 40Vdc).

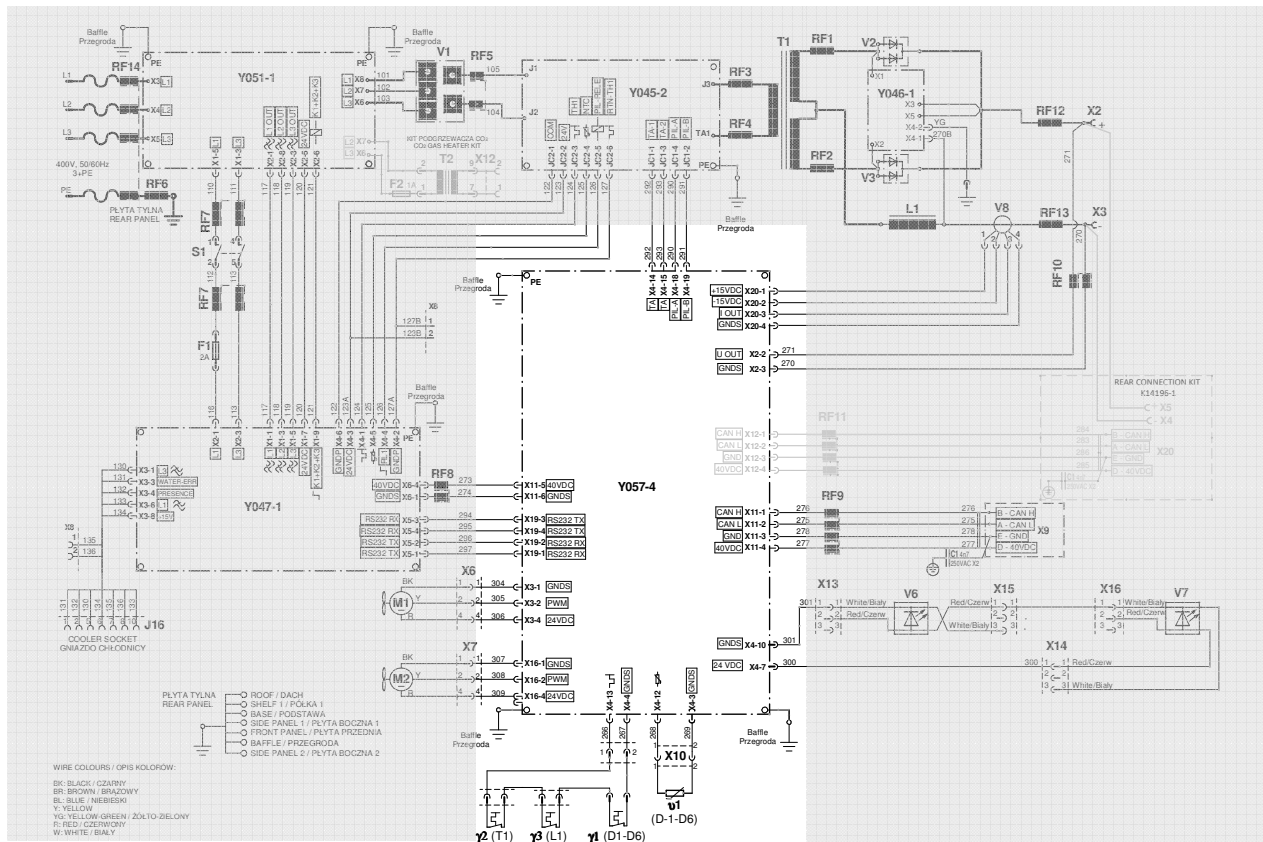
It also provides, after checking the correctness of the input voltage supply applied to the machine, the OK, to the three relays that are located on the EMI filter, to close.

It also communicate via RS232 to the control board informing about the status of the input line.

When the machine ON/OFF switch is closed the AC input voltage (L1,L3) is applied to the Voltage Supply Board. Input voltage is verified and if correct (+/- 10%) micro controller gives command to close K1,K2,K3 relays (for Y056-1) or RL1 relay (for Y051-1) on EMI filter.

After few milliseconds another command is generated from the Voltage Supply Board to close the relay RL1A on the Inverter Board, the contact of this relay by pass the PTC needed to provide a soft charge to the DC BUS capacitors.

# CONTROL BOARD



## CONTROL BOARD (Y057-1 for DIGISTEEL 355S; Y057-4 for DIGISTEEL 425S and 505S)

The Control Board performs the primary interfacing functions to establish and maintain output control of the **DIGISTEEL 355S, 425S, 505S** machines.

Digital user command signals from the UI and feedback information are received and processed by the Control Board.

Software loaded in the Control Board processes the command and feedback information and sends the appropriate pulse width modulation

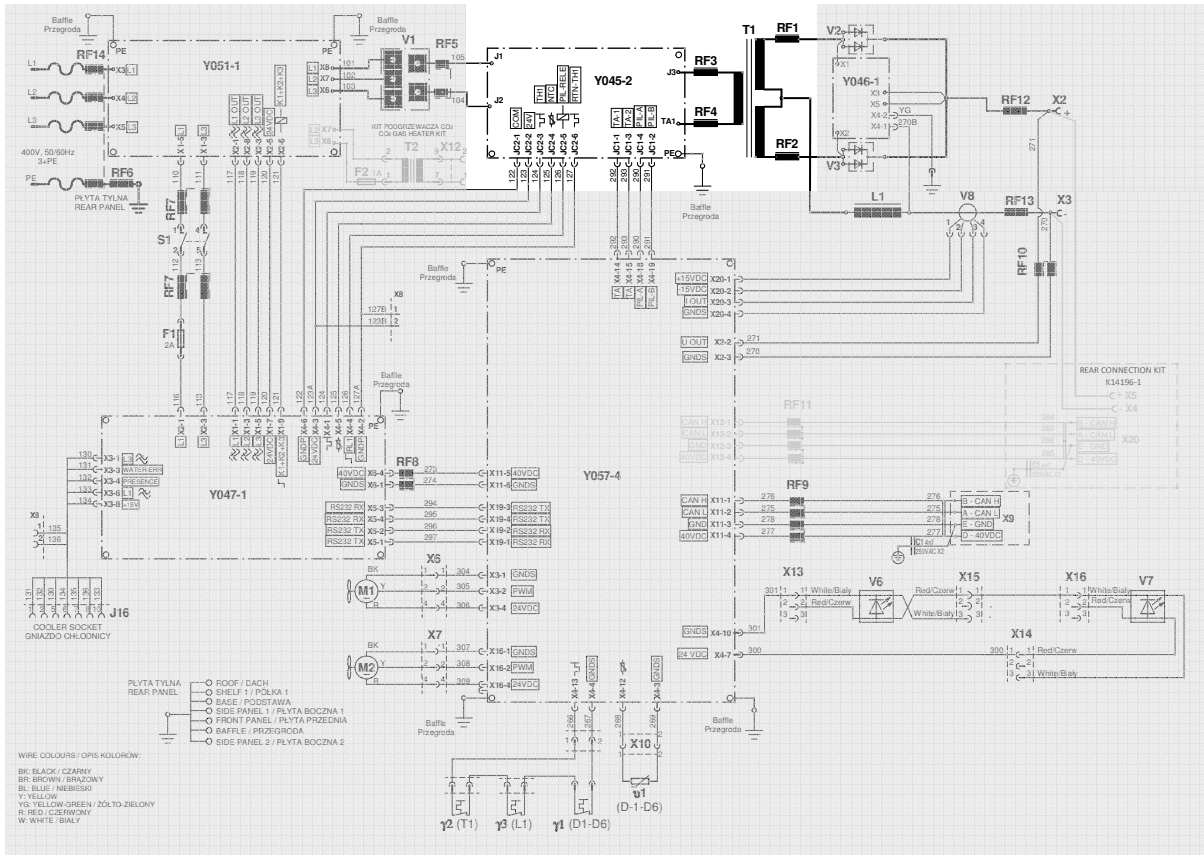
(PWM) signals to the Inverter board IGBTs.

The Control Board is supplied by 40VDC generated by the Voltage Supply Board (Y047-1).

In addition, the Control Board performs the following functions:

- monitors output current
- monitors the thermostats status
- supply the fans
- supply the gas solenoid
- supply the wire drive motor

# INVERTER AND MAIN TRANSFORMER



## INVERTER AND MAIN TRANSFORMER (Y045-2 for DIGISTEEL 355S; Y052-1 for DIGISTEEL 425S and 505S)

When the DC Bus capacitors are fully charged they act as power supplies for the IGBT switching circuit.

The IGBT switch the DC power from the DC Bus capacitors "on and off," thus supplying pulsed DC current to the main transformer primary winding.

The full bridge inverter switching frequency is 34KHz.

Current transducer located on the inverter board

monitor the primary current. If the primary current become abnormally high, the control board circuit will shut off the IGBTs, thus disabling the machine's output.

A thermal protector is also present, to the inverter heat-sink, to protect the IGBTs from overheating conditions.

The main transformer insulate the primary circuit from the secondary circuit; this secondary winding supplies the welding voltages and the welding currents.

This high current winding is capable of supplying maximum output current during the welding process.

## OVERLOAD PROTECTION

**DIGISTEEL 355S, 425S, 505S** are electrically protected from producing higher than normal output current. An electronic protection circuit limits the current to within the capabilities of the machine.

## THERMAL PROTECTION

There are two thermal devices located on the output diodes heat-sink; one on the main transformer, one on the output choke and two on the inverter board. They protect the machine from excessive operating temperature.

Excessive temperature may be caused by a lack of cooling air or by operating the machine beyond the duty cycle and output rating. If excessive

operating temperature should occur, the Thermal Overload indicator on the front panel, will turn ON and the thermostat will prevent output current. One PTC is also mounted on the output diodes heatsink to monitor the ambient temperature, if the temperature rise up, the control board will increase the fans speed.

The thermal protection devices are self-resetting once the machine cools sufficiently. If the shutdown was caused by excessive output or duty cycle and the fan is operating normally, the power switch may be left on and the reset should occur within about 8-10 minutes period. If the fan is not turning or the air intake louvers are obstructed, the input power must be removed and the fan problem or air obstruction must be corrected.

---

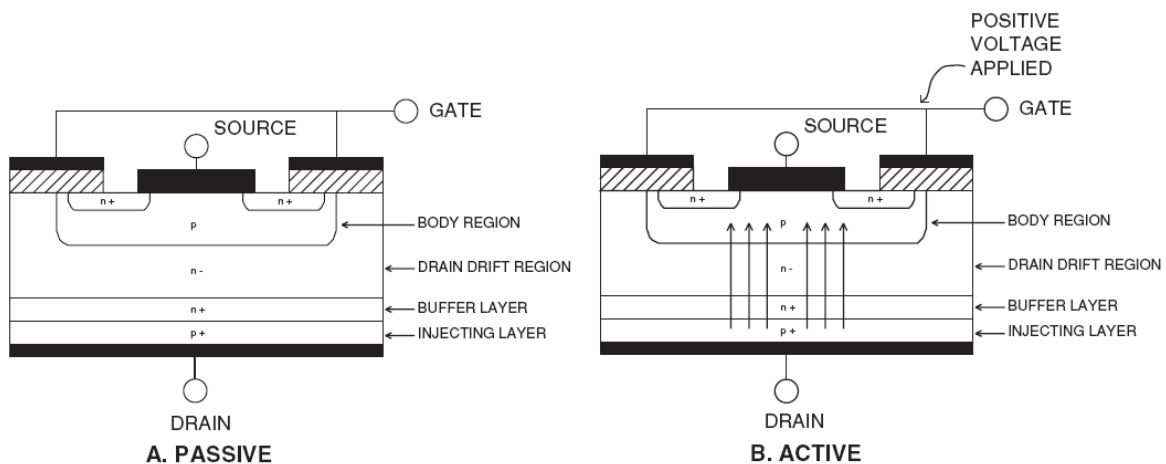
## INSULATED GATE BIPOLAR TRANSISTOR (IGBT) OPERATION

An IGBT is a type of transistor. IGBTs are semiconductors well suited for high frequency switching and high current applications. Drawing A shows an IGBT in a passive mode. There is no gate signal, zero volts relative to the source, and therefore, no current flow. The drain terminal of the IGBT may be connected to a voltage supply; but since there is no conduction the circuit will not supply current to components connected to the source. The circuit is turned off

like a light switch in the OFF position.

Drawing B shows the IGBT in an active mode. When the gate signal, a positive DC voltage relative to the source, is applied to the gate terminal of the IGBT, it is capable of conducting current. A voltage supply connected to the drain terminal will allow the IGBT to conduct and supply current to circuit components coupled to the source. Current will flow through the conducting IGBT to downstream components as long as the positive gate signal is present. This is similar to turning ON a light switch.

## IGBT



## **TROUBLESHOOTING AND REPAIR SECTION**

---

- How to use troubleshooting Guide
- Troubleshooting Guide
- Side panels removal and capacitor discharge procedure

# HOW TO USE TROUBLESHOOTING GUIDE

---

Service and repair should be performed by only Lincoln Electric Factory Trained Personnel. Unauthorized repairs performed on this equipment may result in danger to the technician and machine operator and will invalidate your factory warranty. For your safety and to avoid Electrical Shock, please observe all safety notes and precautions detailed throughout this manual.

.....

This Troubleshooting Guide is provided to help you locate and repair possible machine malfunctions. Simply follow the three-step procedure listed below.

**Step 1. LOCATE PROBLEM (SYMPTOM).** Look under the column labeled "PROBLEMS". This column describes possible symptoms that the machine may exhibit. Find the listing that best describes the symptom that the machine is exhibiting. Symptoms are grouped into three main categories: Output Problems, Function Problems, and LED Function Problems.

**Step 2. PERFORM EXTERNAL TESTS.** The second column, labeled "CHECKS", lists the obvious external possibilities that may contribute to the machine symptom. Perform these tests/checks in the order listed. In general, these tests can be conducted without removing the case wrap-around cover.

**Step 3. PERFORM COMPONENT TESTS.** The last column, labeled "RECOMMENDED COURSE OF ACTION" lists the most likely components that may have failed in your machine. It also specifies the appropriate test procedure to verify that the subject component is either good or bad. If there are a number of possible components, check the components in the order listed to eliminate one possibility at a time until you locate the cause of your problem.

All of the referenced test procedures referred to in the Troubleshooting Guide are described in detail at the end of this chapter. Refer to the Troubleshooting and Repair Table of Contents to locate each specific Test Procedure. All of the referred to test points, components, terminal strips, etc., can be found on the referenced electrical wiring diagrams and schematics. Refer to the Wiring Diagrams Section Table of Contents to locate the appropriate diagram.

## WARNING



**ELECTRIC SHOCK** can kill

- Have an electrician install and service this equipment
- Turn the input power off at the fuse box before working on equipment
- Do not touch electrically hot parts
- Prior to performing preventive maintenance, perform the following capacitor discharge procedure to avoid electric shock

---

Sometimes machine failures appear to be due to PC board failures. These problems can sometimes be traced to poor electrical connections. To avoid problems when troubleshooting and replacing PC boards, please use the following procedure:

1. Determine to the best of your technical ability that the PC board is the most likely component causing the failure symptom.
2. Check for loose connections at the PC board to assure that the PC board is properly connected.
3. If the problem persists, replace the suspect PC board using standard practices to avoid static electrical damage and electrical shock.

4. Test the machine to determine if the failure symptom has been corrected by the replacement PC board.

**NOTE:** Allow the machine to heat up so that all electrical components can reach their operating temperature.

5. Remove the replacement PC board and substitute it with the original PC board to recreate the original problem.
  - If the original problem does not reappear by substituting the original board, then the PC board was not the problem. Continue to look for bad connections in the control wiring harness, junction blocks, and terminal strips.
  - If the original problem is recreated by the substitution of the original board, then the PC board was the problem. Reinstall the replacement PC board and test the machine.
6. Always indicate that this procedure was followed when warranty reports are to be submitted.

**NOTE:** Following this procedure and writing on the warranty report, "INSTALLED AND SWITCHED PC BOARDS TO VERIFY PROBLEM," will help avoid denial of legitimate PC board warranty claims.

# TROUBLESHOOTING

**!! WARNING !!**

**BEFORE CONNECT POWER SUPPLY, MAKE A CAREFUL VISUAL INSPECTION INSIDE THE MACHINE , CHECK ALL THE BOARDS AND HARNESES.**

PROBLEMS / SYMPTOMS	POSSIBLE AREAS OF MISADJUSTMENT(S)	CHECKS	RECOMMENDED COURSE OF ACTION
THE LINE CIRCUIT BREAKER TRIPS WHEN MACHINE ON/OFF SWITCH IS MOVED TO " ON"	<ul style="list-style-type: none"> <li>INPUT RECTIFIER BRIDGE IS IN SHORT CIRCUIT</li> <li>DC BUS CAPACITORS FAILURE</li> <li>IGBTs SHORT CIRCUITED</li> </ul>	<ul style="list-style-type: none"> <li>PERFORM THE INPUT RECTIFIER BRIDGE AND INVERTER BOARD RESISTANCE TEST</li> </ul>	<ul style="list-style-type: none"> <li>REPLACE THE INPUTC RECTIFIER BRIDGE OR THE INVERTER BOARD</li> </ul>
THE MACHINE IS DEAD, NO LIGHTS, NO DISPLAY, NO OUTPUT	<ul style="list-style-type: none"> <li>THERE IS NO POWER SUPPLY ON INPUT LINE</li> <li>THE INPUT POWER SUPPLY CABLE IS INTERRUPTED</li> <li>THE EMI FILTER IS DAMAGED</li> <li>LINE SWITCH FAILURE</li> <li>THE VOLTAGE SUPPLY BOARD IS DAMAGED</li> </ul>	<ul style="list-style-type: none"> <li>CHECK THE PHASE INPUT VOLTAGE ON THE MACHINE</li> <li>CHECK THE INPUT POWER SUPPLY CABLE</li> <li>PERFORM THE EMI FILTER BOARD RESISTANCE AND VOLTAGE TEST</li> <li>CHECK THE LINE SWITCH</li> <li>PERFORM THE VOLTAGE SUPPLY BOARD TEST</li> </ul>	<ul style="list-style-type: none"> <li>RECONNECT THE POWER SUPPLY</li> <li>REPLACE THE INPUT POWER CABLE</li> <li>REPLACE THE EMI FILTER BOARD</li> <li>REPLACE THE LINE SWITCH</li> <li>REPLACE THE VOLTAGE SUPPLY BOARD</li> </ul>
THERMAL INDICATOR LIT (ON) ON USER INTERFACE (UI)	<ul style="list-style-type: none"> <li>ONE OF THE THERMAL PROTECTIONS HAVE TRIPPED.</li> </ul>	<ul style="list-style-type: none"> <li>WAIT THE MACHINE TO COOL, THE RESET SHOULD OCCUR WITHIN ABOUT 8-10 MINUTES</li> <li>CHECK FANS AND THERMAL PROTECTION CIRCUIT</li> </ul>	<ul style="list-style-type: none"> <li>REPLACE THE DEFECTIVE FAN</li> <li>REPLACE THE BOARD /ASSEMBLY WHERE THE FAULTY THERMAL SENSOR IS MOUNTED</li> </ul>
THERE IS NO WIRE FEED WHEN THE TRIGGER IS ACTIVATED. OPEN CIRCUIT VOLTAGE IS PRESENT AND GAS SOLENOID WORKS PROPERLY	<ul style="list-style-type: none"> <li>IF THE DRIVE ROLL IS TURNING A MECCANICAL RESTRICTION IN THE WIRE FEED PATH CAN BE THE CAUSE</li> <li>THE GUN LINER MAY BE CLOGGED</li> <li>THE DRIVE ROLL IS NOT TURNING</li> </ul>	<ul style="list-style-type: none"> <li>CHECK THE WIRE FEED PATH FOR MECCANICAL RESTRICTION/PROBLEMS</li> <li>CHECK THE GUN LINER</li> <li>CHECK THE DRIVE ROLL PRESSURE</li> <li>PERFORM THE CONTROL BOARD VOLTAGE TEST</li> </ul>	<ul style="list-style-type: none"> <li>REMOVE ANY POSSIBLE RESTRICTION</li> <li>REPLACE THE GUN LINER</li> <li>SET THE CORRECT DRIVE ROLLS PRESSURE</li> <li>REPLACE THE WIRE DRIVE MOTOR OR CONTROL BOARD</li> </ul>
THE ARC IS UNSTABLE	<ul style="list-style-type: none"> <li>THE CONTACT TIP MAY BE WORN</li> <li>BAD OR LOOSE CONNECTIONS ON THE WORK OR GUN CABLE</li> <li>WELDING POLARITY MAY IS NOT CORRECT FOR THE PROCESS BEING USED</li> <li>WELDING WIRE MAY BE RUSTED OR DIRTY</li> </ul>	<ul style="list-style-type: none"> <li>CHECK THE STATUS OF THE CONTACT TIP</li> <li>CHECK THE STATUS OF THE WORK AND GUN CABLE</li> <li>CHECK THE WELDING POLARITY</li> <li>CHECK THE CONDITION OF THE WELDING WIRE</li> </ul>	<ul style="list-style-type: none"> <li>REPLACE THE CONTACT TIP IF WORN</li> <li>REPLACE THE WORK CABLE OR TORCH</li> <li>CHANGE THE POLARITY ACCORDINGLY TO THE USED PROCESS</li> <li>REPLACE THE WELDING WIRE IF DIRTY OR RUSTED</li> </ul>
POROSITY ARE PRESENT ON WELD BEAD	<ul style="list-style-type: none"> <li>WELDING POLARITY MAY IS NOT CORRECT FOR THE PROCESS BEING USED</li> <li>SHIELDING GAS OR FLOW MAY IS NOT CORRECT</li> <li>THE WELDING JOINT IS CONTAMINATED</li> </ul>	<ul style="list-style-type: none"> <li>CHECK THE WELDING POLARITY</li> <li>CHECK THE SHIELDING GAS OR THE GAS FLOW</li> <li>CHECK THE WELDING JOINT, FOR OIL, RUST OR ANY OTHER CONTAMINATIONS</li> </ul>	<ul style="list-style-type: none"> <li>CHANGE THE POLARITY ACCORDINGLY TO THE USED PROCESS</li> <li>CHANGE THE GAS TYPE OR FLOW RATE</li> <li>CHECK THE GAS CIRCUIT FOR LOOSEN CONNECTIONS OR BROKEN TUBE</li> <li>CLEAN THE JOINT</li> </ul>
THERE IS NO GAS FLOW WHEN GUN IS TRIGGER IS PULLED. WIRE FEEDS AND WELD VOLTAGE IS PRESENT	<ul style="list-style-type: none"> <li>THE GAS BOTTLE MAY BE EMPTY</li> <li>THE GAS HOSE MAY BE BROKEN</li> </ul>	<ul style="list-style-type: none"> <li>CHECK GAS SOURCE AND HOSES FOR LEAKS OR KINKS</li> <li>CHECK GAS REGULATOR ON THE BOTTLE FOR THE PRESSURE BEING SET TO HIGH</li> <li>THE GAS SOLENOID MAY BE FAULTY</li> <li>THE CONTROL BOARD MAY BE FAULTY</li> </ul>	<ul style="list-style-type: none"> <li>REPLACE THE GAS BOTTLE</li> <li>REPLACE THE GAS HOSE</li> <li>REDUCE THE PRESSURE OF THE GAS REGULATOR</li> <li>REPLACE THE GAS SOLENOID</li> <li>REPALCE THE CONTROL BOARD</li> </ul>



# SIDE PANELS REMOVAL AND DC BUS CAPACITORS DISCHARGE PROCEDURE

---

## WARNING

Service and repair should be performed only by Lincoln Electric factory trained personnel. Unauthorized repairs performed on this equipment may result in danger to the technician or machine operator and will invalidate your factory warranty. For your safety and to avoid electrical shock, please observe all safety notes and precautions detailed throughout this manual.

If for any reason you do not understand the test procedures or are unable to perform the test/repairs safely, contact your Local Lincoln Electric Service Department for electrical troubleshooting assistance before you proceed.

.....

## DESCRIPTION

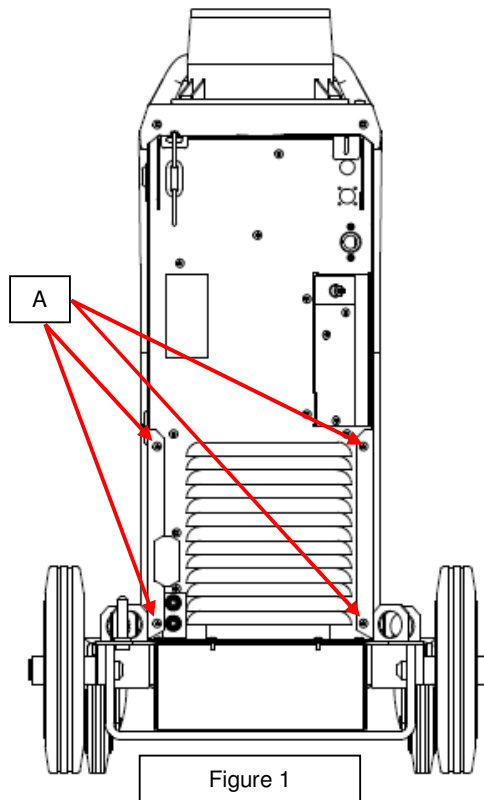
This procedure will aid the technician in the removal and replacement of the left and right metal panels and discharging the DC Bus capacitors making it safe for the technician to work on the machine.

## MATERIALS NEEDED

Torx T25 wrench

# DIGISTEEL 355S, 425S,505S – SIDE PANELS COVER REMOVAL

---



## Necessary tool:

- Torx T25 wrench

## Procedure:

1. Turn ON/OFF switch to OFF position.
2. Disconnect Input Power from the machine !
3. Remove the 4 screws (**A**) from the rear position of the left and right side panel. **See Figure 1**
4. Remove the left and right panel sliding them to the back of the machine

Follow the next session to **perform the discharge procedure**

# DISCHARGE PROCEDURE

## WARNING



**ELECTRIC SHOCK** can kill

Have an electrician install and service this equipment  
Turn the input power off at the fuse box before working on equipment

Do not touch electrically hot parts

Prior to performing preventive maintenance, perform the following capacitor discharge procedure to avoid electric shock.

## DC BUS CAPACITOR DISCHARGE PROCEDURE

1. Remove main input power to the **DIGISTEEL 355S, 425S, 505S**
2. Remove the left side panel following the case removal procedure available in this Service manual.

3. The capacitors are discharged by discharge resistors integrated into the main board in about 2 (two) minutes.
4. Locate the terminals **POS** and **NEG** on the Input Rectifier bridge, **See Figure 1**.
5. Connect your multi-meter positive probe to **POS** terminal point and your negative probe to **NEG** terminal and check the voltage.
6. In case of presence of residual voltage follow the next steps
7. Obtain a high resistance and high wattage resistor (500-1000 ohms and 25 watts minimum). This resistor is NOT supplied with the machine. **NEVER USE A SHORTING STRAP FOR THIS PROCEDURE.**
8. Use electrically insulate gloves and insulated pliers. Hold the body of the resistor and connect the resistor leads across the two points POS and NEG. **See Figure 1**. Hold the resistor in place for 10 seconds. **DO NOT TOUCH CAPACITOR TERMINALS WITH YOUR BARE HANDS.**
9. Check again the voltage across the two terminals. Voltage should be zero. If any voltage remains, repeat this procedure.

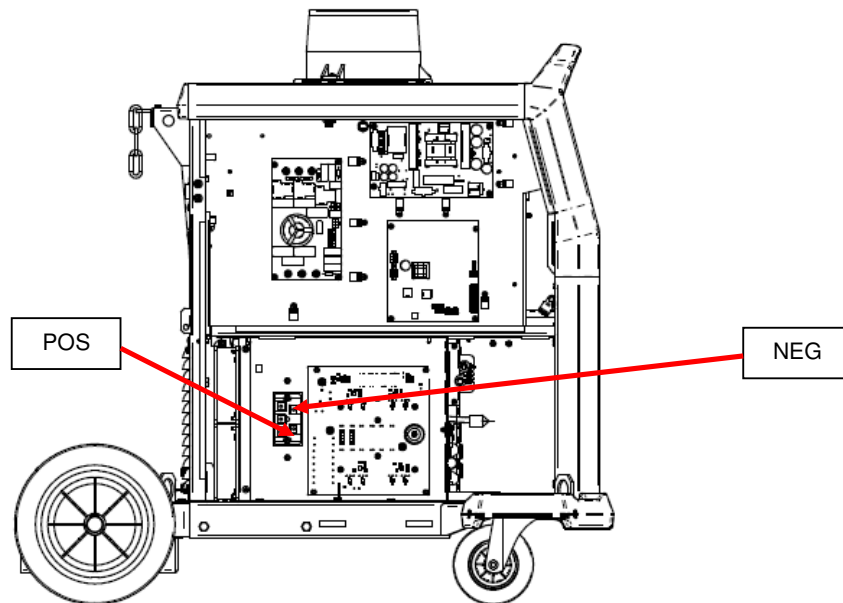


Figure 1

# EMI FILTER BOARD RESISTANCE TEST

---

## WARNING

Service and repair should be performed by only Lincoln Electric factory trained personnel. Unauthorized repairs performed on this equipment may result in danger to the technician or machine operator and will invalidate your factory warranty. For your safety and to avoid electrical shock, please observe all safety notes and precautions detailed throughout this manual. If for any reason you do not understand the test procedures or are unable to perform the test/repairs safely, contact your Local Lincoln Electric Service Department for electrical troubleshooting assistance before you proceed.

.....

### TEST DESCRIPTION

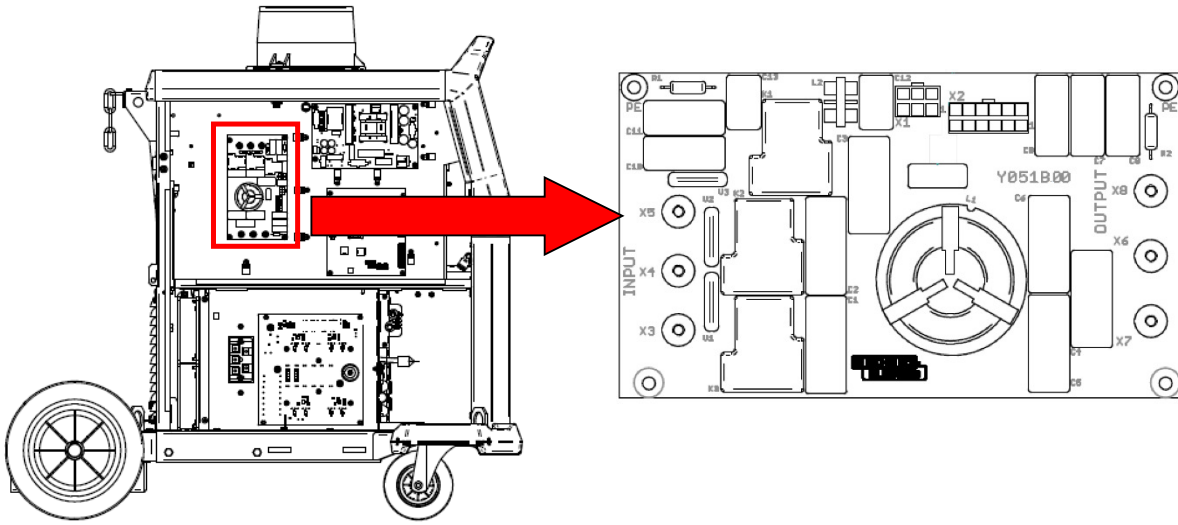
This test will determine if the EMI Filter Board (Y051-1 for DIGISTEEL 355S; Y056-1 for DIGISTEEL 425S and 505S) is good or defect.

### MATERIALS NEEDED

Volt / Ohmmeter

# EMI FILTER BOARD RESISTANCE TEST (continued)

Y051-1 for DIGISTEEL 355S



## TEST PROCEDURE

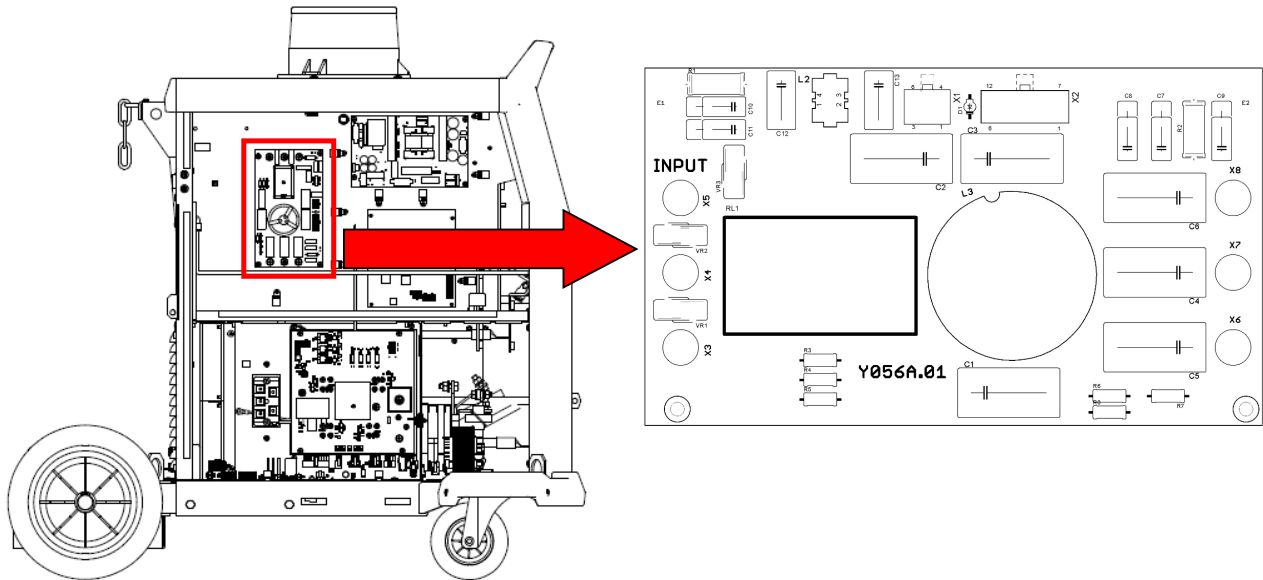
1. Remove main input power to the DIGISTEEL 355S.
2. **WARNING !** EMI filter is directly connected to the main line, be sure to have the plug removed from the mains !
3. The following tests can be performed without removing the EMI filter from the machine, just disconnect all cables from points **X3,X4,X5,X6,X7,X8** and connectors **X1,X2** from it.
4. Visually check for burned or damaged components. If any components are physically damaged the EMI filter board has to be replaced.
5. Using the Volt-Ohmmeter (ohm mode) perform the tests following the below table test:

EMI Filter Board - Table tests 1

Positive Probe (RED)	Negative Probe (BLACK)	Value
X3	X4	OPEN
X4	X5	OPEN
X3	X5	OPEN
X6	X7	OPEN
X7	X8	OPEN
X6	X8	OPEN
X3	X6,X7,X8	OPEN
X4	X6,X7,X8	OPEN
X5	X6,X7,X8	OPEN
X3	X1/5	0 OHMS
X5	X1/3	0 OHMS
X6	X2/1	0 OHMS
X7	X2/8	0 OHMS
X8	X2/3	0 OHMS

# EMI FILTER BOARD RESISTANCE TEST (continued)

Y056-1 for DIGISTEEL 425S and 505S



## TEST PROCEDURE

1. Remove main input power to the DIGISTEEL 425S and 505S.
2. **WARNING !** EMI filter is directly connected to the main line, be sure to have the plug removed from the mains !
3. The following tests can be performed without removing the EMI filter from the machine, just disconnect all cables from points **X3,X4,X5,X6,X7,X8** and connectors **X1,X2** from it.
4. Visually check for burned or damaged components. If any components are physically damaged the EMI filter board has to be replaced.
5. Using the Volt-Ohmmeter (ohm mode) perform the tests following the below table test:

EMI Filter Board - Table tests 1

Positive Probe (RED)	Negative Probe (BLACK)	Value
X3	X7	OPEN
X4	X6	OPEN
X5	X8	OPEN
X6	X7	OPEN
X7	X8	OPEN
X6	X8	OPEN
X3	X6,X7,X8	OPEN
X4	X6,X7,X8	OPEN
X5	X6,X7,X8	OPEN
X3	X1/5	0 OHMS
X5	X1/3	0 OHMS
X6	X2/8	0 OHMS
X7	X2/1	0 OHMS
X8	X2/3	0 OHMS

# INPUT RECTIFIER BRIDGE RESISTANCE TEST

---

## WARNING

Service and repair should be performed by only Lincoln Electric factory trained personnel. Unauthorized repairs performed on this equipment may result in danger to the technician or machine operator and will invalidate your factory warranty. For your safety and to avoid electrical shock, please observe all safety notes and precautions detailed throughout this manual. If for any reason you do not understand the test procedures or are unable to perform the test/repairs safely, contact your Local Lincoln Electric Service Department for electrical troubleshooting assistance before you proceed.

.....

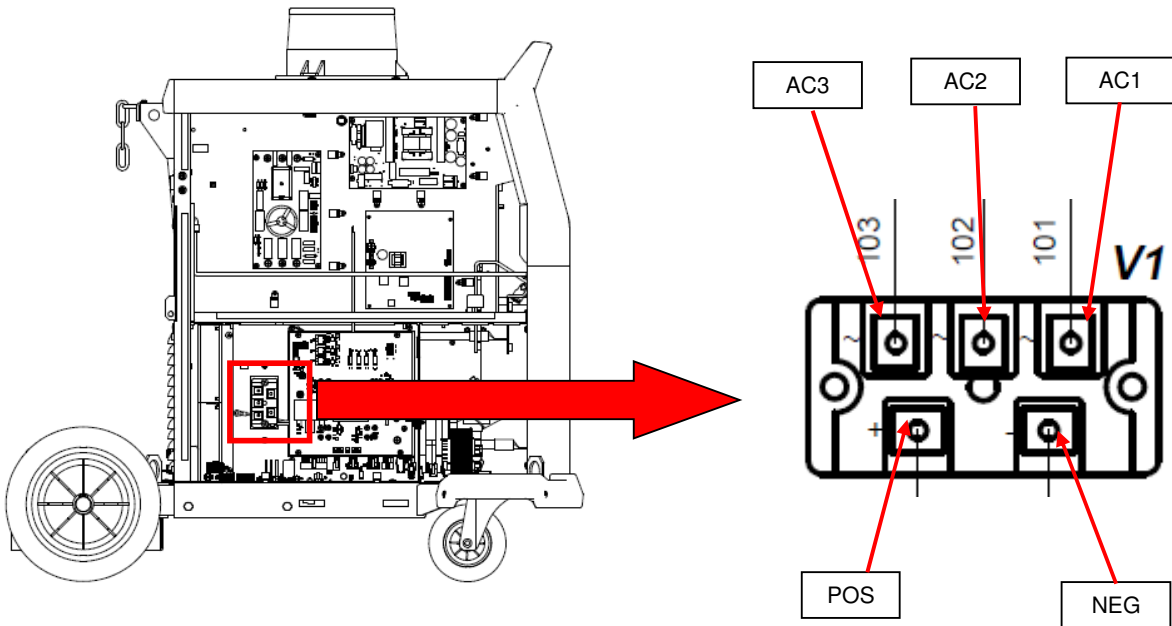
## TEST DESCRIPTION

This test will determine if the Input Rectifier Bridge has failed.

## MATERIALS NEEDED

Volt / Ohmmeter  
Machine Wiring Diagrams

## INPUT RECTIFIER BRIDGE RESISTANCE TEST (continued)



### TEST PROCEDURE

1. Remove main input power to the DIGISTEEL 355S, 425S, 505S.
2. Perform the **Discharge procedure**
3. Disconnect the cables 104 and 105 from the POS and NEG rectifier bridge terminals
4. Using the Volt-Ohmmeter (diode test mode) check the Input Rectifier **V1** (see **Table tests 1**)

**Input Bridge V1 - Table tests 1**

Positive Probe (RED)	Negative Probe (BLACK)	Value
AC1	+	0.3V - 0.7V
AC2	+	0.3V - 0.7V
AC2	+	0.3V - 0.7V
+	AC1	OPEN
+	AC2	OPEN
+	AC3	OPEN
-	AC1	0.3V - 0.7V
-	AC2	0.3V - 0.7V
-	AC3	0.3V - 0.7V
AC1	-	OPEN
AC2	-	OPEN
AC3	-	OPEN



# INVERTER BOARD RESISTANCE TEST

---

## WARNING

Service and repair should be performed by only Lincoln Electric factory trained personnel. Unauthorized repairs performed on this equipment may result in danger to the technician or machine operator and will invalidate your factory warranty. For your safety and to avoid electrical shock, please observe all safety notes and precautions detailed throughout this manual. If for any reason you do not understand the test procedures or are unable to perform the test/repairs safely, contact your Local Lincoln Electric Service Department for electrical troubleshooting assistance before you proceed.

.....

## TEST DESCRIPTION

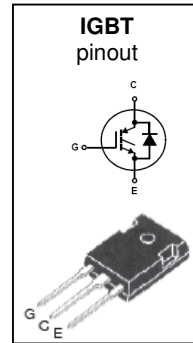
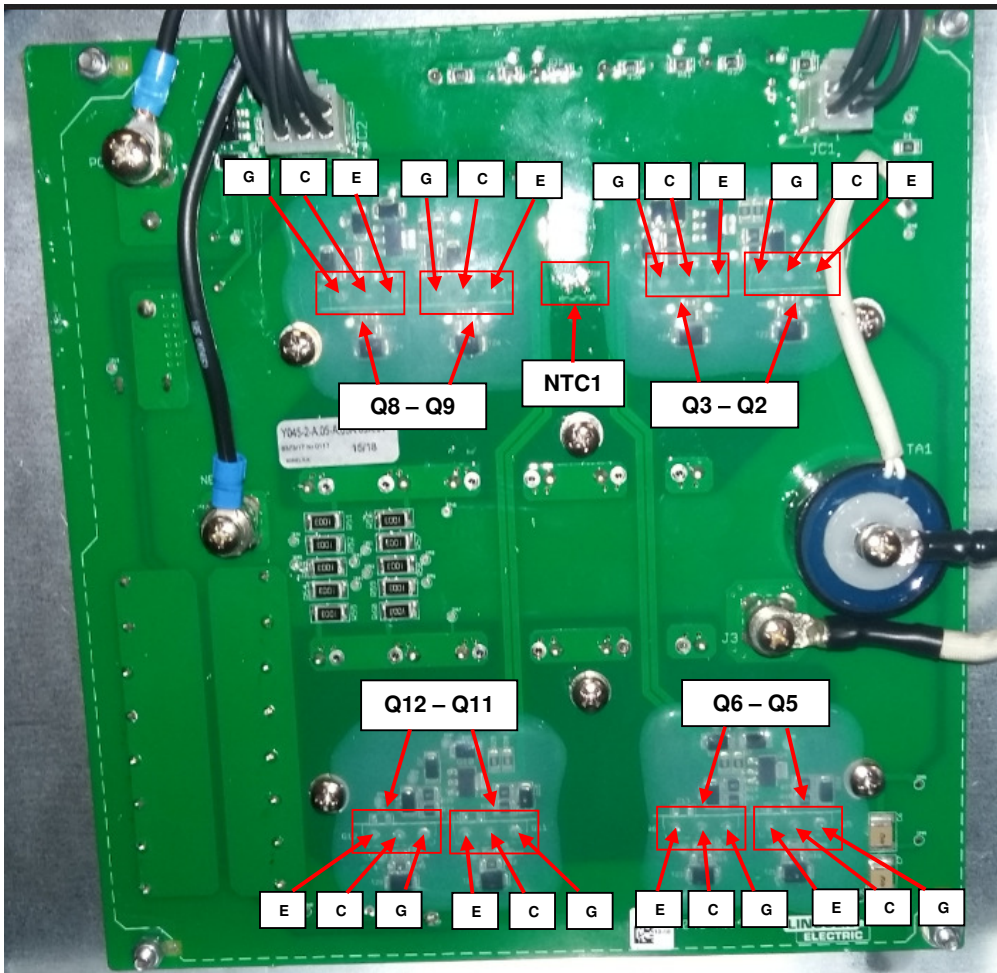
This test will determine if the Inverter board has failed.

## MATERIALS NEEDED

Volt / Ohmmeter  
Machine Wiring Diagrams

# INVERTER BOARD RESISTANCE TEST (continued)

Y045-2 for DIGISTEEL 355S



## TEST PROCEDURE

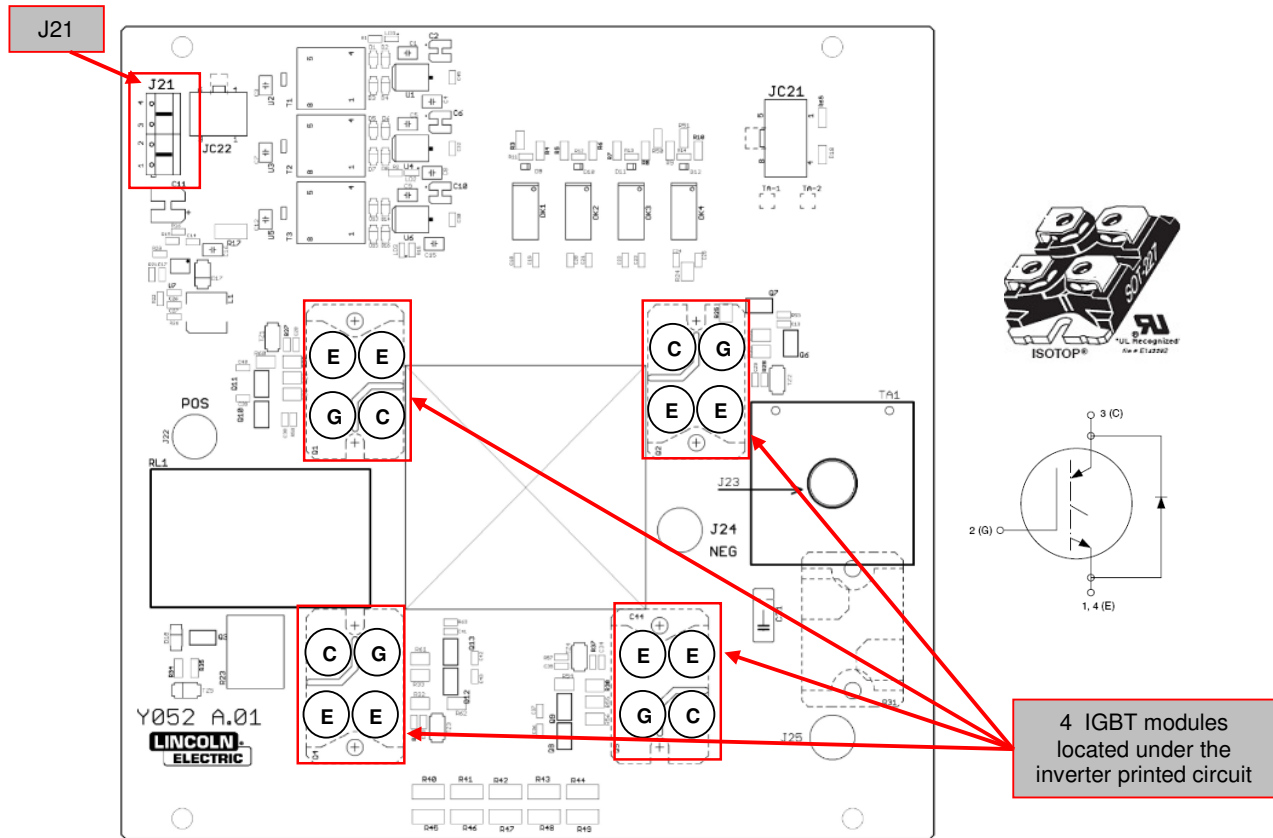
1. Remove main input power to the DIGISTEEL 355S.
2. Perform the **Discharge procedure**
3. Without disconnect any cables check Inverter IGBT **Q2,Q3,Q5,Q6,Q8,Q9,Q11 and Q12**, using the Volt-Ohmmeter (diode test mode), following the **Table tests 2**
4. Check the **NTC1** value using the ohmmeter, correct value is 11Kohms +/- 15%

IGBT Q2,Q3,Q5,Q6,Q8,Q9,Q11,Q12 - Table tests 2

Positive Probe (RED)	Negative Probe (BLACK)	Value
Emitter (E)	Collector (C)	0.3V - 0.7V
Collector (C)	Emitter (E)	OPEN
Emitter (E)	Gate (G)	0.15V - 0.4V

# INVERTER BOARD RESISTANCE TEST (continued)

Y052-1 for DIGISTEEL 425S, 505S



## TEST PROCEDURE

1. Remove main input power to the DIGISTEEL 425S and 505S.
2. Perform the **Discharge procedure**
3. Without disconnect any cables check Inverter IGBT **Q1,Q2,Q4,Q5**, using the Volt-Ohmmeter (diode test mode), following the **Table tests 2**

IGBT Q1,Q2,Q4,Q5 - Table tests 2

Positive Probe (RED)	Negative Probe (BLACK)	Value
Emitter (E)	Collector (C)	0.3V - 0.7V
Collector (C)	Emitter (E)	OPEN
Emitter (E)	Gate (G)	0.3V - 0.7V

4. Check on **J21** connector the **NTC1** and **TH1** value using the ohmmeter, following the Tables here below:



	Positive Probe (RED)	Negative Probe (BLACK)	Value
<b>TH1</b>	Pin 1	Pin 2	0 (Zero) Ohm
<b>NTC</b>	Pin 3	Pin 4	12K Ohms +/- 10%

# OUTPUT RECTIFIER MODULES RESISTANCE TEST

---

## WARNING

Service and repair should be performed by only Lincoln Electric factory trained personnel. Unauthorized repairs performed on this equipment may result in danger to the technician or machine operator and will invalidate your factory warranty. For your safety and to avoid electrical shock, please observe all safety notes and precautions detailed throughout this manual. If for any reason you do not understand the test procedures or are unable to perform the test/repairs safely, contact your Local Lincoln Electric Service Department for electrical troubleshooting assistance before you proceed.

.....

### TEST DESCRIPTION

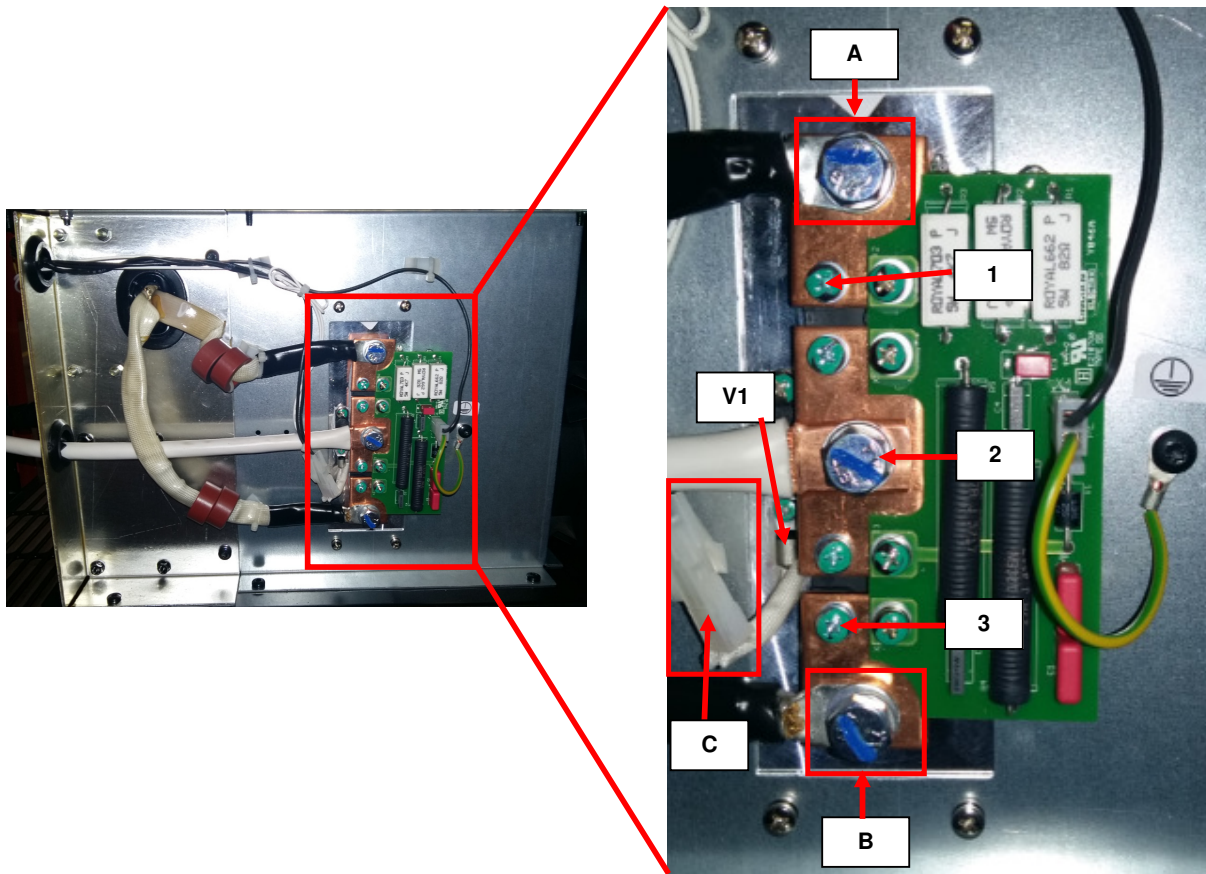
This test will help determine if the output diode modules are functioning correctly.

### MATERIALS NEEDED

Volt / Ohmmeter  
Machine Wiring Diagrams  
13 mm wrench

# OUTPUT RECTIFIER MODULES RESISTANCE TEST (continued)

Y046-1 for DIGISTEEL 355S



## TEST PROCEDURE

1. Remove main input power to the DIGISTEEL 355S.
2. Perform the Discharge procedure
3. Locate the output diodes module on the right side of the machine
4. Visually check for burned or damaged components. If any components are physically damaged should be replaced.
5. Using a 13mm wrench remove the cables (A) and (B) as shown in the above picture.
6. Using the multi-meter in diode test mode check each rectifier module following the table tests below:

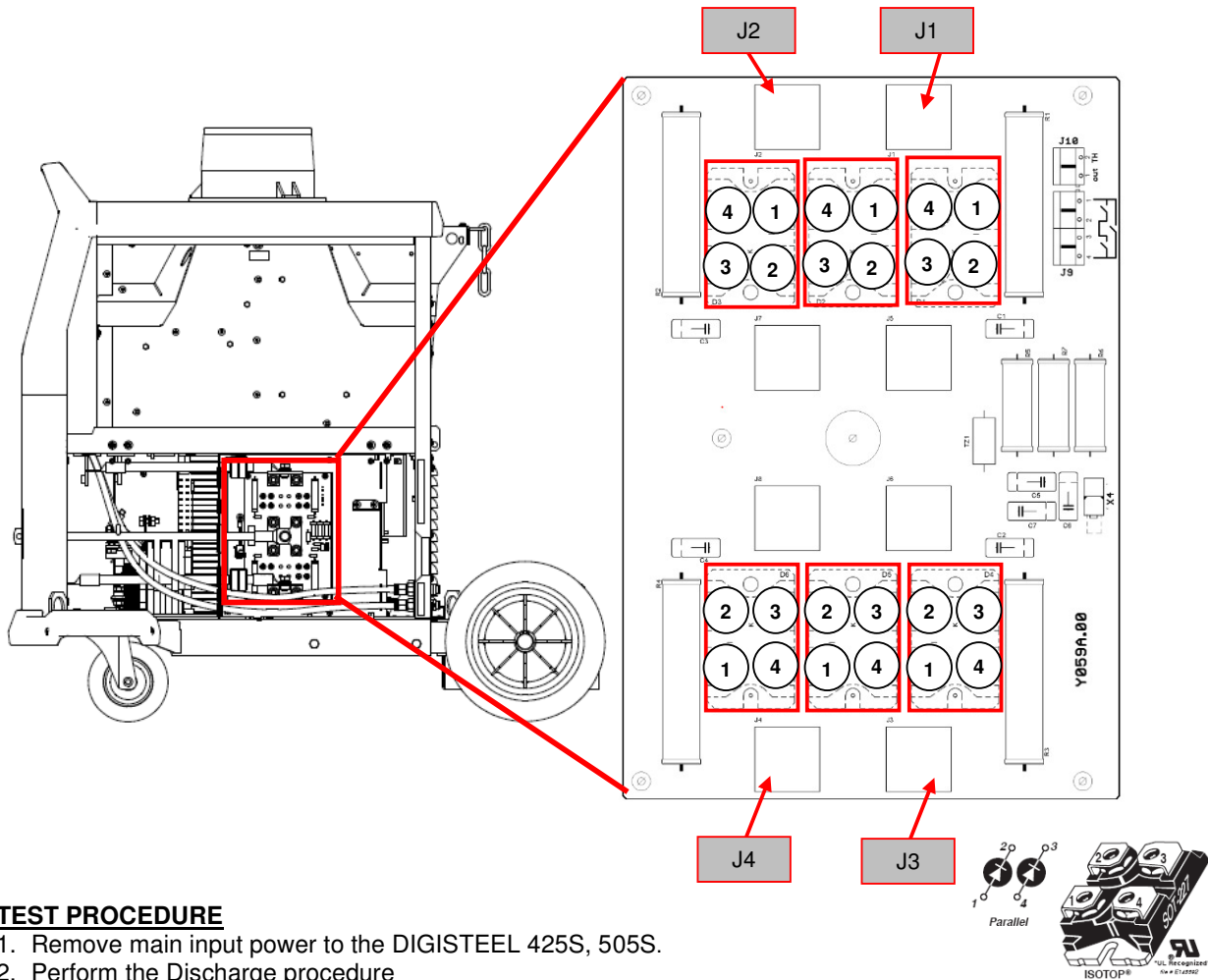
Output diode module Test – Table test 3

Positive Probe (RED)	Negative Probe (BLACK)	Value
1	2	0,3V-0,4V
2	1	OPEN
2	3	OPEN
3	2	0,3V-0,4V

To check the correct value of the PTC V1, disconnect the connector (C) and measure in ohm mode, correct value has to be 11Kohms +/- 15%

# OUTPUT RECTIFIER MODULES RESISTANCE TEST (continued)

Y059-1 for DIGISTEEL 425S, 505S



## TEST PROCEDURE

1. Remove main input power to the DIGISTEEL 425S, 505S.
2. Perform the Discharge procedure
3. Locate the output diodes module on the right side of the machine
4. Visually check for burned or damaged components. If any components are physically damaged should be replaced.
5. Using a 13mm wrench remove the cables **J1,J2,J3,J4** as shown in the above picture.
6. Using the multi-meter in diode test mode check each rectifier module following the table tests below:

Output diode modules D1,D2,D3,D4,D5,D6 Test – Table test 3

Positive Probe (RED)	Negative Probe (BLACK)	Value
4 (anode)	3 (cathode)	0.3V - 0.7V
3 (cathode)	4 (anode)	OPEN
1 (anode)	2 (cathode)	0.3V - 0.7V
2 (cathode)	1 (anode)	OPEN

# EMI FILTER BOARD VOLTAGE TEST

---

## WARNING

Service and repair should be performed by only Lincoln Electric factory trained personnel. Unauthorized repairs performed on this equipment may result in danger to the technician or machine operator and will invalidate your factory warranty. For your safety and to avoid electrical shock, please observe all safety notes and precautions detailed throughout this manual. If for any reason you do not understand the test procedures or are unable to perform the test/repairs safely, contact your Local Lincoln Electric Service Department for electrical troubleshooting assistance before you proceed.

.....

## TEST DESCRIPTION

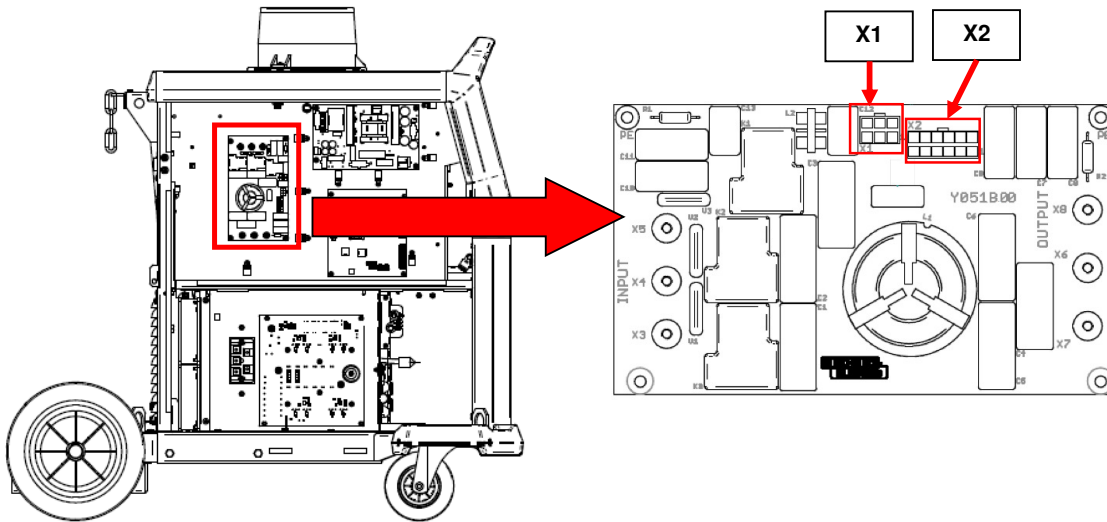
This test will help to determine if the input voltage applied to the EMI filter is passing through it and arrive correctly to the main board.

## MATERIALS NEEDED

Volt/Ohmmeter  
Machine Wiring Diagrams

# EMI FILTER BOARD VOLTAGE TEST (continued)

Y051-1 for DIGISTEEL 355S



## TEST PROCEDURE

**⚠ Use always electrically insulate gloves during this test procedure**

1. Remove main input power to the DIGISTEEL 355S.
2. Follow the case removal procedure available in this Service Manual
3. Apply 400 Vac +/- 10% to the DIGISTEEL 355S.
4. **WARNING!** EMI filter is connected before the machine ON/OFF switch !
5. Check between EMI filter input voltage points **X3, X4 and X5** for 400Vac +/- 10% and between EMI output points **X6, X7, X8** also for 400Vac +/- 10%
6. Check also other voltages as per the following Table tests:

### X1: EMI filter Board to ON/OFF Switch

Pin #	Description	Value	Notes
3	To ON/OFF switch	400Vac +/- 10%	Always also when switch is to OFF position
5			

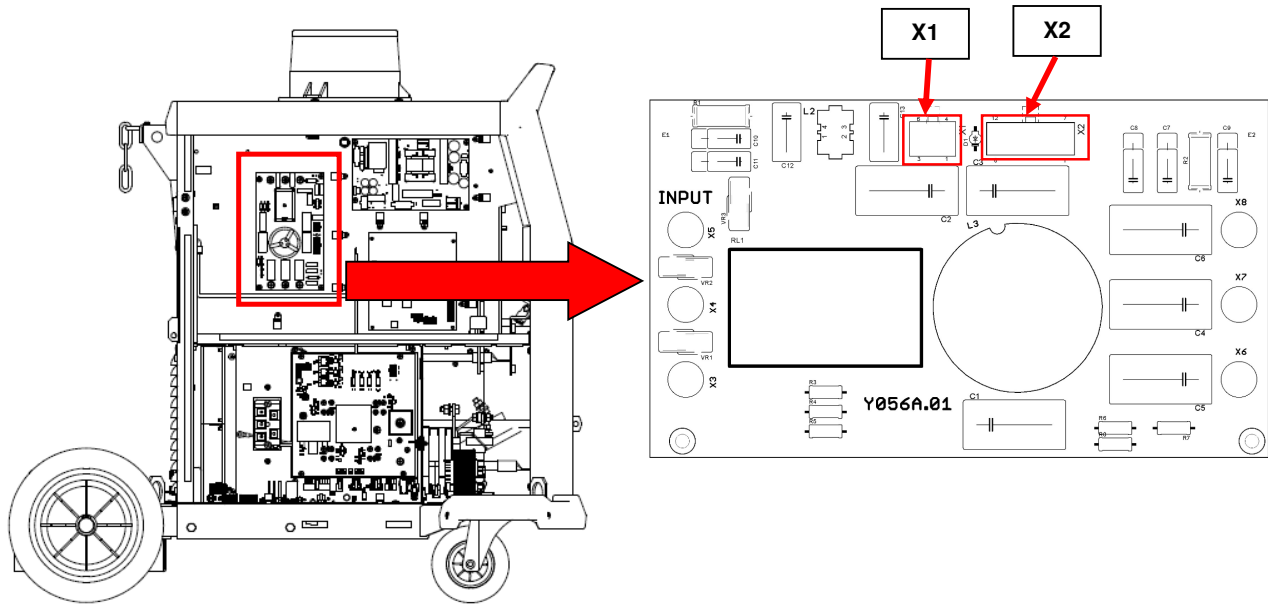
### X2: EMI Filter Board to Voltage Supply Board

Pin #	Description	Value	Notes
1	Power supply to Voltage Supply Board	400Vac between each of the three pins	Only after mains switch is ON
3			
8	Power supply for relays K1,K2,K3	+ 24Vdc +/-10%	When Mains switch is to ON
5			
6			



# EMI FILTER BOARD VOLTAGE TEST (continued)

Y056-1 for DIGISTEEL 425S, 505S



## TEST PROCEDURE

**⚠ Use always electrically insulate gloves during this test procedure**

7. Remove main input power to the DIGISTEEL 425S, 505S.
8. Follow the case removal procedure available in this Service Manual
9. Apply 400 Vac +/- 10% to the DIGISTEEL 425S, 505S.
10. **WARNING!** EMI filter is connected before the machine ON/OFF switch !
11. Check between EMI filter input voltage points **X3, X4 and X5** for 400Vac +/- 10% and between EMI output points **X6, X7, X8** also for 400Vac +/- 10%
12. Check also other voltages as per the following Table tests:

### X1: EMI filter Board to ON/OFF Switch

Pin #	Description	Value	Notes
3	To ON/OFF switch	400Vac +/- 10%	Always also when switch is to OFF position
5			

### X2: EMI Filter Board to Voltage Supply Board

Pin #	Description	Value	Notes
1	Power supply to Voltage Supply Board	400Vac between each of the three pins	Only after mains switch is ON
3			
8	Power supply for relays K1,K2,K3	+ 24Vdc +/-10%	When Mains switch is to ON
5			
6			

# VOLTAGE SUPPLY BOARD TEST

---

## WARNING

Service and repair should be performed by only Lincoln Electric factory trained personnel. Unauthorized repairs performed on this equipment may result in danger to the technician or machine operator and will invalidate your factory warranty. For your safety and to avoid electrical shock, please observe all safety notes and precautions detailed throughout this manual. If for any reason you do not understand the test procedures or are unable to perform the test/repairs safely, contact your Local Lincoln Electric Service Department for electrical troubleshooting assistance before you proceed.

.....

## TEST DESCRIPTION

This test will help to determine if the correct input voltages are applied to the voltage supply board and also if the correct regulated voltages are being processed by the board.

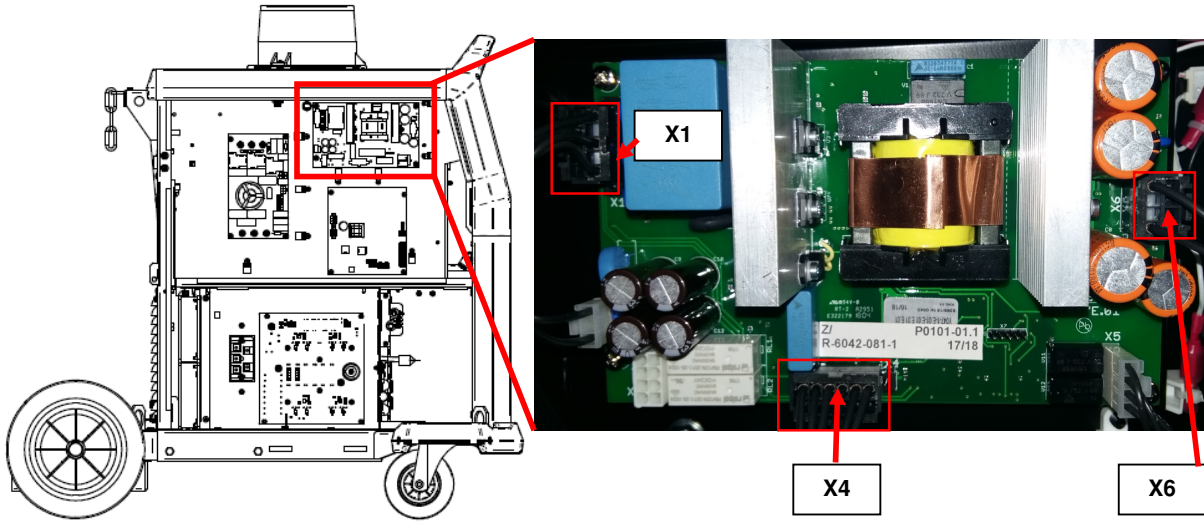
## MATERIALS NEEDED

Volt/Ohmmeter  
Machine Wiring Diagrams

# VOLTAGE SUPPLY BOARD TEST (continued)

## ⚠ WARNING

**DO NOT CONNECT THE SAME SCOPE GROUND BETWEEN HIGH SIDE AND LOW SIDE**



## TEST PROCEDURE

⚠ Use always electrically insulate gloves during this test procedure

1. Remove main input power to the DIGISTEEL 355S, 425S, 505S.
2. Follow the case removal procedure available in this Service Manual
3. Apply 400 Vac +/- 10% to the DIGISTEEL 355S, 425S, 505S.
4. Turn the machine mains switch to ON position
5. Follow the below tables tests:

### X1: Voltage Supply Board to EMI Filter

Pin #	Description	Value	Notes
1	Power supply to Voltage Supply Board	400Vac between each of the three pins	Only after mains switch is ON
3			
5			
7	Power supply for relays K1,K2,K3	+ 24Vdc +/-10%	When Mains switch is to ON
9			

### X4: Voltage Supply Board to Inverter Board (pin 6 is the GND)

Pin #	Description	Value	Notes
3	Inverter supply	+24 Vdc +/-10%	When Mains switch is to ON
6			
5	NTC1	+2,7 Vdc +/-10%	Normal condition , no over temperature condition
6			
4	RL1A power supply	+5Vdc +/-10%	After about 2 seconds after machine switch ON. Before the 2 seconds the value is 0 (zero) volt. It is the power supply for the relay RL1 That is by-pass the capacitors pre-charge PTC

### X6: Voltage Supply Board to Control Board

Pin #	Description	Value	Notes
1	Power supply to Control Board	+40Vdc +/- 0,1V	Power supply generated by the Voltage supply board for the Control Board
4			

# CONTROL BOARD VOLTAGE TEST

---

## WARNING

Service and repair should be performed by only Lincoln Electric factory trained personnel. Unauthorized repairs performed on this equipment may result in danger to the technician or machine operator and will invalidate your factory warranty. For your safety and to avoid electrical shock, please observe all safety notes and precautions detailed throughout this manual. If for any reason you do not understand the test procedures or are unable to perform the test/repairs safely, contact your Local Lincoln Electric Service Department for electrical troubleshooting assistance before you proceed.

.....

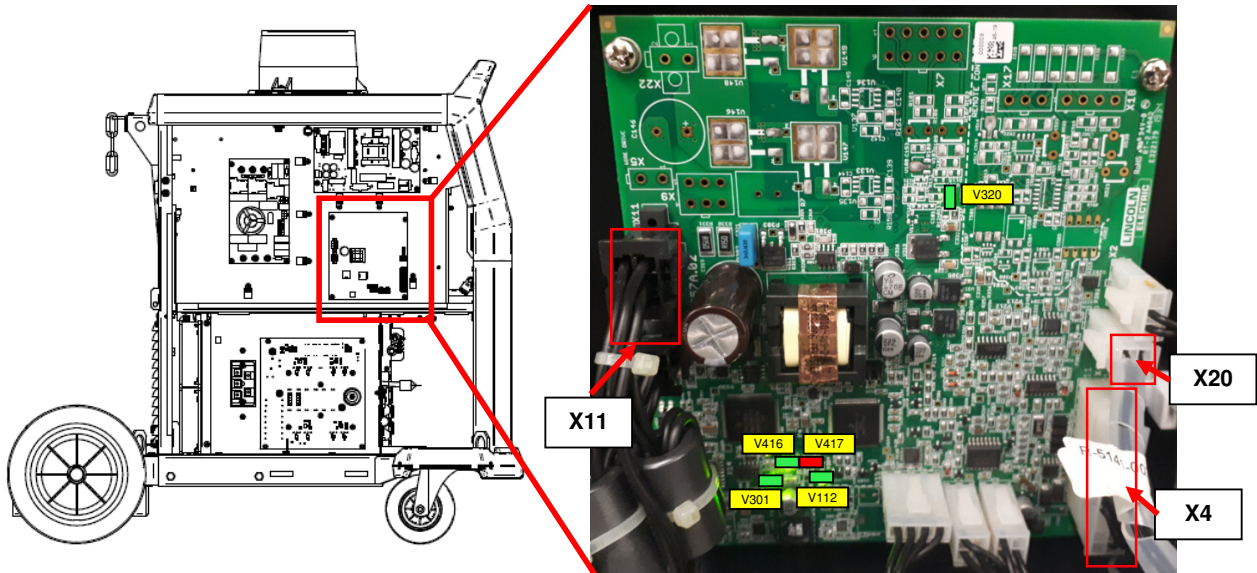
## TEST DESCRIPTION

This test will help to determine if the correct input voltage is being applied to the control board and if it may be faulty.

## MATERIALS NEEDED

Volt/Ohmmeter  
Machine Wiring Diagrams

## CONTROL BOARD TEST (continued)



### TEST PROCEDURE

⚠ **Use always electrically insulate gloves during this test procedure**

1. Remove main input power to the DIGISTEEL 355S, 425S, 505S.
2. Follow the case removal procedure available in this Service Manual
3. Apply 400 Vac +/- 10% to the DIGISTEEL 355S, 425S, 505S.
4. Turn the machine mains switch to ON position
5. Follow the below tables tests

**LEDs Table**

LED	Description	Status	Notes
V301	+24 Vdc	Always ON GREEN	It indicates that the 24Vdc is present
V416 & V417	Standard Arlink LEDs as in every Arlink control board	V416 has to be green if machine status is OK. V417 has to be OFF	In case or machine error they start blinking V416 green and V417 RED providing together the error code number (Lincoln Standard error codes)
V320	3,3V dc	Always ON (GREEN)	It indicates that the 3,3 V dc is present
V112	Status LED green	Always ON after about 10 seconds from Power ON	Indicated correct machine status

**X11: Voltage Supply Board to Control Board (pin 6 is GND)**

Pin #	Description	Value	Notes
5	Power supply to Control Board	+40Vdc +/- 0,1V	Power supply generated by the Voltage supply board for the Control Board
6			

**X20: Control Board to Current transducer (use pin 4 is GND)**

Pin #	Description	Value	Notes
1	Power supply	+15Vdc +/- 10%	Positive voltage supply for the current transducer
2	Power supply	-15Vdc +/- 10%	Negative voltage supply for the current transducer
3	Current feedback	Different values linked to the welding current	Welding current transducer feedback to control board

**X4: Control Board to LEDS and thermal sensors**

Pin #	Description	Value	Notes
7	Power supply for the internal LEDS	+24 Vdc +/- 10%	Always present
10			
4	Thermal sensors	0 Vdc	If all thermal sensors Y1, Y2, Y3 are closed If thermal is activated voltage is about 2,9 Vdc
13			

# INVERTER BOARD VOLTAGE TEST

---

## WARNING

Service and repair should be performed by only Lincoln Electric factory trained personnel. Unauthorized repairs performed on this equipment may result in danger to the technician or machine operator and will invalidate your factory warranty. For your safety and to avoid electrical shock, please observe all safety notes and precautions detailed throughout this manual. If for any reason you do not understand the test procedures or are unable to perform the test/repairs safely, contact your Local Lincoln Electric Service Department for electrical troubleshooting assistance before you proceed.

.....

## TEST DESCRIPTION

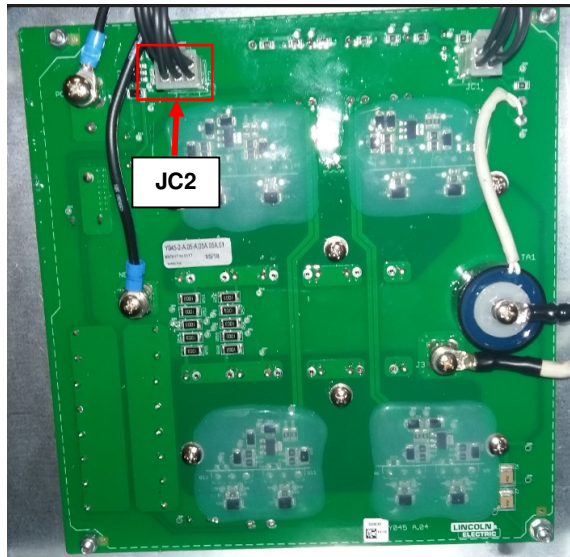
This test will help to determine if the main inverter board is receiving the correct input voltages and if the correct regulated voltages are being processed and maintained by the inverter.

## MATERIALS NEEDED

Volt/Ohmmeter  
Machine Wiring Diagrams

# INVERTER BOARD TEST (continued)

Y045-2 for DIGISTEEL 355S



## TEST PROCEDURE

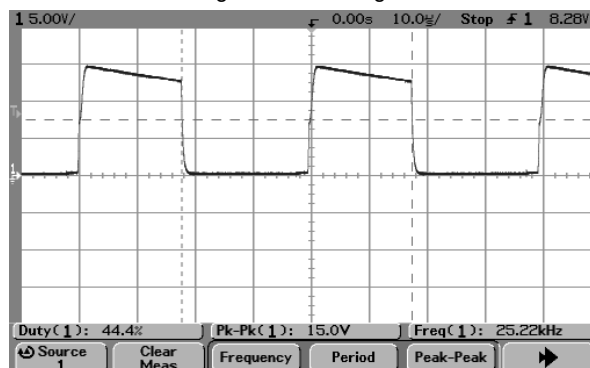
**⚠ Use always electrically insulate gloves during this test procedure**

1. Remove main input power to the DIGISTEEL 355S.
2. Follow the case removal procedure available in this Service Manual
3. Apply 400 Vac +/- 10% to the DIGISTEEL 355S.
4. Turn the machine mains switch to ON position
5. Follow the below tables tests

### JC2: Inverter Board to Control Board

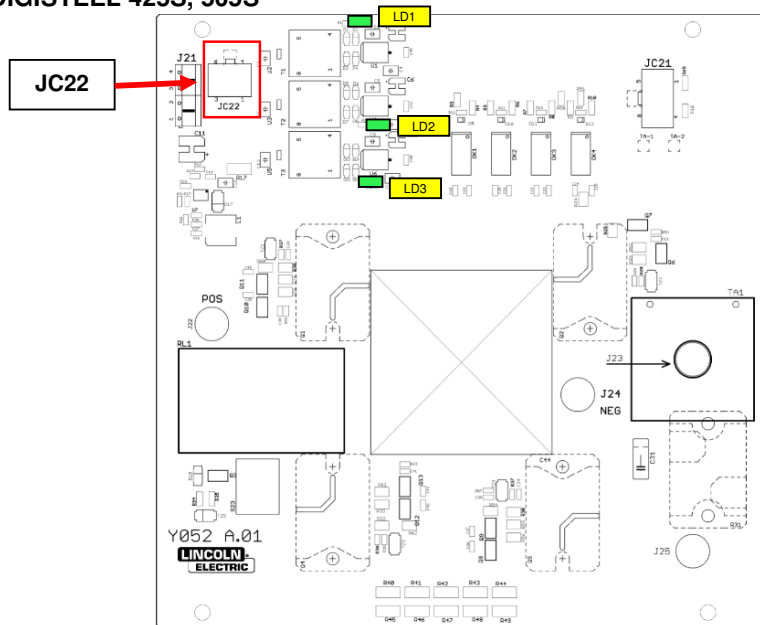
Pin #	Description	Value	Notes
1	Inverter circuit power supply	+ 24 Vdc +/- 10%	Generated by the Voltage supply Board
2			
1	Thermal sensor signal	+ 2,3 Vdc +/- 10%	ON/OFF thermal sensor signal
4			
1	Power Relay RL1A	+5 Vdc after 2 seconds from power up, before this time value is 0 (zero)	Control signal for the power Relay RL1A
5			

Gate Signal to each single IGBT:



# INVERTER BOARD TEST (continued)

Y052-1 for DIGISTEEL 425S, 505S



## TEST PROCEDURE

- ⚠ **Use always electrically insulate gloves during this test procedure**
- 6. Remove main input power to the DIGISTEEL 425S, 505S.
- 7. Follow the case removal procedure available in this Service Manual
- 8. Apply 400 Vac +/- 10% to the DIGISTEEL 425S, 505S.
- 9. Turn the machine mains switch to ON position
- 10. Follow the below tables tests

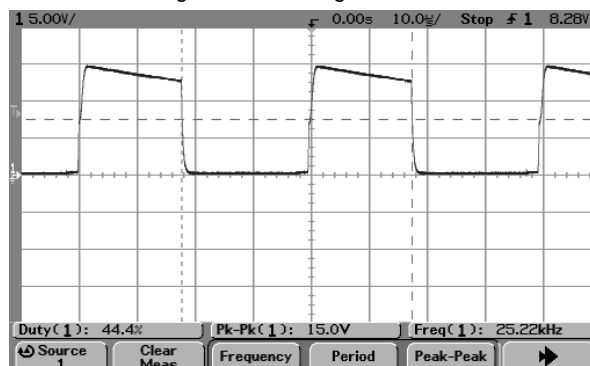
**LEDs Table**

LED	Description	Status	Notes
LD1 LD2 LD3	Power supply to the IGBT gates	Always green	Indicates that the gate circuits are supplied

**JC22: Inverter Board to Voltage Supply Board**

Pin #	Description	Value	Notes
1	Inverter circuit power supply	+ 24 Vdc +/- 10%	Generated by the Voltage supply Board
2			
1	Thermal sensor signal	+ 2,6 Vdc +/- 10%	ON/OFF thermal sensor signal
4			
1	Power Relay RL1A	+5 Vdc after 2 seconds from power up, before this time value is 0 (zero)	Control signal for the power Relay RL1A
5			

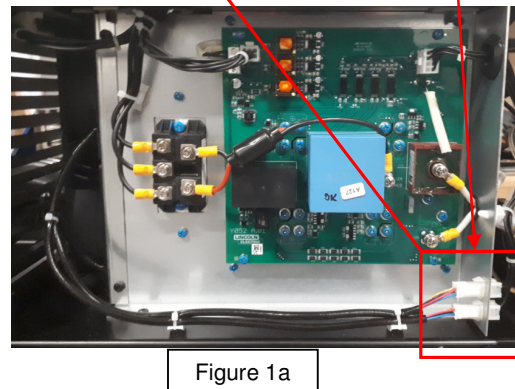
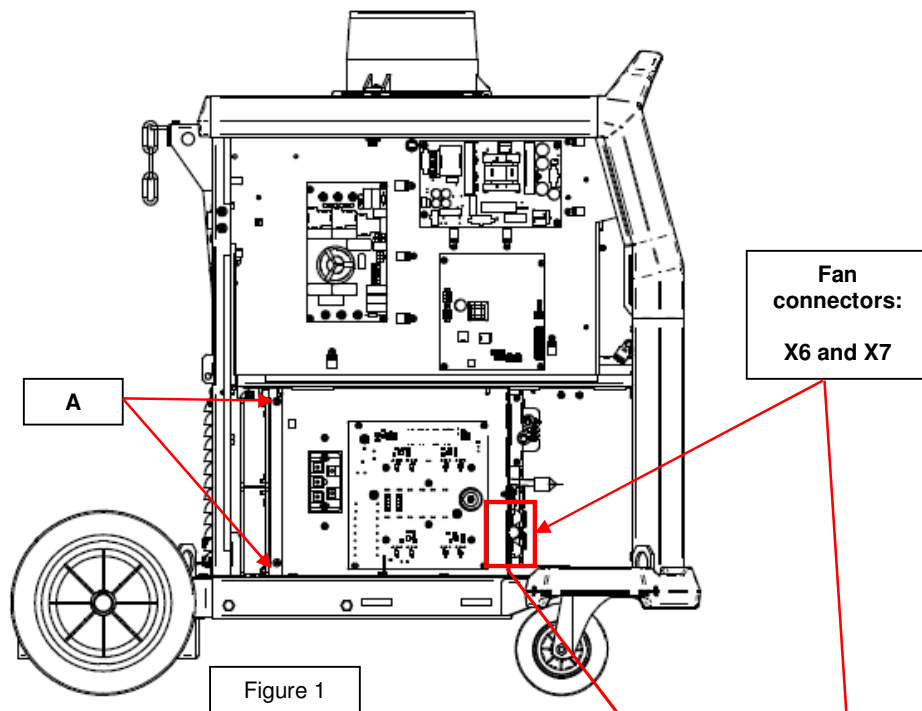
Gate Signal to each single IGBT module:





# DISASSEMBLY OPERATIONS

## FANS REMOVAL AND REPLACEMENT PROCEDURE



### REMOVAL PROCEDURE

#### **Necessary tool:**

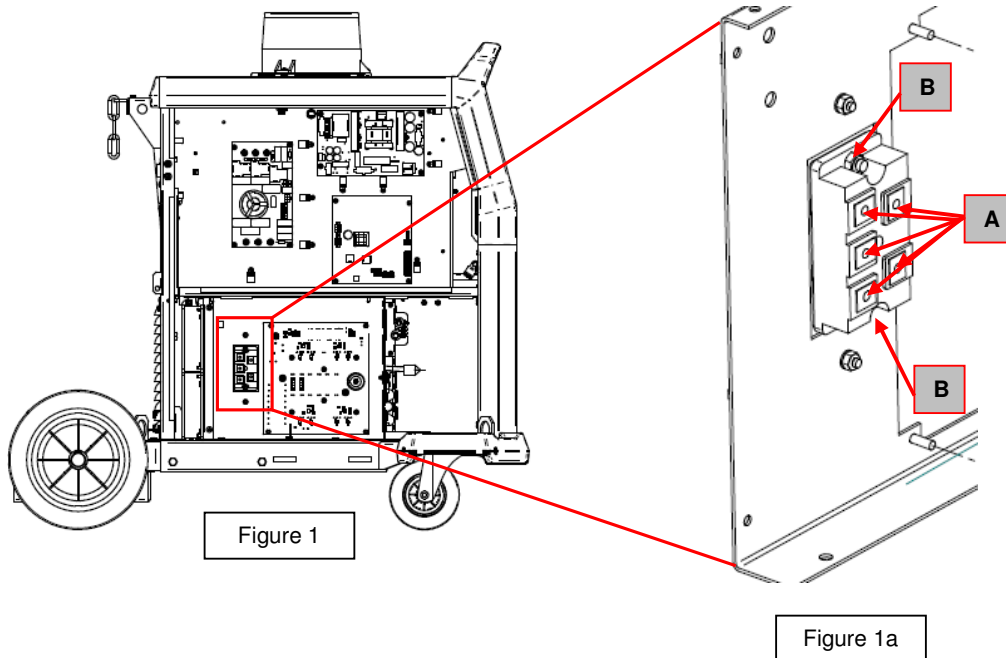
- Screwdriver type PH02
- Torx T25 wrench

1. Remove main input power to the DIGISTEEL 355S, 425S, 505S
2. Open the left side panel of the machine following the case cover removal procedure.
3. **WARNING!** EMI filter is connected before the machine ON/OFF switch! Be sure to have disconnected the machine plug from the power supply.
4. Locate the two screws **A**, see **Figure 1**, and remove them.
5. Disconnect the two fan connectors **X6** and **X7**, see **Figure 1** and plastic ties that fix them to the machine harness and bottom plate. See **Figure 1**.
6. Pull the metal frame where the fans are mounted.
7. Remove the 4 screws that fix the broken fan to the metal frame

**For the Fans re-assembly operations, make the previous steps in the reverse order.**

# DISASSEMBLY OPERATIONS

## INPUT RECTIFIER REMOVAL AND REPLACEMENT PROCEDURE



### REMOVAL PROCEDURE

#### Necessary tools:

- 8mm nut driver
- Dow Corning 340 Heat Sink Compound
- Torque wrench
- PH02 screw driver

1. Remove main input power to the DIGISTEEL 355S, 425S, 505S.
2. Open the left side panel of the machine following the case cover removal procedure.
3. Perform the discharge procedure.
4. Locate the 3 phases input rectifier bridge. See **Figure1**
5. Using the 8mm nut driver label and remove the 3 AC input cables and the 2 output DC+ and DC- cables (**A**) from the 3 phases input rectifier bridge. See **Figure 1a**
6. Using PH02 screw driver remove the 2 screws (**B**) that fix the 3 phases input rectifier bridge to the heat sink. See **Figure 1a**
7. Carefully remove the 3 phases input rectifier bridge from the machine.

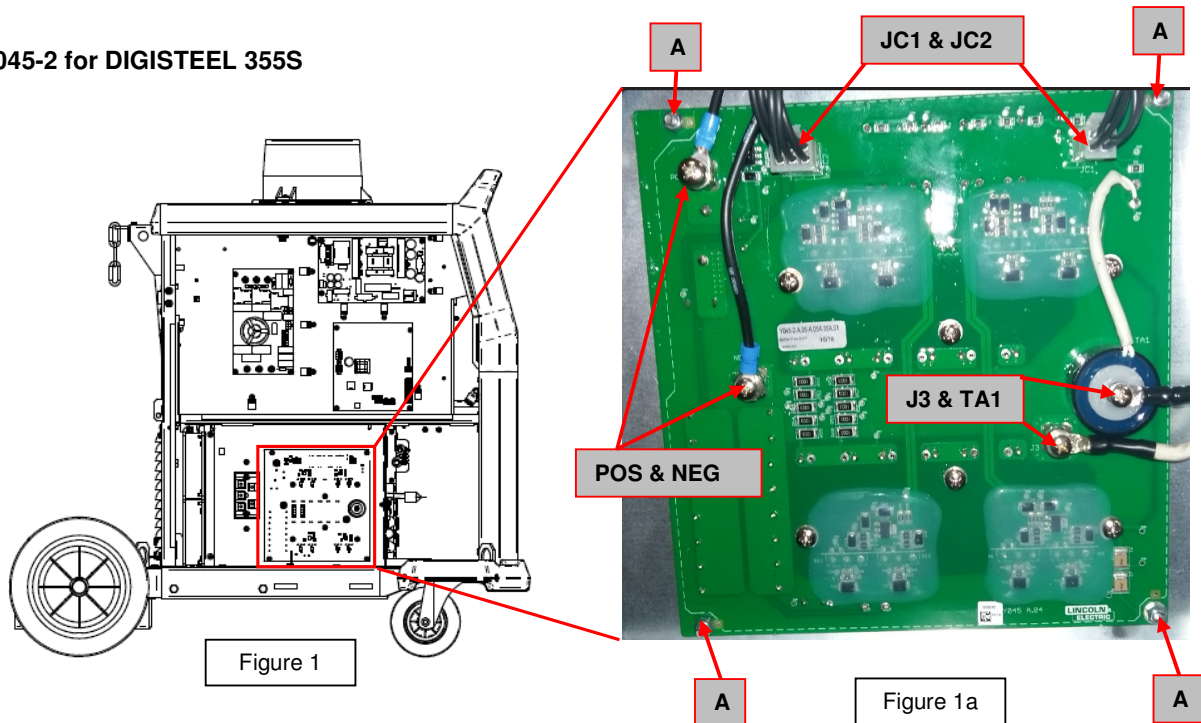
### REASSEMBLY PROCEDURE

1. Clean the heat sink mounting surface from the old thermal compound.
2. Apply a thin layer of new thermal compound (0,1-0,3mm) to the mating surfaces of the new input rectifier bridge (Dow Corning 340)
3. Assemble the new 3 phases input rectifier bridge to the heat sink using the 2 screws (**A**) previously removed (torque 3Nm max.)
4. Assemble the 3 AC input cables and the 2 output cables DC+ and DC- previously removed (torque 3,5Nm max.)

# DISASSEMBLY OPERATIONS

## INVERTER BOARD REMOVAL AND REPLACEMENT PROCEDURE

Y045-2 for DIGISTEEL 355S



### REMOVAL PROCEDURE

#### Necessary tools:

- 7mm nut driver
- PH02 screwdriver

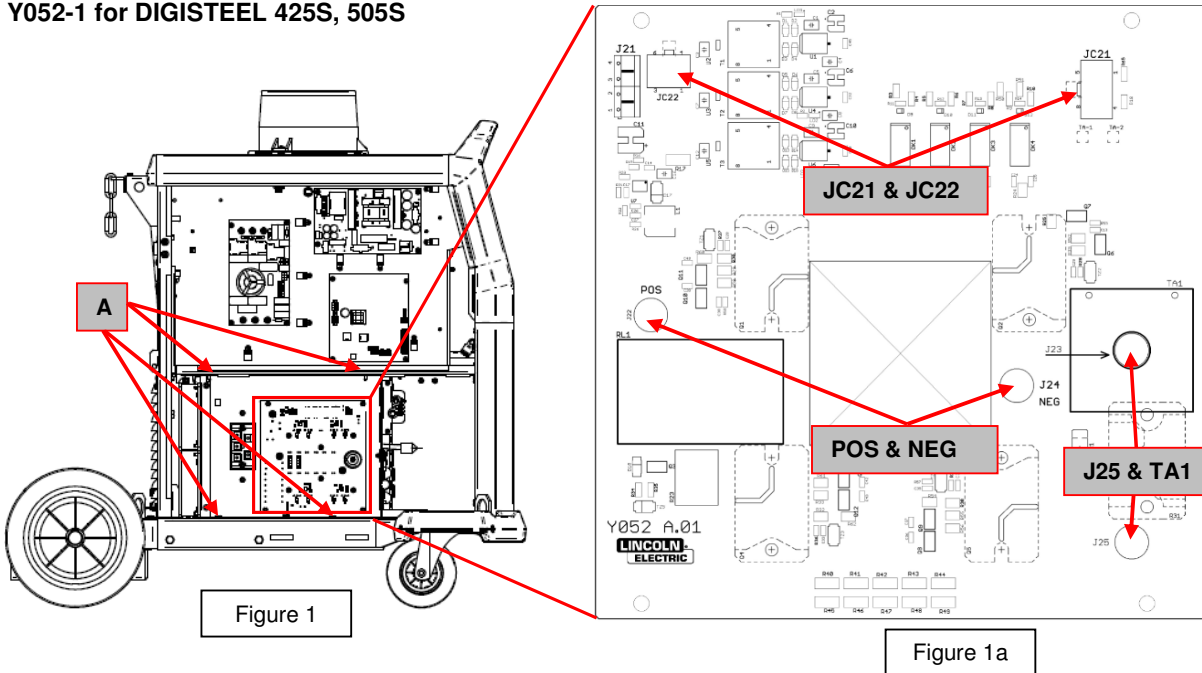
1. Remove main input power to the DIGISTEEL 355S.
2. Open the left side panel of the machine following the case cover removal procedure.
3. Perform the **Discharge procedure**
4. Locate the inverter board. See **Figure1**.
5. Using the PH02 screwdriver label and remove the cables from terminals **POS,NEG, J3** and **TA1**. See **Figure 1a**.
6. Remove the plugs from the connectors **JC1** and **JC2**. See **Figure1a**.
7. Using the 7mm nut driver remove the 4 nuts (**A**) that are fixing the inverter PCB to the machine. See **Figure 1a**.

**For the Inverter board re-assembly operations**, make the previous steps in the reverse order.

# DISASSEMBLY OPERATIONS

## INVERTER BOARD REMOVAL AND REPLACEMENT PROCEDURE

Y052-1 for DIGISTEEL 425S, 505S



## REMOVAL PROCEDURE

### Necessary tools:

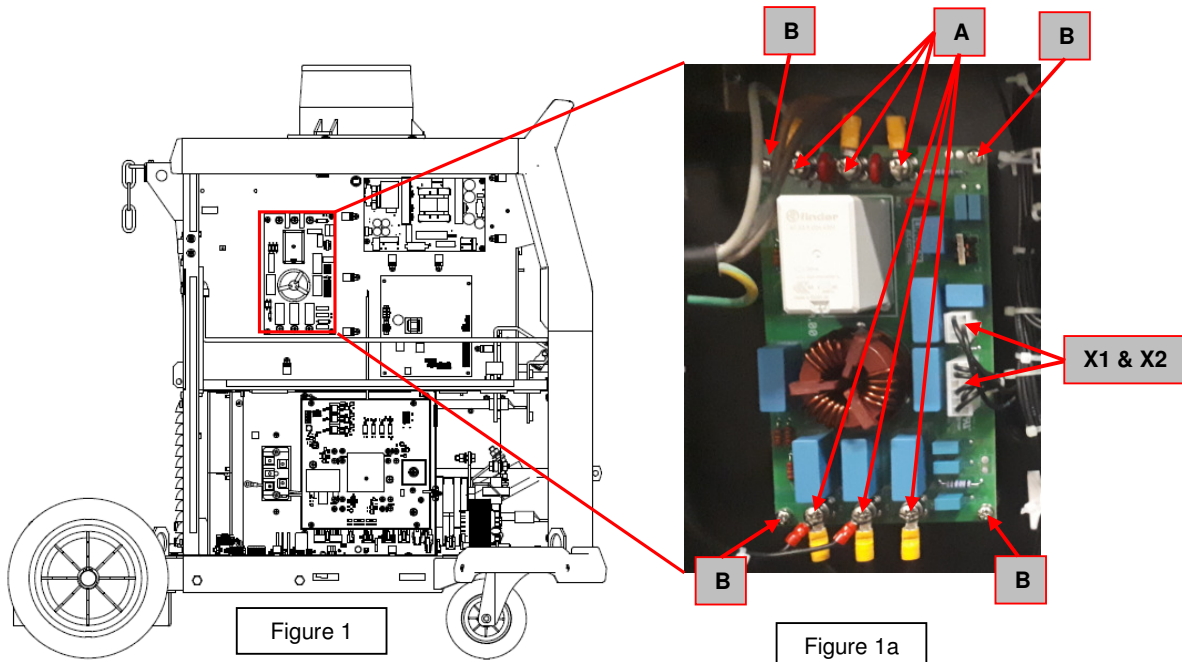
- Torx T25
- PH02 screwdriver

1. Remove main input power to the DIGISTEEL 425S, 505S.
2. Open the left side panel of the machine following the case cover removal procedure.
3. Perform the **Discharge procedure**
4. Locate the inverter board. See **Figure1**.
5. Using the PH02 screwdriver label and remove the cables from terminals **POS,NEG, J25** and **TA1**. See **Figure 1a**.
6. Remove the plugs from the connectors **JC21** and **JC22**. See **Figure1a**.
7. Remove the three phases cables that are connected to the input rectifier bridge.
8. Remove the fan assembly following the fan removal procedure descrobed into this service manual.
9. Using the T25 torx wrench remove the 4 screws (**A**) that are fixing the inverter PCB to the machine. See **Figure 1**.
10. Remove the complete inverter assembly.

**For the Inverter board re-assembly operations, make the previous steps in the reverse order.**

# DISASSEMBLY OPERATIONS

## EMI FILTER BOARD REMOVAL AND REPLACEMENT PROCEDURE



### REMOVAL PROCEDURE

#### Necessary tools:

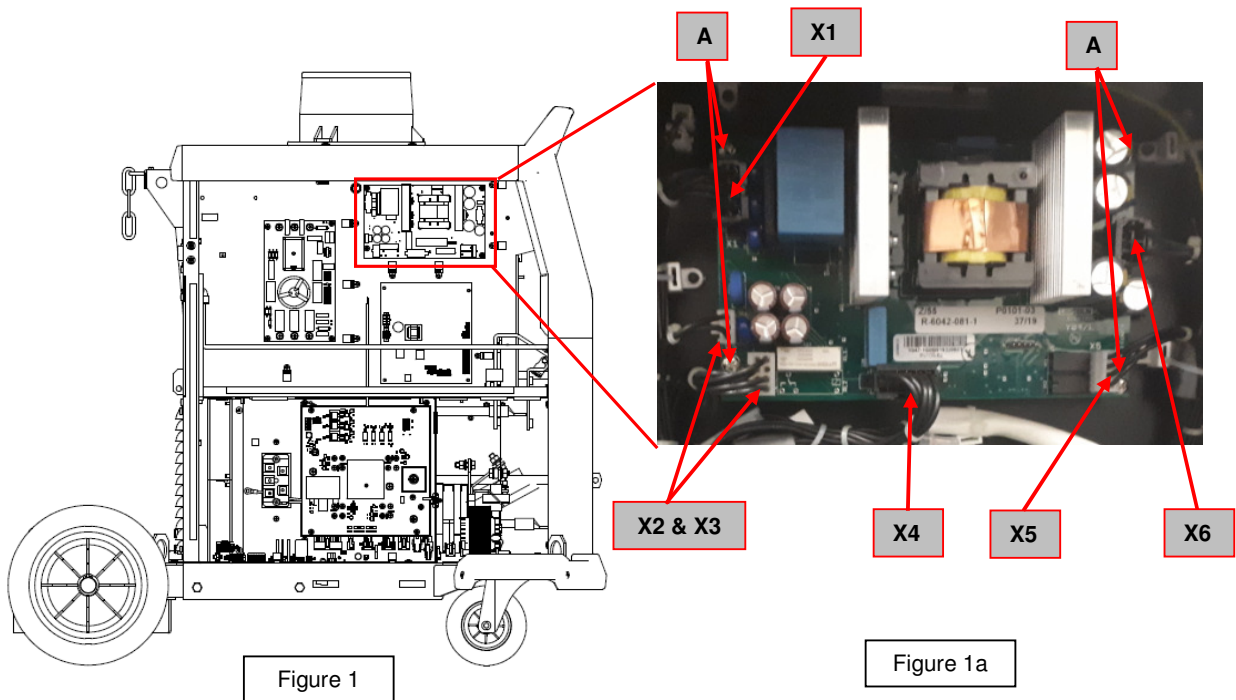
- PH02 screwdriver

1. Remove main input power to the DIGISTEEL 355S, 425S, 505S.
2. Open the left side panel of the machine following the case cover removal procedure.
3. Perform the **Discharge procedure**
4. Locate the EMI filter board. See **Figure1**.
5. Using the PH02 screwdriver remove the cables from the 6 terminals (**A**). See **Figure 1a**.
6. Remove the plugs from the connectors **X1 and X2**. See **Figure1a**.
7. Using the PH02 screwdriver remove the 4 screws (**B**) that are fixing the EMI filter PCB to the machine. See **Figure 1a**.

For the EMI filter board re-assembly operations, **make the previous steps in the reverse order**.

# DISASSEMBLY OPERATIONS

## VOLTAGE SUPPLY BOARD REMOVAL AND REPLACEMENT PROCEDURE



### REMOVAL PROCEDURE

#### Necessary tools:

- PH02 screwdriver

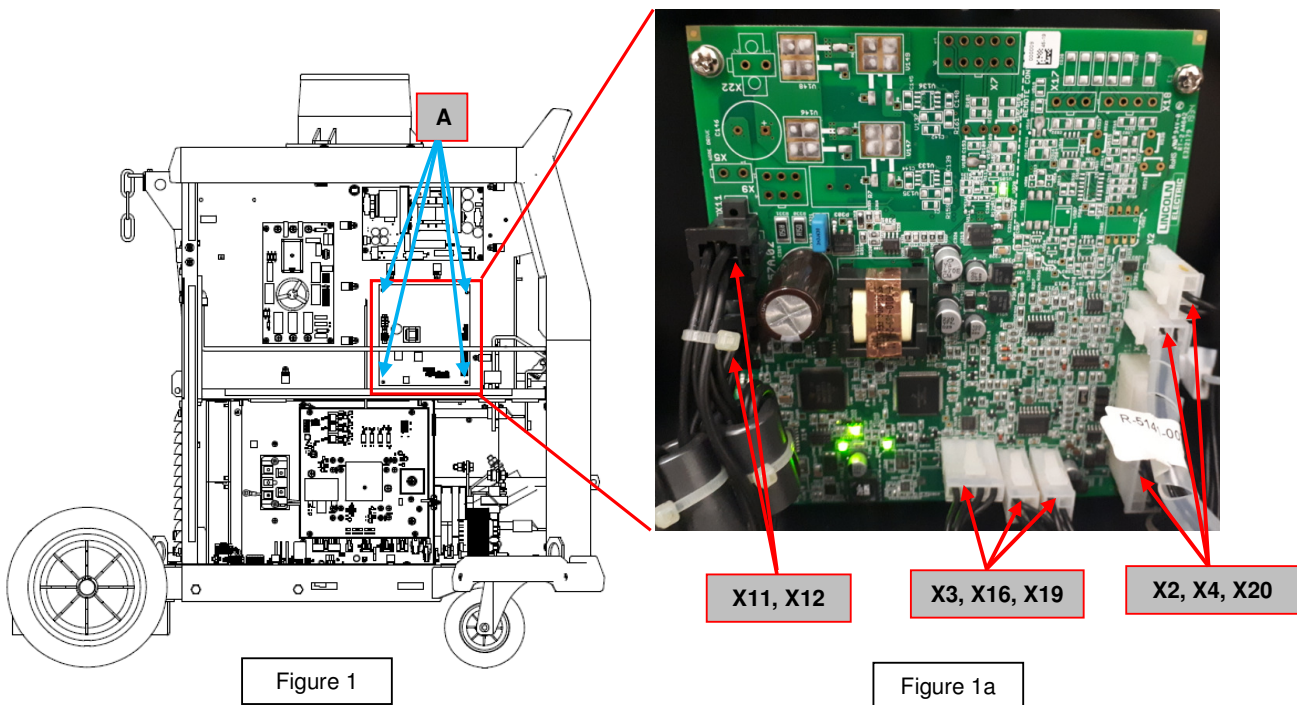
1. Remove main input power to the DIGISTEEL 355S, 425S, 505S.
2. Open the left side panel of the machine following the case cover removal procedure.
3. Perform the **Discharge procedure**
4. Locate the Voltage Supply board. See **Figure1**.
5. Remove the plugs from the connectors **X1,X2, X3, X4, X5 and X6**. See **Figure1a**.
6. Using the PH02 screwdriver remove the 4 screws (**A**) that are fixing the Voltage Supply PCB to the machine. See **Figure 1a**.

For the Voltage Supply board re-assembly operations, **make the previous steps in the reverse order.**



# DISASSEMBLY OPERATIONS

## CONTROL BOARD REMOVAL AND REPLACEMENT PROCEDURE



### REMOVAL PROCEDURE

#### Necessary tools:

- PH02 screwdriver

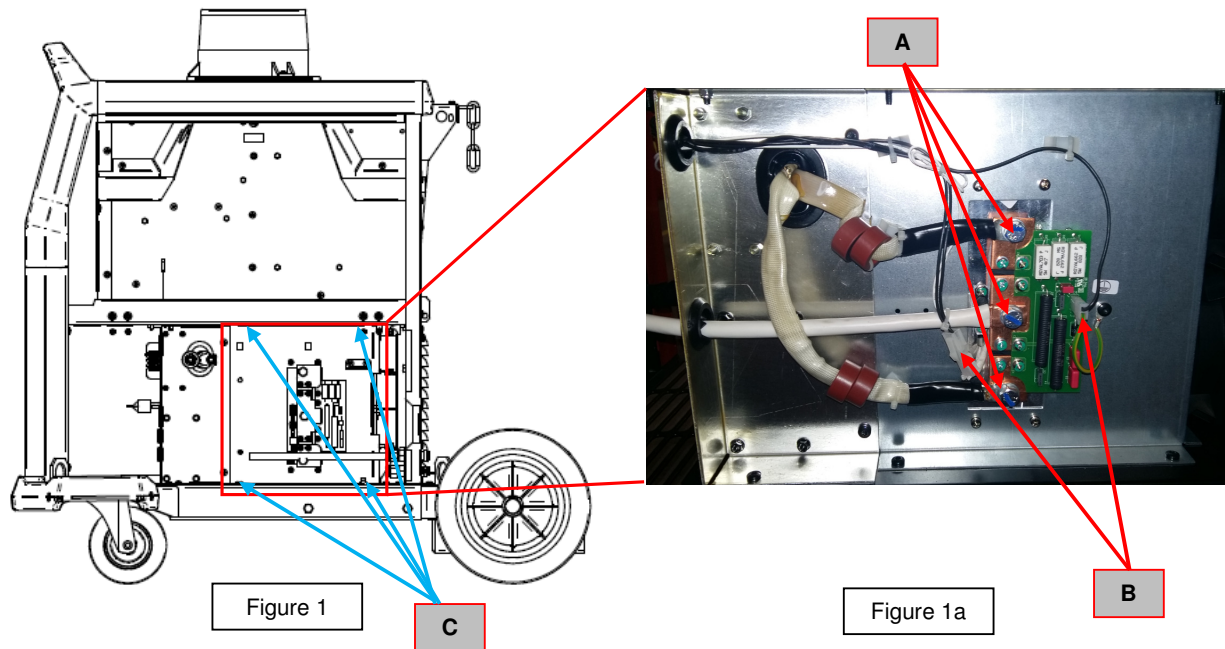
1. Remove main input power to the DIGISTEEL 355S, 425S, 505S.
2. Open the left side panel of the machine following the case cover removal procedure.
3. Perform the **Discharge procedure**
4. Locate the Control board. See **Figure1**.
5. Remove the plugs from the connectors **X2, X3, X4, X11,X12, X16, X19 and X20**. See **Figure1a**.
6. Using the PH02 screwdriver remove the 4 screws (**A**) that are fixing the Control PCB to the machine. See **Figure 1a**.

For the Control board re-assembly operations, **make the previous steps in the reverse order**.

# DISASSEMBLY OPERATIONS

## OUTPUT BRIDGE ASSEMBLY REMOVAL AND REPLACEMENT PROCEDURE

for DIGISTEEL 355S



## REMOVAL PROCEDURE

### Necessary tools:

- T25 Torx wrench
- 13 mm wrench

1. Remove main input power to the DIGISTEEL 355S.
2. Open the right side panel of the machine following the case cover removal procedure.
3. Perform the **Discharge procedure**
4. Locate the Output Rectifier assembly. See **Figure1**.
5. Using the 13mm wrench remove the three bolts (**A**). See **Figure1a**.
6. Disconnect the two connectors (**B**). See **Figure 1a**.
7. Using the TX25 wrench remove the 4 screws (**C**) that are fixing the output rectifier assembly to the machine. See **Figure 1**.

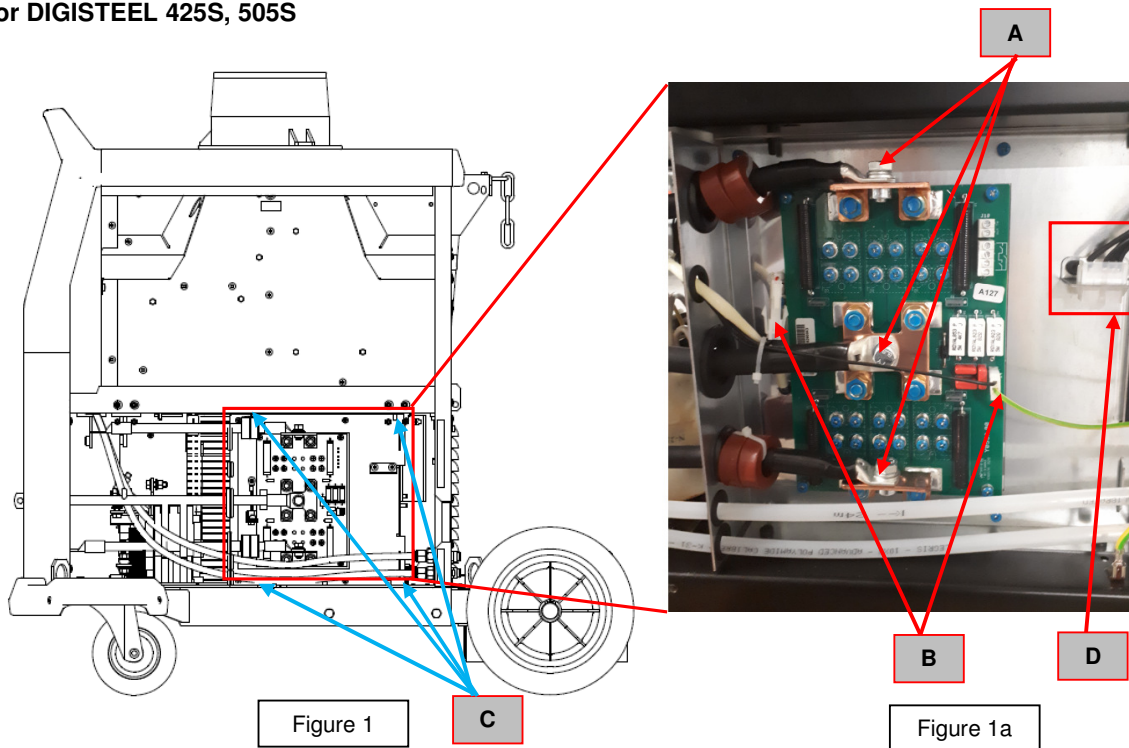
For the output rectifier assembly re-assembly operations, **make the previous steps in the reverse order.**



# DISASSEMBLY OPERATIONS

## OUTPUT BRIDGE ASSEMBLY REMOVAL AND REPLACEMENT PROCEDURE

for DIGISTEEL 425S, 505S



### REMOVAL PROCEDURE

#### Necessary tools:

- T25 Torx wrench
- 13 mm wrench

1. Remove main input power to the DIGISTEEL 425S, 505S.
  2. Open the right side panel of the machine following the case cover removal procedure.
  3. Perform the **Discharge procedure**
  4. Locate the Output Rectifier assembly. See **Figure1**.
  5. Using the 13mm wrench remove the three bolts (**A**). See **Figure1a**.
  6. Disconnect the two connectors (**B**). See **Figure 1a**.
  7. Remove the connector (**D**). See **Figure 1a**.
  8. Using the TX25 wrench remove the 4 screws (**C**) that are fixing the output rectifier assembly to the machine. See **Figure 1**.
- For the output rectifier assembly re-assembly operations, **make the previous steps in the reverse order**.

## RETEST AFTER REPAIR

---

Should a machine under test be rejected for any reason requiring the removal of any mechanical part that could affect the machine's electrical characteristics, or if any electrical components are repaired or replaced, the machine must be retested.

### Machine input and output

#### DIGISTEEL 355S, 425S, 505S

Model	Input Voltage	Input Current (A)	Rated Output in GMAW
DIGISTEEL 355S	400Vac/3ph/50Hz	21 max	350A@50%
DIGISTEEL 425S	400Vac/3ph/50Hz	27 max	420A@100%
DIGISTEEL 505S	400Vac/3ph/50Hz	34 max	500A@60%

Output current range GMAW - FCAW	
DIGISTEEL 355S	20 – 350 Amps
DIGISTEEL 425S	20 – 450 Amps
DIGISTEEL 505S	20 – 500 Amps

Output current range SMAW	
DIGISTEEL 355S	10 – 350 Amps
DIGISTEEL 425S	10 – 450 Amps
DIGISTEEL 505S	10 – 480 Amps

Maximum Open Circuit Voltage $U_{0 \text{ peak}}$	
DIGISTEEL 355S	54 Vdc
DIGISTEEL 425S - DIGISTEEL 505S	60 Vdc

### **IMPORTANT !**

After the repair, the unit shall be tested accordingly to the norm **EN60974-4**  
**Arc welding equipment "In-service inspection and testing"**

# CALIBRATION PROCEDURE

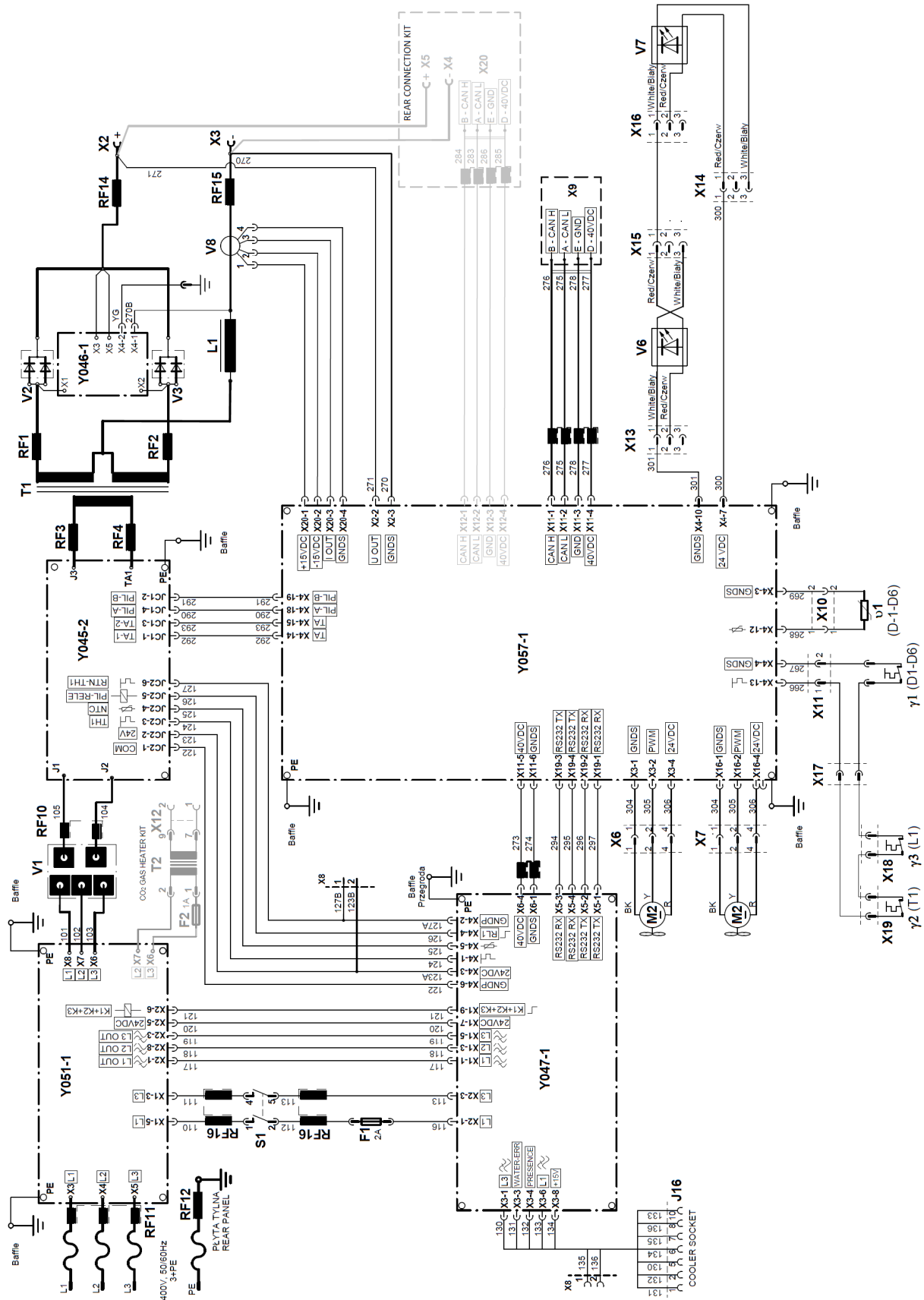
---

**This calibration has to be performed using the Feeder, either WF-52D or WF-56D, connected to the machine.**

1. Prepare the external reference ammeter (A) and voltmeter (V). Connect a load to output with A and V.
2. Enter to Service Mode: on the feeder, push the right button (WF 52D) or right encoder (WF 56D) and switch machine on. Release button after end starting.
3. General information: left encoder is used for switch output **on/off** (clockwise: **on**, counter-clockwise: **off**)
4. There are 3 service modes (selected by right encoder and accepted by pushing right button /right encoder/):
  - a) Selecting test modes (**tEst**)
  - b) Voltmeter calibration (**CAL U**)
  - c) Ammeter calibration (**CAL I**)
5. **tEst**: you can select test mode numbers below:
  - a) **200** (CC)
  - b) **201** (CV)
  - c) **202** (CP)
  - d) **212**
6. **CAL U**: you can follow procedure:
  - a) Left display shows **rEF <-> oFF**
  - b) Switch the output on: display shows **rEF <-> on**
  - c) Set reference voltage to ca. 25,0V/200A on external meter by turning right encoder and adjusting load
  - d) Confirm the setting by pushing the right button (right encoder) – machine is switching off
  - e) Switch the output on: display shows **SEt <-> on**
  - f) Set voltmeter value (on right display) to ca. 25,0V by turning right encoder. **WARNING**: be sure that the setting value is the same as the external reference voltmeter value.
  - g) Confirm the setting value by pushing the right button (right encoder) – machine is switching off
  - h) After that machine goes into the service modes selection (point 4)
7. **CAL I**: you can follow procedure:
  - a) Left display shows **rEF <-> oFF**
  - b) Switch the output on: display shows **rEF <-> on**
  - c) Set reference current to ca. 25,0V/200A on external meter by turning right encoder and adjusting load
  - d) Confirm the setting by pushing the right button (right encoder) – machine is switching off
  - e) Switch the output on: display shows **SEt <-> on**
  - f) Set ammeter value (on right display) to ca. 200A by turning right encoder. **WARNING**: be sure that the setting value is the same as the external reference ammeter value
  - g) Confirm the setting value by pushing the right button (right encoder) – machine is switching off
  - h) After that machine goes into the service modes selection (point 4)
8. Exit from Service Mode: switch machine off.

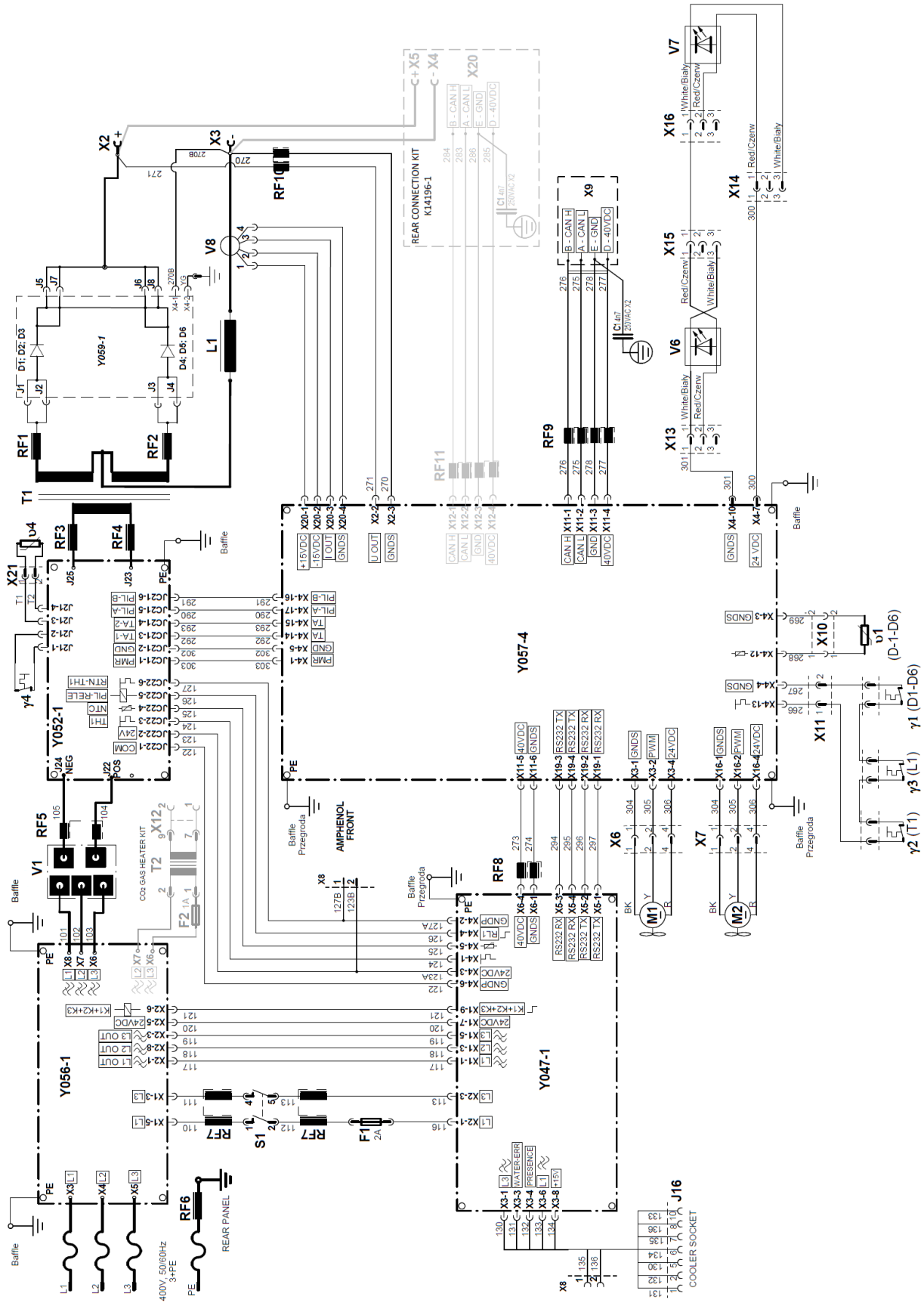
# ELECTRICAL SCHEMATICS

## Block Diagram: DIGISTEEL 355S



# ELECTRICAL SCHEMATICS

## Block Diagram: DIGISTEEL 425S and 505S



**NOTE**

---