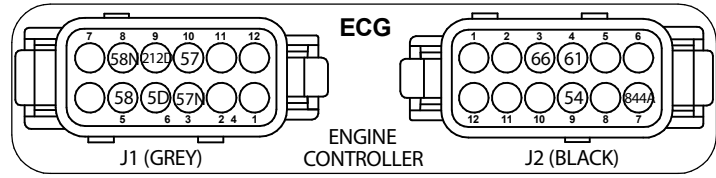


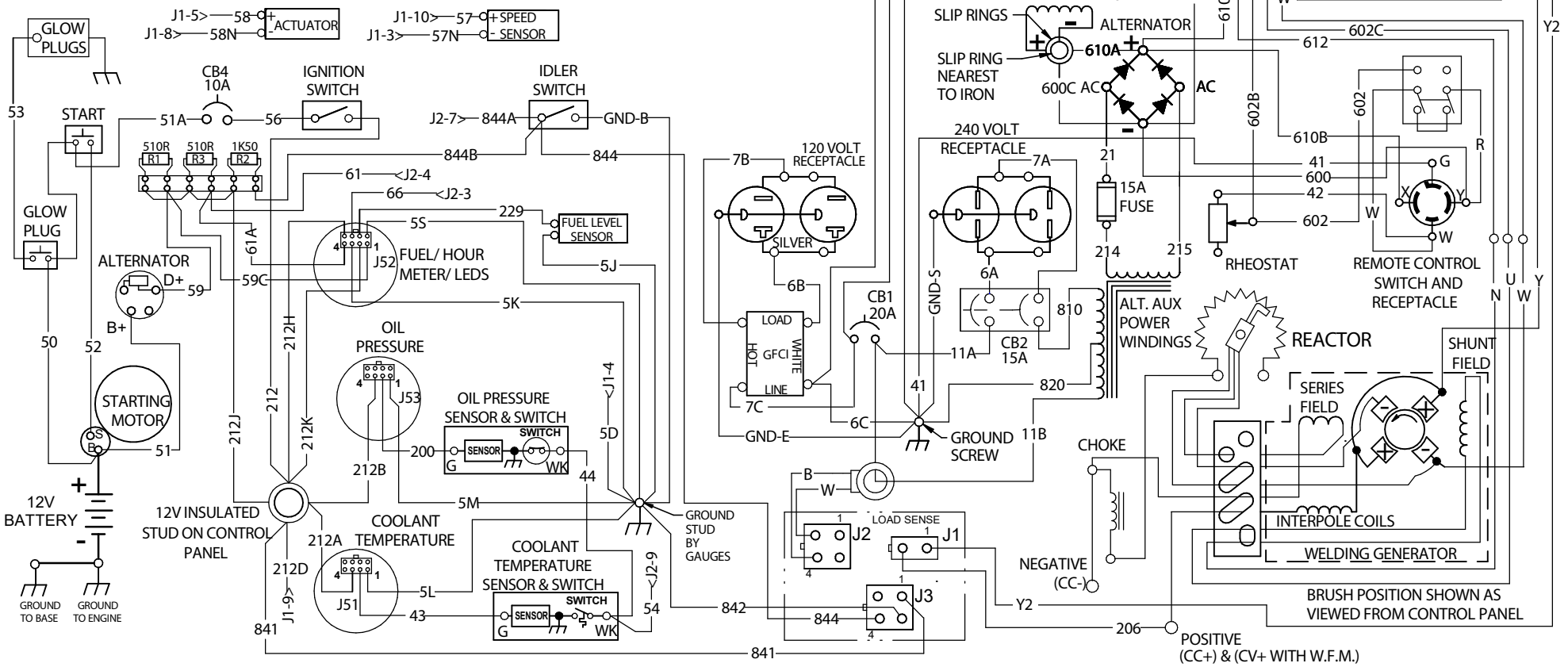
SAE 300 WIRING DIAGRAM M26160 REV:B



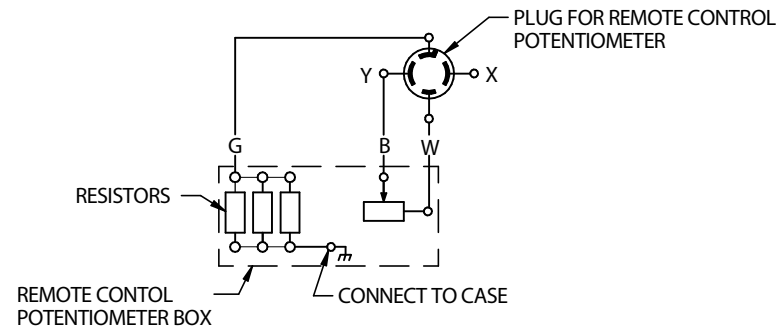
* CONTROL PANEL COMPONENTS SHOWN AS VIEWED FROM REAR.
LEADS CONNECTED TO ENGINE IDLER/ENGINE P.C. BOARD SEE DETAIL

LEAD COLOR CODE	
B-BLACK OR GRAY	R-RED OR PINK
G-GREEN	U-BLUE
N-BROWN	W-WHITE
	Y-YELLOW

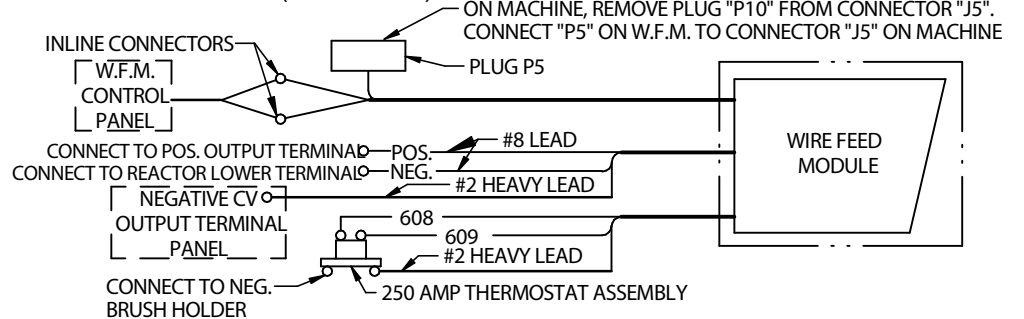
NEUTRAL BONDED TO FRAME.
NEUTRE RACCORDE AU BATI.



REMOTE CONTROL (OPTIONAL)



WIRE FEED MODULE (OPTIONAL)



MACHINE MUST NOT BE RUNNING WHEN MAKING THESE CONNECTIONS.

