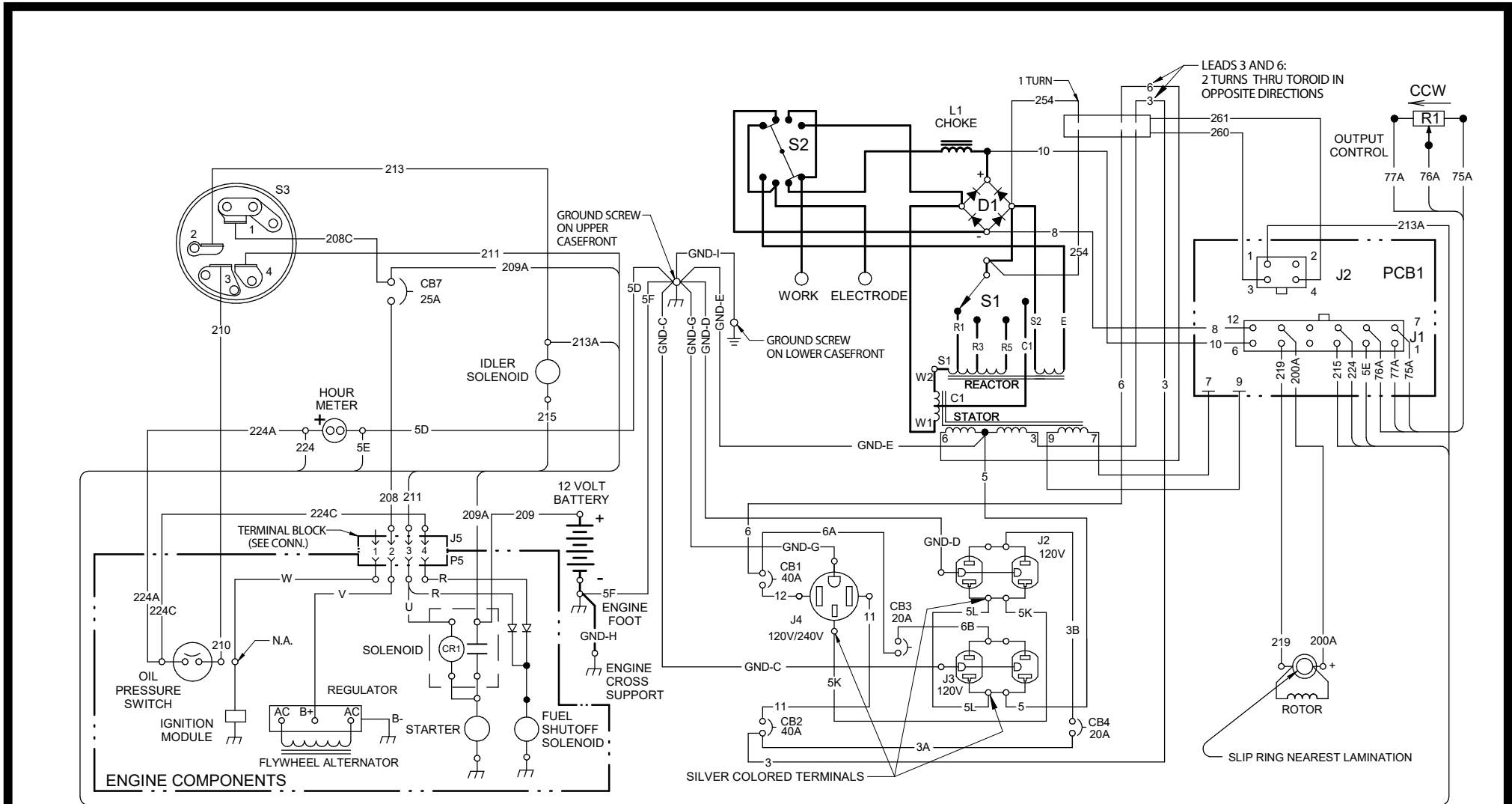


# RANGER 10,000 & WELDMARK WIRING DIAGRAM M20431 REV: C

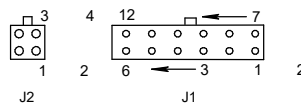


N.A. GROUNDING THIS TERMINAL STOPS THE ENGINE.

**LEAD COLOR CODE:**

B = BLACK OR GRAY    U = BLUE  
 R = RED OR PINK    V = VIOLET  
 W = WHITE

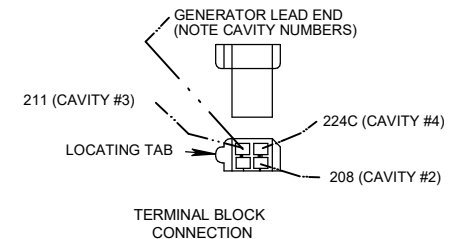
**CONNECTOR PIN NUMBERS:**



**S3 OPERATION**

	1	2	3	4
OFF				
AUTO	X	X	X	
HIGH	X		X	
START	X		X	X

X = CLOSED CIRCUIT



ALL CASE FRONT COMPONENTS SHOWN VIEWED FROM REAR.



CLEVELAND, OHIO U.S.A.