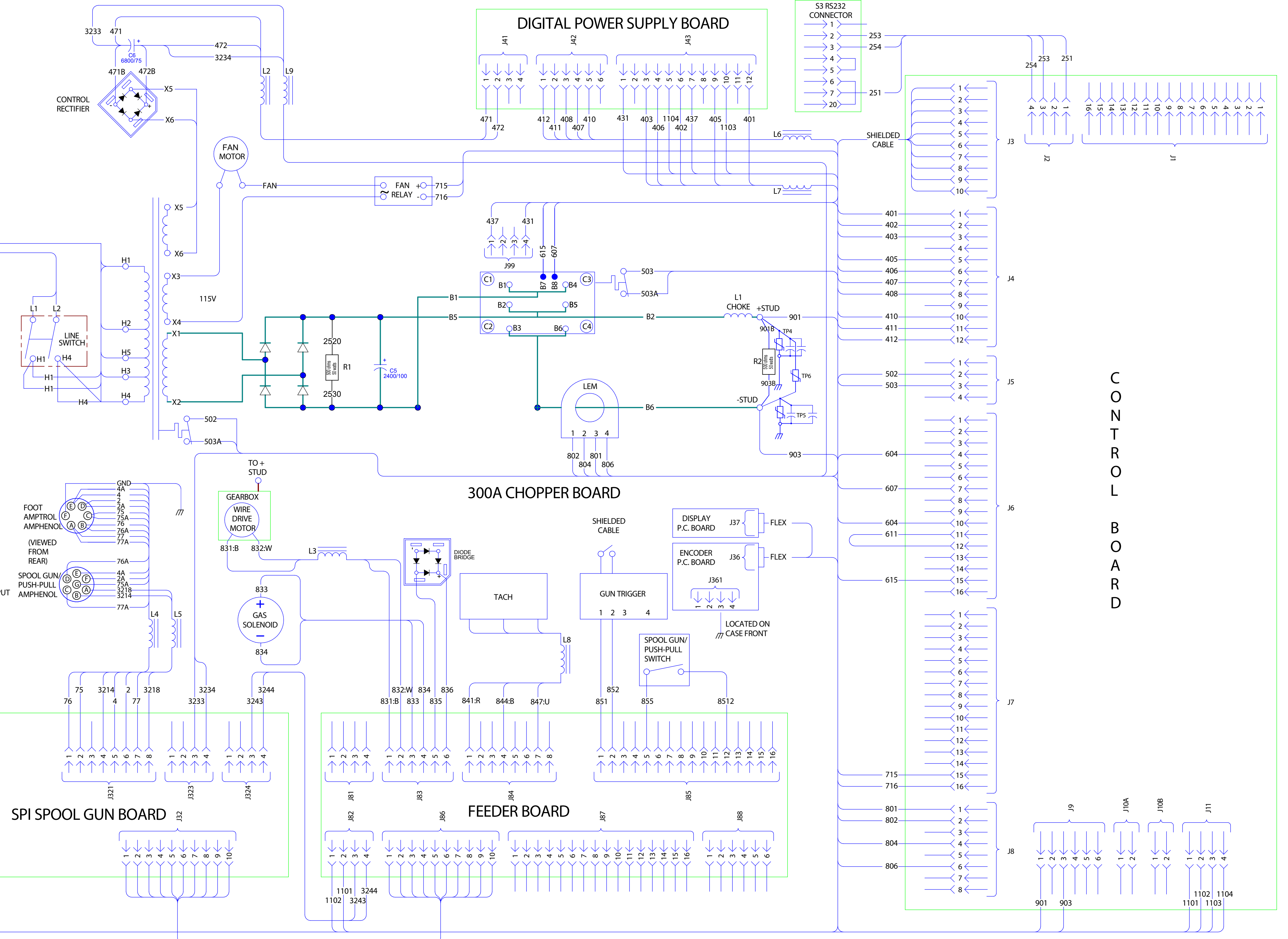
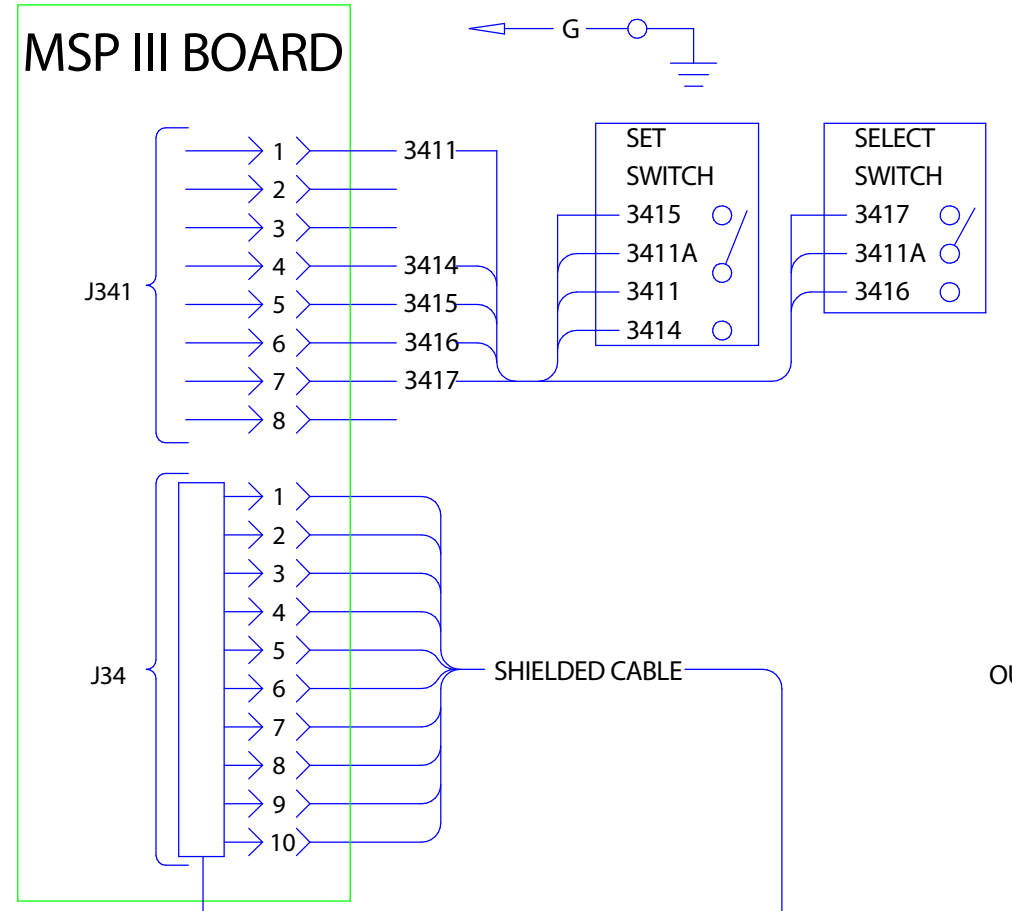
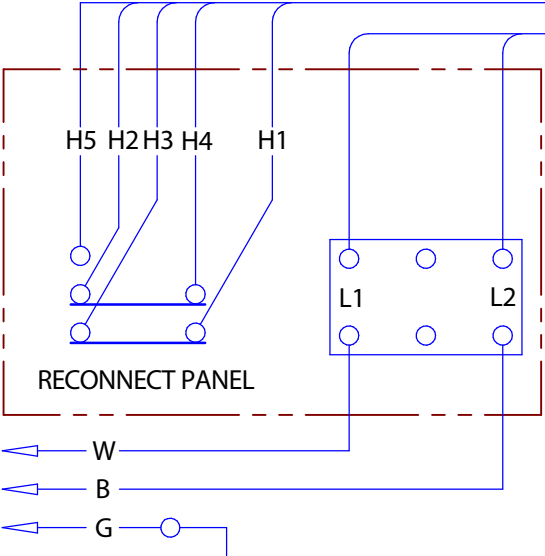
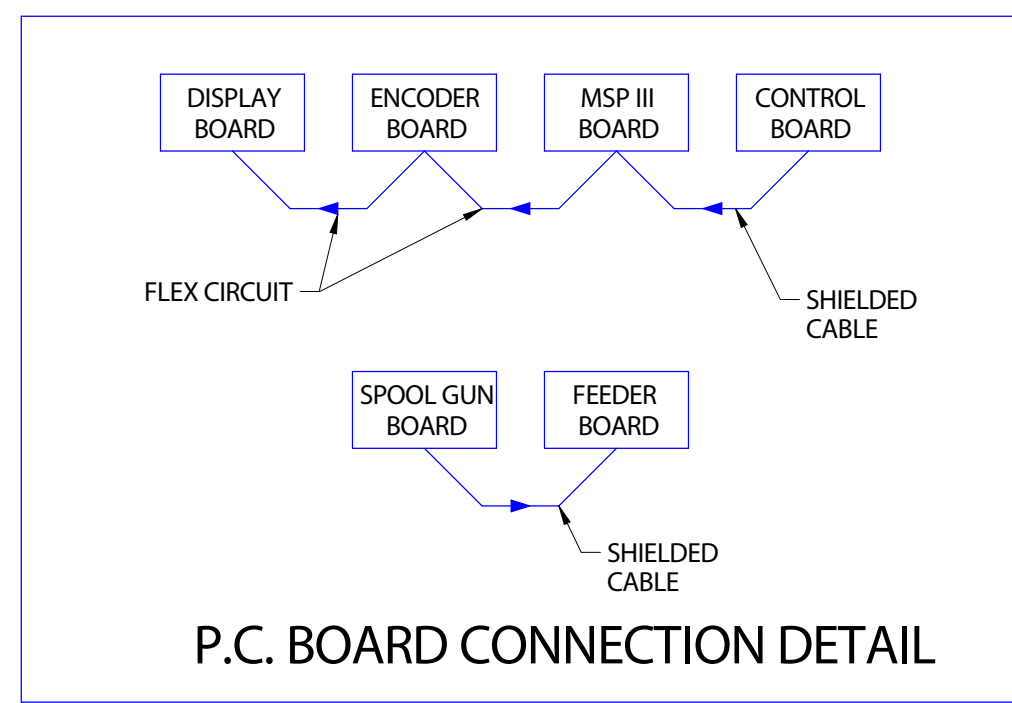


POWER MIG 300 WIRING DIAGRAM G3852 REV: G



LEAD COLOR CODE:
 B=BLACK OR GRAY
 R=RED OR PINK
 W=WHITE
 G=GREEN (W/YELLOW STRIPE)

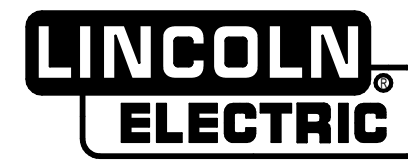
CONNECTOR CAVITY NUMBERING SEQUENCE (VIEWED FROM COMPONENT SIDE OF BOARD)

L2 THRU L9 ARE RF CHOKES

ALL CASE FRONT COMPONENTS SHOWN VIEWED FROM REAR.

PANEL RECEPTACLE CAVITY NUMBERING SEQUENCE (VIEWED FROM LEAD SIDE OF RECEPTACLE)

9 PIN J50, 9 PIN P50



CLEVELAND, OHIO U.S.A.