

MODEL 847

PIPELINE REGULATOR



Model shown:
847-50-L

KEY FEATURES

- High flow and outlet pressure (up to 15 bar) line regulator
- Forged brass body for maximum strength
- Sintered alloy inlet filter to trap impurities
- Maximum inlet pressure 25 bar
- 15 lpm, 30 lpm and 50 lpm versions with single or double flowmeter available for argon and CO₂
- One-piece encapsulated seat design with internal filter and PTFE (Teflon®*) seat
- 7 year warranty

Applications »

- Specially designed to allow high flow rate from industrial and laboratory pipeline points.
- Particularly suited to machine cutting where more than one torch is used.
- Also perfect for heavy cutting and heating.



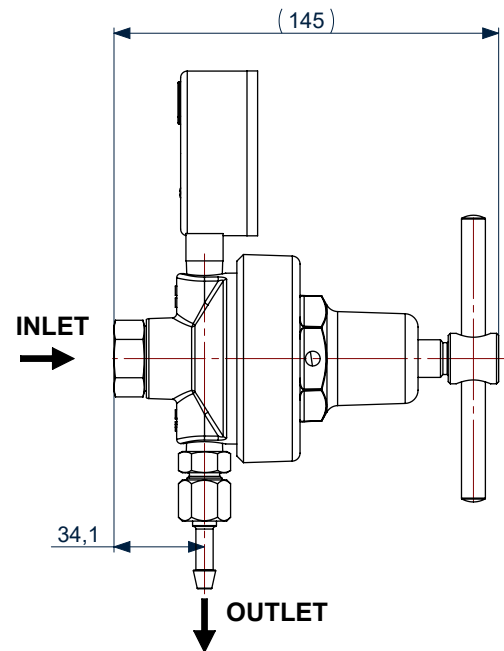
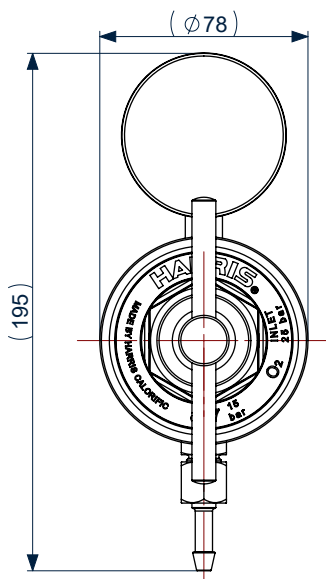
TECHNICAL DATA

Gauges	63 mm
Maximum Inlet Pressure [bar]	25
Maximum Delivery Pressure [bar]	15

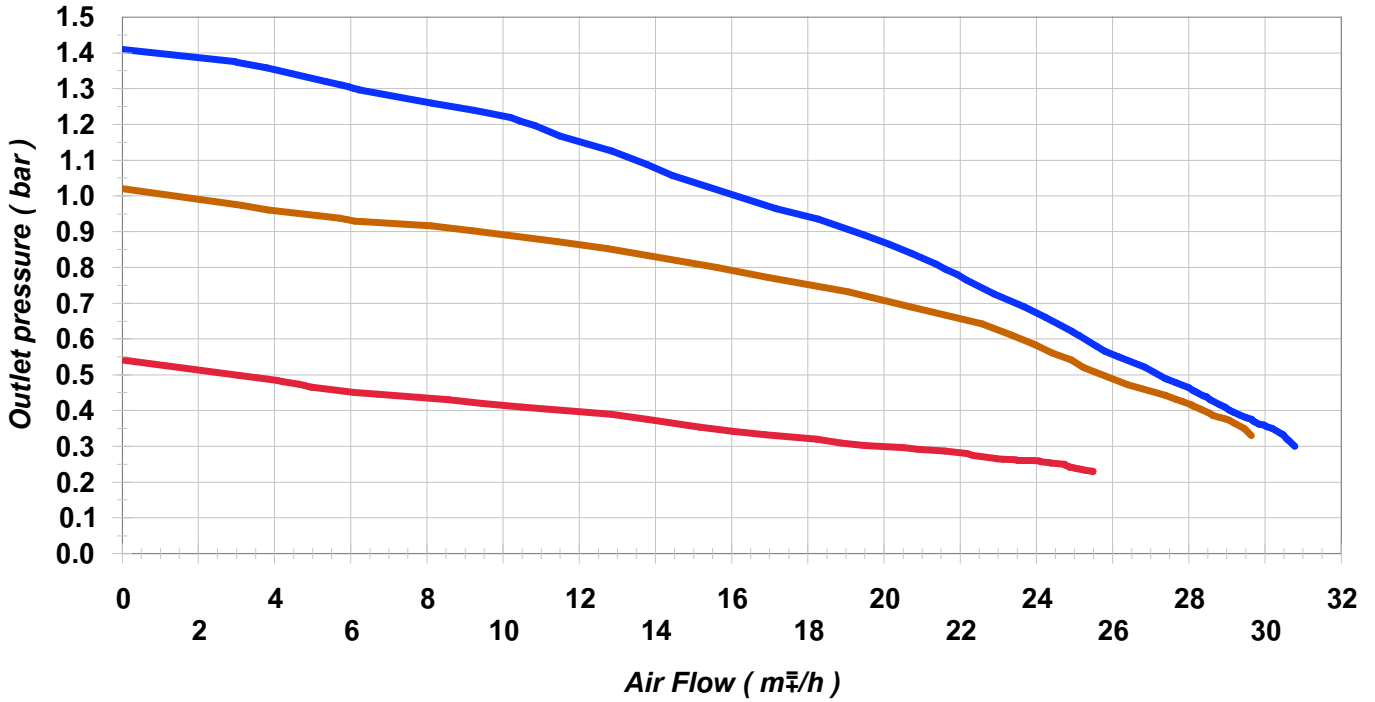
MATERIALS

Body	Brass
Bonnet	Chrome plated Zinc-Aluminium Alloy
Diaphragm (regulator)	Neoprene rubber
Nozzle	Brass
Seals	Neoprene
Filter	Stainless Steel AISI 316
Adjusting Knob	ABS plastic / Stainless steel T-bar

TECHNICAL DRAWINGS

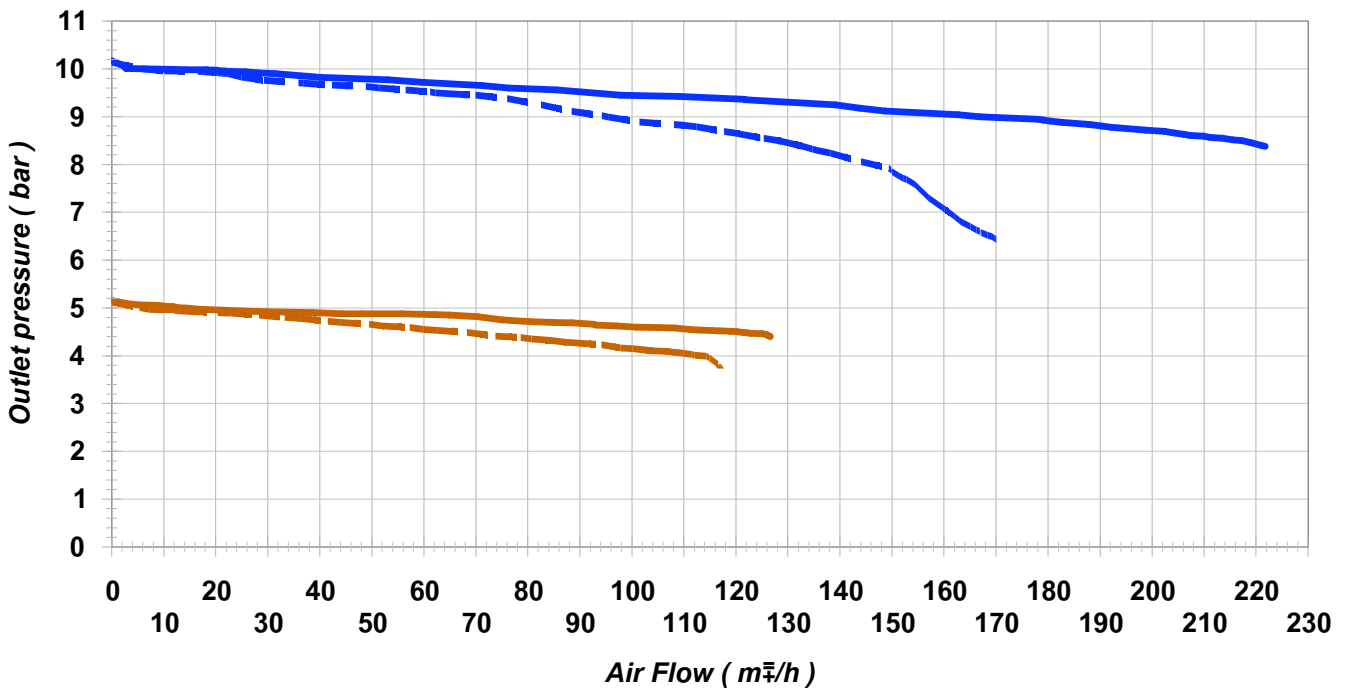


REGULATOR FLOW CURVE
847 1.5 bar AC



— Inlet pressure
1.5 bar steady

REGULATOR FLOW CURVE
847 10 bar



— Inlet pressure 25 bar steady - - - Inlet pressure 15 bar steady

PRODUCT CONFIGURATION

REG, 847

TYPE CODE (Only if non-standard)	
-	Horizontal entry (standard)
V	Placed in Kit
E	Vertical entry
A	Anti vibrator (lightweight gases)
D	IRV Diaphragm safety relief valve
R	External safety relief valve
S	Stainless steel diaphragm
B	Black-painted gauges
P	Without HP gauge
N	1/4" NPT gauge (std is 1/4" G)
G	Inlet connection 3/8"
W	Outlet valve (when not standard)
T	With lock "T" screw
X	With inlet stem valve "SNAP SAFE"

DELIVERY PRESSURE	
1,5	1,5 bar
4	4 bar
10	10 bar
15	15 bar

CALIBRATION	
-	Pressure gauges calibrated bar or kPa
L	Flow gauge or indicator calibrated (lpm)
F	Flowmeter (lpm)
LK	Flow gauge or indicator in (lpm), Pressure gauge in kPa
FK	Flowmeter in (lpm), Pressure gauge in kPa

GAS	
OX	Oxygen
AIR	Air
AR	Argon
CD	Carbon Dioxide
N	Nitrogen
H	Hydrogen
HE	Helium
M	Methane
AC	Acetylene
LP	Propane

PROGRESSIVE NUMBER PERSONALIZES	
xxx	

When placing an order, use the code generated according to the table.

REG,847 | N | 10 | - | OX | 924

NOTES

CUSTOMER ASSISTANCE POLICY

The business of Lincoln Electric is manufacturing and selling high quality welding equipment, automated welding systems, consumables, and cutting equipment. Our challenge is to meet the needs of our customers, who are experts in their fields, and to exceed their expectations. On occasion, purchasers may ask Lincoln Electric for information or technical information about their use of our products. Our employees respond to inquiries to the best of their ability based on information and specifications provided to them by the customers and the knowledge they may have concerning the application. Our employees, however, are not in a position to verify the information provided or to evaluate the engineering requirements for the particular weldment, or to provide engineering advice in relation to a specific situation. Accordingly, Lincoln Electric does not warrant or guarantee or assume any liability with respect to such information or communications. Moreover, the provision of such information or technical information does not create, expand, or alter any warranty on our products. Any express or implied warranty that might arise from the information or technical information, including any implied warranty of merchantability or any warranty of fitness for any customers' particular purpose or any other equivalent or similar warranty is specifically disclaimed.

Lincoln Electric is a responsive manufacturer, but the definition of specifications, and the selection and use of specific products sold by Lincoln Electric is solely within the control of, and remains the sole responsibility of the customer. Many variables beyond the control of Lincoln Electric affect the results obtained in applying these types of fabrication methods and service requirements.



Contact Harris for pricing and custom configurations
 +48 74 646 23 52
 marketingharris@lincolnelectric.eu

Harris Products Group
 ul. Strefowa 8, 58-200 Dzierzoniow, Poland
 www.harrisproductsgroup.eu