

ANNEX™ SKYHOOK

AUTOMATED POSITIONERS



Renders are for reference only

ANNEX SKYHOOK PART POSITIONER

Adaptable to a wide range of processes including welding, laser, material handling, grinding, and cutting, the Lincoln Electric Automation™ ANNEX™ robotic part positioners provide customers with an unparalleled user-friendly experience for all of their robotic positioning needs. Customers are able to use the positioner either robotically or servo-controlled. The Annex Skyhook positioner offers two degrees of motion to help weld in the optimal position.

KEY FEATURES

- Nabtesco® gearboxes
- Slewing ring bearings
- Leveling bolts with anchor provisions

BENEFITS

- Easy integration with most major robot manufacturers including FANUC®, ABB®, Yaskawa®, KUKA®, and Kawasaki®
- Helps improve the accuracy and repeatability of manufacturing processes with robotics
- Helps improve safety and operator efficiency with innovative programming
- Input/output capable for tooling functions and sensors
- Allows operator to access both sides of the positioners

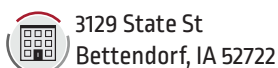
OPTIONS AVAILABLE

- Workspace guarding
- Touch panel operator controls
- Custom tooling and operation screens
- Safety scanners and light curtains
- Position and logic programming
- Tooling integration
- Custom paint specifications

INDUSTRY

- Heavy Fabrication
- General Fabrication
- Automotive/Transportation

CONTACT LINCOLN ELECTRIC AUTOMATION - BETTENDORF



3129 State St
Bettendorf, IA 52722



+1 [563] 355-4812



sales_bettendorf@lincolnelectric.com

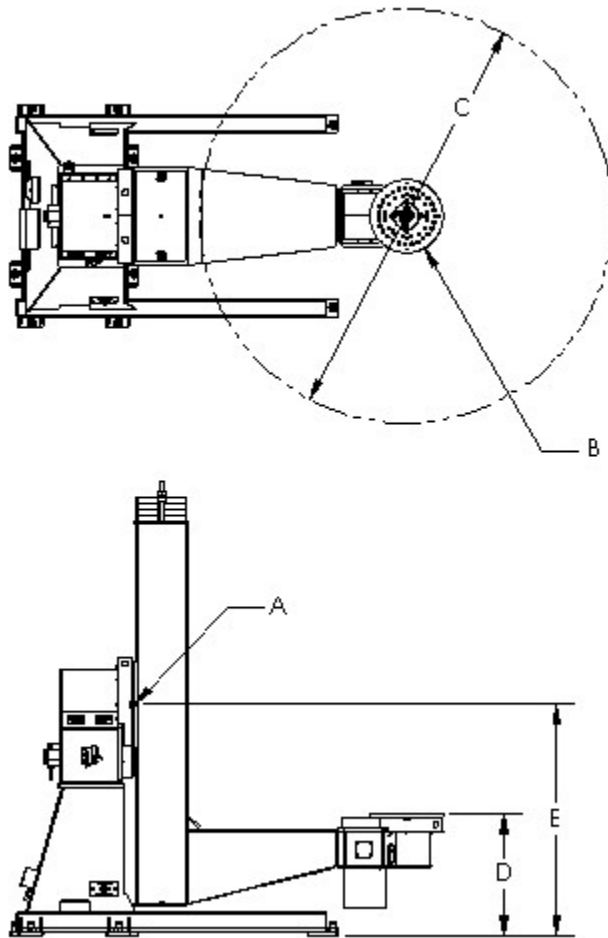


www.lincolnelectric.com
www.vizient.com

Publication LEA-102023JT1-01

© Lincoln Global Inc. All rights reserved. All trademarks and registered trademarks are the property of their respective owners.
www.lincolnelectric.com/automation





PRODUCT SPECIFICATIONS

Product Number	Model	Maximum Payload	Rated Major Axis Speed (A)	Rated Minor Axis Speed (B)	Minor Axis Swing Diameter (C)	Platter Height (D)	Major Axis Height (E)
AD2527	Skyhook 10	1,000 kg	70 deg/sec	70 deg/sec	Up to 1,600 mm	1,066 mm	1,220 mm
	Skyhook 15	1,500 kg	30 deg/sec	70 deg/sec	Up to 2,500 mm	700 mm	1,100 mm - 1,700 mm
	Skyhook 30	3,000 kg	20 deg/sec	40 deg/sec	Up to 4,000 mm	850 mm	1,300 mm - 1,800 mm
	Skyhook 50	5,000 kg	20 deg/sec	30 deg/sec	Up to 3,000 mm	1,000 mm	1,500 mm - 2,000 mm
Custom	Based on Customer Specifications						

Important Note: Changes from recommended motor sizing, payload, duty cycles, cable routing, weld grounding (if applicable), other system specifications (i.e. servo parameters, controller stop parameter), and/or modifications may affect cycle times and overall performance. User assumes all responsibility for proper rigging, installation, and machine setting alignments of product(s). Manufacturer's warranty is void to the extent any failure caused by improper installation, modification, or operation by customer.

CUSTOMER ASSISTANCE POLICY

The business of Lincoln Electric is manufacturing and selling high quality welding equipment, automated welding systems, consumables, and cutting equipment. Our challenge is to meet the needs of our customers, who are experts in their fields, and to exceed their expectations. On occasion, purchasers may ask Lincoln Electric for information or technical information about their use of our products. Our employees respond to inquiries to the best of their ability based on information and specifications provided to them by the customers and the knowledge they may have concerning the application. Our employees, however, are not in a position to verify the information provided or to evaluate the engineering requirements for the particular weldment, or to provide engineering advice in relation to a specific situation or application. Accordingly, Lincoln Electric does not warrant or guarantee or assume any liability with respect to such information or communications. Moreover, the provision of such information or technical information does not create, expand, or alter any warranty on our products. Any express or implied warranty that might arise from the information or technical information, including any implied warranty of merchantability or any warranty of fitness for any customers' particular purpose or any other equivalent or similar warranty is specifically disclaimed.

Lincoln Electric is a responsive manufacturer, but the definition of specifications, and the selection and use of specific products sold by Lincoln Electric is solely within the control of, and remains the sole responsibility of the customer. Many variables beyond the control of Lincoln Electric affect the results obtained in applying these types of fabrication methods and service requirements.