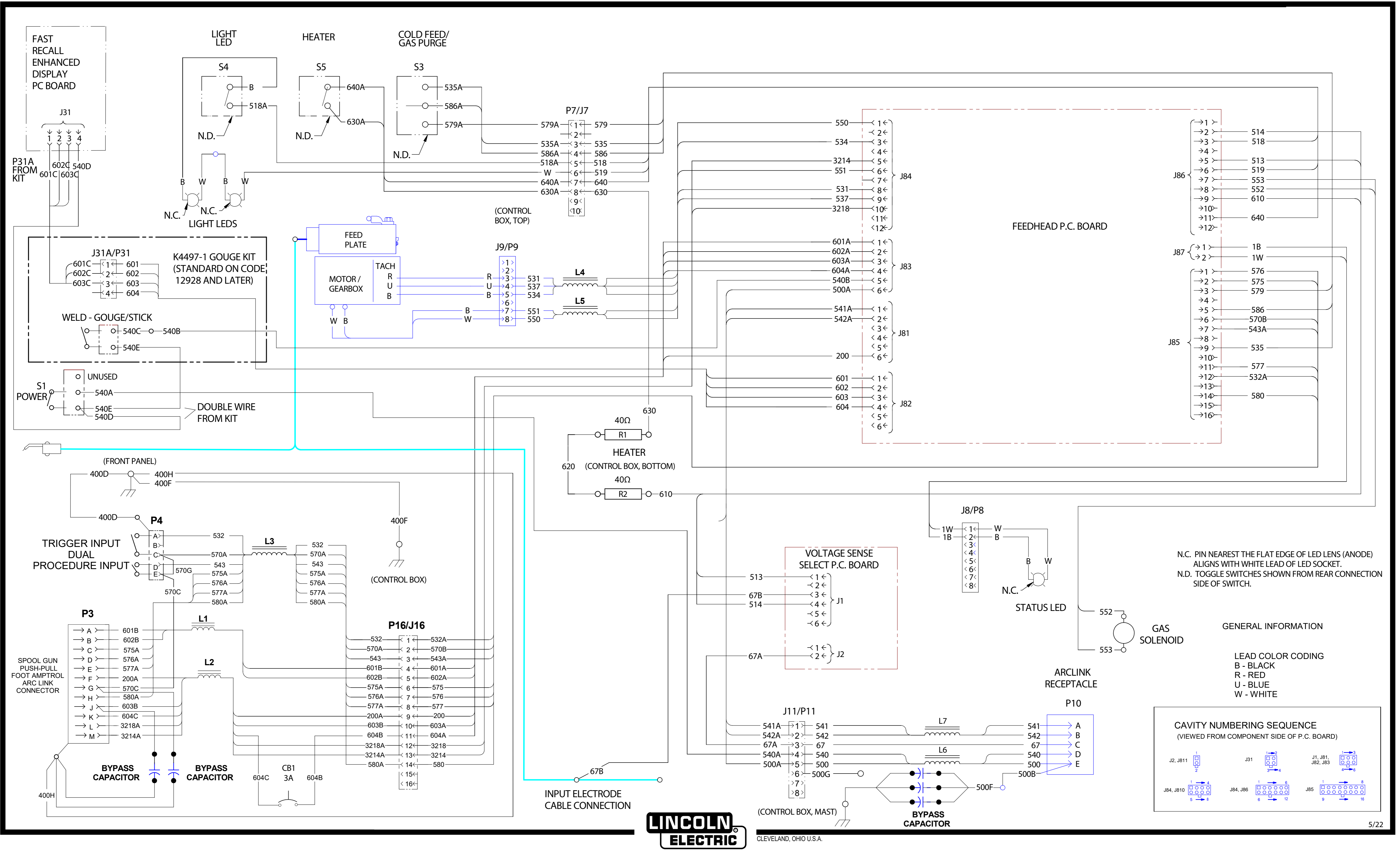


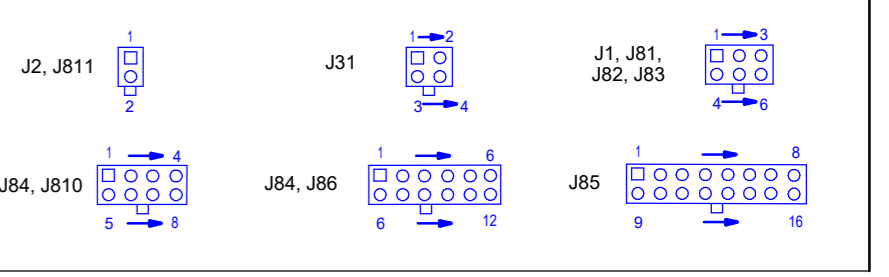
POWER FEED 25M (12928 AND ABOVE) MACHINE SCHEMATIC G5585-7 REV: B



GENERAL INFORMATION

LEAD COLOR CODING
 B - BLACK
 R - RED
 U - BLUE
 W - WHITE

CAVITY NUMBERING SEQUENCE (VIEWED FROM COMPONENT SIDE OF P.C. BOARD)



CLEVELAND, OHIO U.S.A.