

# LEGEND

- COMPONENTS NOT ON P.C. BOARDS**
- R1 10K/2W POTENTIOMETER (380 A/250V (ON R3R-300)
  - R2 10K/2W POTENTIOMETER (SCR1, SCR2, SCR3) (470A/250V (ON R3R-400)
  - R3 40/100W SHUNT (470A/250V (ON R3R-500)
  - CR1 LINE CONTACTOR
  - SW1 ON-OFF SWITCH (400A (ON R3R-300)
  - SW2 MACHINE-REMOTE SWITCH (600A (ON R3R-400)
  - SW3 RANGE SWITCH (N.A.) (800A (ON R3R-500)
  - T1 WELDING TRANSFORMER
  - T2 PILOT TRANSFORMER (DI THRU D4 400A/300V)

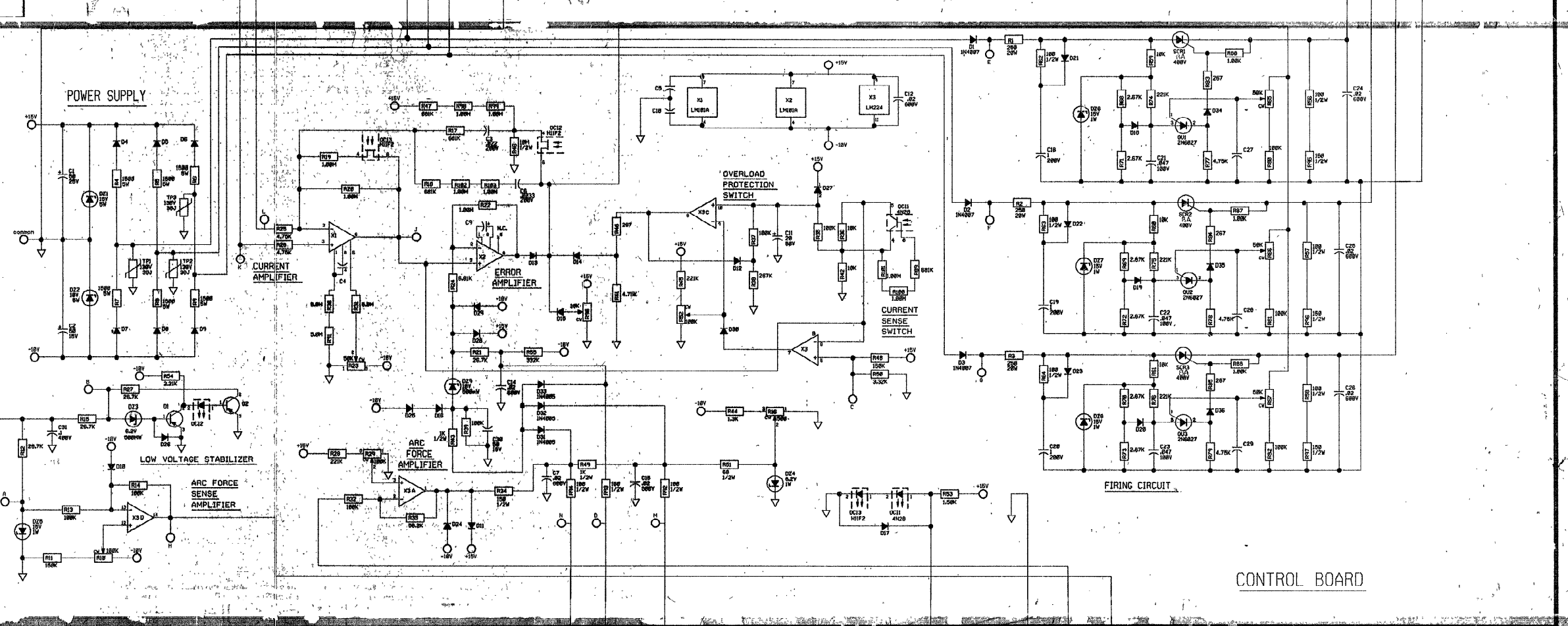
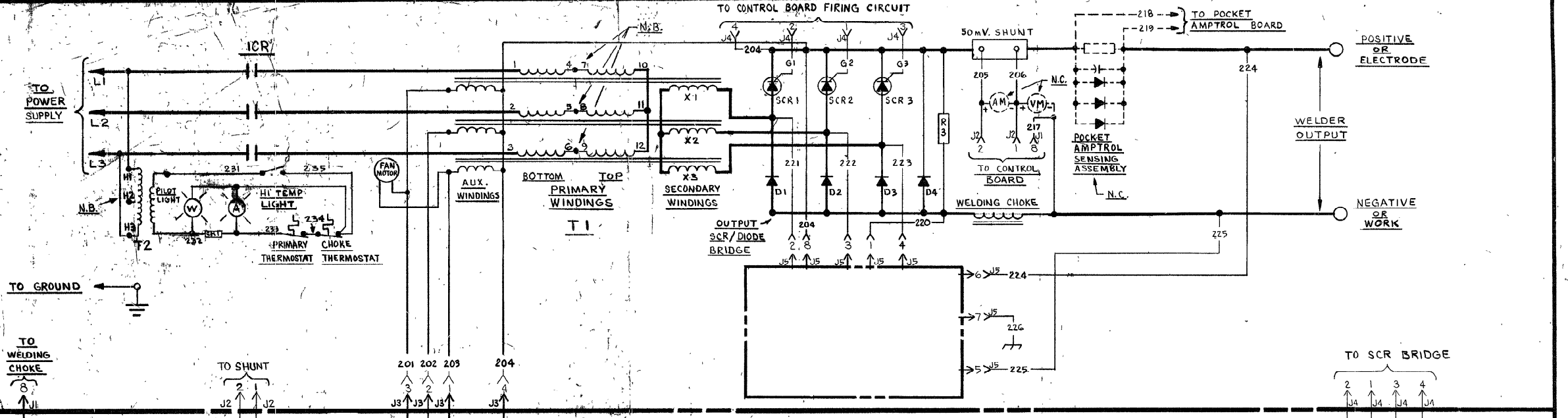
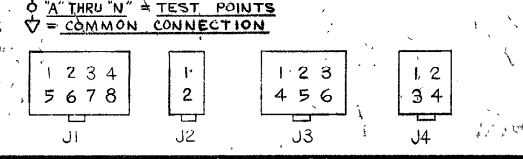
**GENERAL INFORMATION**

A.N.S.I. ELECTRICAL SYMBOLS PER E-1537

CAPACITORS = MFD/VOLTS

RESISTORS = OHMS/WATTS \*

\* 1/2 WATT UNLESS OTHERWISE SPECIFIED

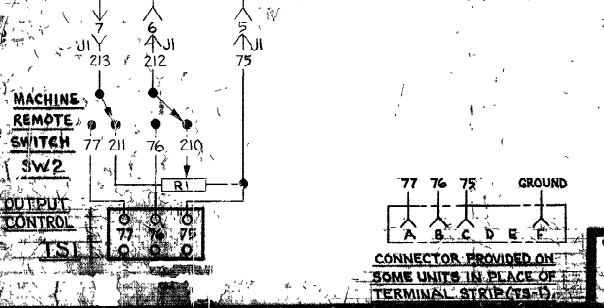


**NOTES**

N.B. CONNECTIONS SHOWN ARE FOR HIGH VOLTAGE INPUT ON DUAL VOLTAGE MACHINES. SEE WIRING DIAGRAM AND CONNECTION DIAGRAM FOR ALL OTHER MACHINE TYPES OR VOLTAGES.

N.C. VOLTMETER, AMMETER, AND POCKET AMPTRON SENSING ASSEMBLY SHOWN ARE OPTIONAL EQUIPMENT.

N.D. SINCE COMPONENTS OR CIRCUITRY ON A PRINTED CIRCUIT BOARD MAY CHANGE WITHOUT AFFECTING THE INTERCHANGEABILITY OF A COMPLETE BOARD, THIS DIAGRAM MAY NOT SHOW THE EXACT COMPONENTS OR CIRCUITRY OF CONTROLS HAVING A COMMON CODE NUMBER.



UNLESS OTHERWISE SPECIFIED, RESISTORS ARE IN OHMS, CAPACITORS IN MICROFARADS.

ON 2 PLACE DECIMALS IS = .01

ON 3 PLACE DECIMALS IS = .001

ON 4 PLACE DECIMALS IS = .0001

RESISTOR TOLERANCES: 1% = R, 5% = R, 10% = R

CAPACITOR TOLERANCES: 5% = M, 10% = M, 20% = M

THE LINCOLN ELECTRIC CO. EQUIP. IDEALARC RSR-400/500

CLEVELAND, OHIO U. S. A. TYPE SCHEMATIC

DATE 12-83

REF G2079

REV. NO. G2170