

CONTROL CIRCUIT P.C. BOARD

R101, R181	100 A
R102, R152	21K A
R103, R153	1K A
R104, R154	47 K A
R105, R155	33 K A
R106, R156	27 K A
R107, R157	15 K A
R108, R158	6.8 K A
R109, R159, R160, R161, R162, R163, R164, R165	1K A
R110, R125	680 A
R111	1.5 MEG. A
R112	390K A
R113, R146, R170	330 A
R115, R168	1 MEG. A
R116, R117, R128, R130	4.7 K A
R131, R132, R142, R145	4.7 K A
R162, R171, R173, R175	2.2 K A
R176, R177, R182, R184	270 A
R180, R138	1K A TRIMMER
R133, R148, R153	68 K A
R136	1.8 K A
R139	20 K A TRIMMER
R143, R152, R186	22 K A
R144	2.7 MEG. A
R149	10 K A
R150, R164, R165	1.3 K A
R155, R156	82 K A
R166, R169	47 A
R174	150 K A
R178	100 K A
R179	5 K A TRIMMER
R183	50 K A

CONTROL CIRCUIT P.C. BOARD

L101	33 mH
LED 101 THRU 105	RED LIGHT EMITTING DIODE
SCR 101	12 A
TP 101	TRANSIENT SUPPRESSOR
X101	QUAD. OP. AMP
X102	DUAL OP. AMP

FIRING CIRCUIT P.C. BOARD

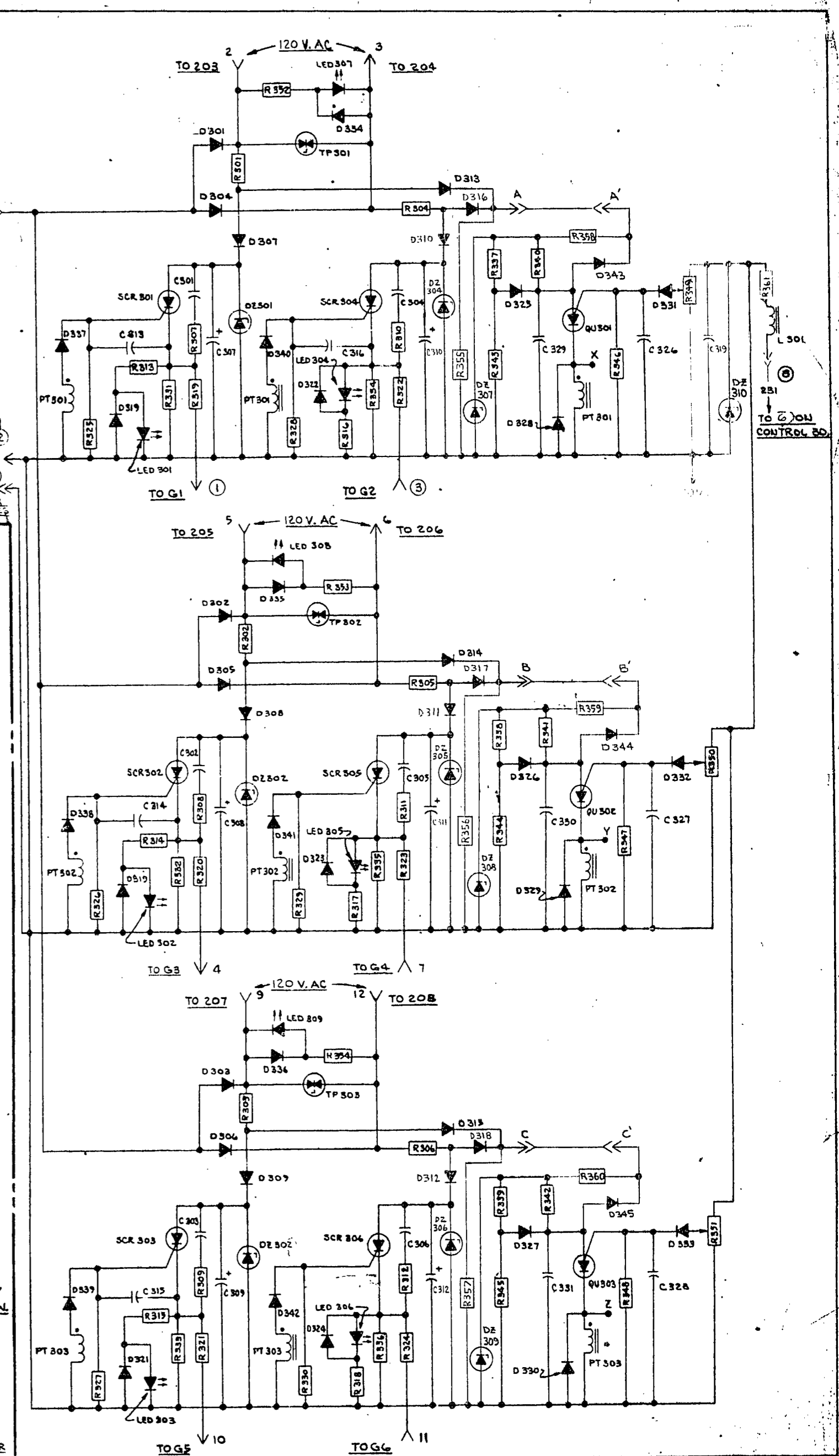
C102	47 MFD
C103	.1 MFD
C104, C114, C115, C118	.022 MFD
C105, C106, C107, C113	.047 MFD
C126, C129	.1 MFD
C108, C111, C112	18 MFD
C109	.22 MFD
C110	2.7 MFD
C116, C117	2 MFD
C119, C120, C121, C122	.02 MFD
C123, C121, C128	.02 MFD
D101, D106 THRU D111	1A. 400V.
D113 THRU D122, D125, D126	1A. 1000V.
D102, D103, D104, D105	1A. 1000V.
DZ 101	15V., 5W.
DZ 102, DZ104	10V., 1W.
DZ 103	6.2V., 400mW.
DZ 105	6.2V., 500mW.
LED 301 THRU 309	RED LT. EMIT. DIODE
QU 301 THRU QU 303	2N6027
PT 301-PT 303	1:1:1 PULSE TRANSF.
SCR 301-SCR 306	12A. 400V.
TP 301-TP 303	TRANSIENT SUPPRESSOR
C301-C306	.22 MFD
C329-C331	2.2 MFD
C307-C312	27 MFD
C313-C319	.047 MFD
C326-C328	.022 MFD

COMPONENTS NOT ON P.C. BOARD

R1	10K A POT.
R2	30A 300W.
R307-R312	10 A
R313-R318	470 A
R319-R324	5.1 A
R325-R330	100 A
R331-R336	150 A
R337-R339	47 K A
R340-R342	68 K A
R343-R345	1 K A
R346-R348	1 MEG. A
R349-R351	50K A TRIMMER
R352-R354	47 K A
R355-R357	680 A, 2 W.
R358-R360	270 A
D301 THRU D345	1A.
DZ 301 THRU DZ 306	27V., 5W.
DZ 307 THRU DZ 309	25V., 68W.
DZ 310	1.2V., 1.5W.
L-301	55 mH

STARTING RELAY ASSEMBLY

T CR	STARTING RELAY
C 601	20 MFD
R 601	470 A
D 601	1A., 1000V.



SNUBBER P.C. BOARD

R401-R403	47 A, 2W.
R501-R503	47 A, 2W.
R504	27 A, 2W.
C401-C403	.68 MFD
C501-C503	.1 MFD
C504	.1 MFD

NOTES

N.A. ONE OR BOTH DIODES (D121 & D122) MAY BE SHORTED WITH A JUMPER.

N.B. CIRCLED CONNECTION PIN NOS. ON FIRING BOARD INDICATE THE SMALLER OF THE TWO HOLES CONNECTORS.