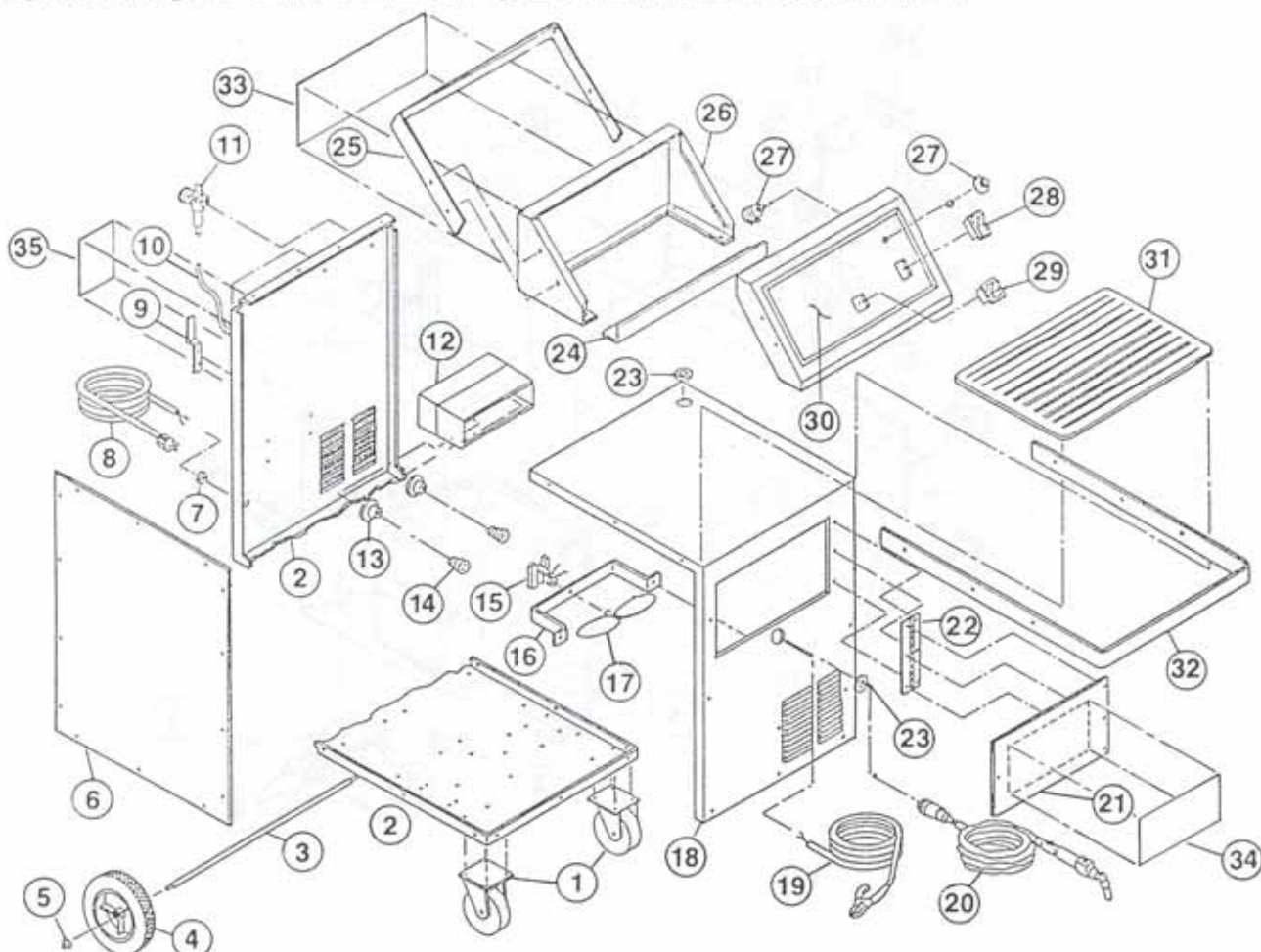


CONTROL PANEL & GENERAL CABINET

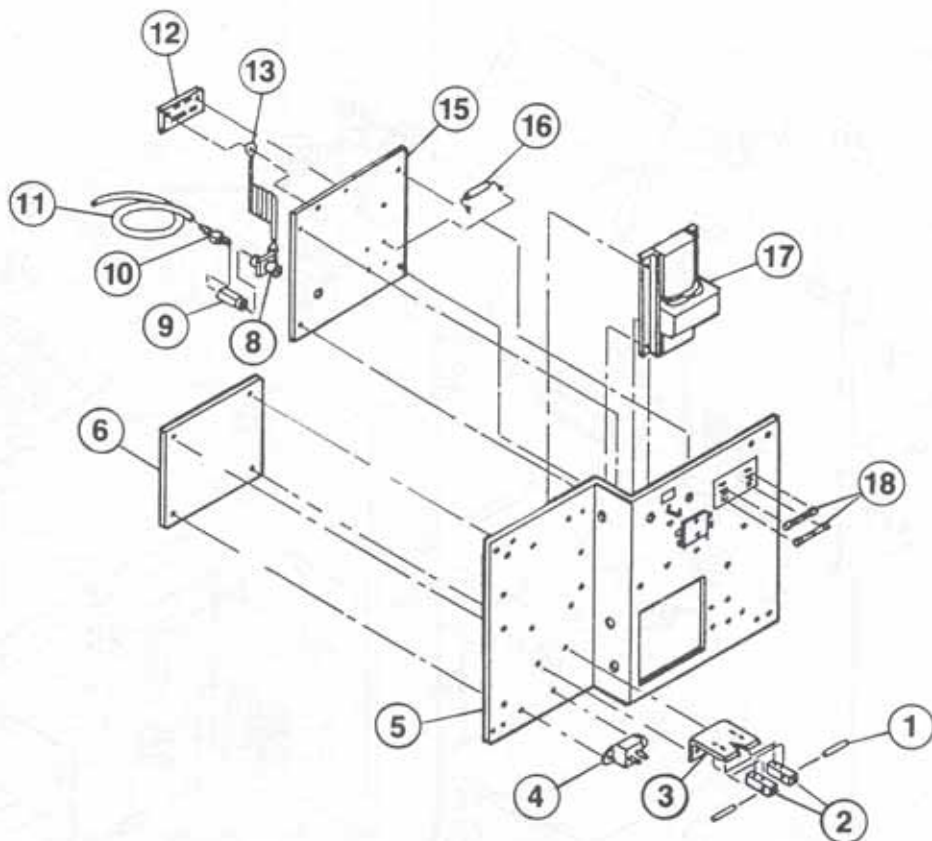


Code No.	Part Number	Description	No. Req.
1	32900029	Caster	2
2	B7172950	Cabinet Base & Back (Marquette)	1
	B7173950	Cabinet Base & Back (NAPA)	1
3	20700055	Axle	1
4	62964321	Wheel	2
5	69940980	Palnut	2
6	B7367619	L.H. Panel (Marquette)	1
6	B7366619	R.H. Panel (Marquette)	1
	B7001360	L.H. Panel (NAPA)	1
	B7000360	R.H. Panel (NAPA)	1
7	48000008	Strain Relief	1
8	47000009	Power Cord	1
9	21000702	Power Cord Hook	2
10	38100024	Outer Hose	1
11	35000337	Pressure Regulator	1
	32300003	Pressure Gauge Only	1
12	95081856	Glocoil Shield	1
13	44000004	Receptacle	2
14	44000003	Glocoil Heater	2
15	44200016	Fan Motor	1
16	21000365	Fan Bracket	1
17	39900159	Fan Blade	1

Code No.	Part Number	Description	No. Req.
18	B7114210	Cabinet Front & Top (Marquette)	1
	B7115210	Cabinet Front & Top (NAPA)	1
19	93460368	Negative Cable Assembly	1
20	15559	Torch Assembly (Marquette)	1
	83339	Torch Assembly (NAPA)	1
21	B7118210	Access Panel (Marquette)	1
	B7119210	Access Panel (NAPA)	1
22	B7120210	Hinge (Marquette)	1
	B7121210	Hinge (NAPA)	1
23	31100033	Grommet	2
24	B7116210	Angle	1
25	B7103201	Handle	1
26	B7117210	Control Panel	1
27	44800005	Neon Lamp	1
28	43600028	Power Switch	1
29	43600045	Setup/Run Switch	1
30	61986731	Switch Plate (Marquette)	1
	61986806	Switch Plate (NAPA)	1
31	39900182	Rubber Mat	1
32	B7104201	Cabinet Handle	1
33	61986918	Warning Decal	1
34	61986919	Warning Decal	1
35	61986766	Input/Output Decal	1

M12-200, 83-330, 4015, P10185

INTERFACE PANEL ASSEMBLY



Code No.	Part Number	Description	No. Req.
1	19000021	Spark Gap Electrode	2
2	21101066	Spark Block	2
3	21500047	Mounting Bracket	1
4	40400032	Mica Capacitor	1
5	95081837-191	Interface Panel	1
6	B7001199	Control Board	1
8	37100018	Torch Connector	1
9	37100024	Coupling	1
10	37100016	Hose Connector	1
11	38100023	Inner Hose	1
12	B7005935	Sense Coil Assy. - PCB	1
13	95081882	Air Coil Assembly	1
15	21500040	Mounting Plate	1
16	95081839	0.1 mfd Capacitor	4
17	41300022	Hi-Frequency Transformer	1
18	43900010	3.0 Amp Fuse, AGC, 250 V	2

M12-200, 83-330, 4015, P10185