

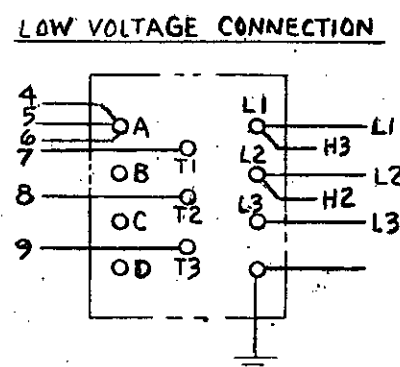
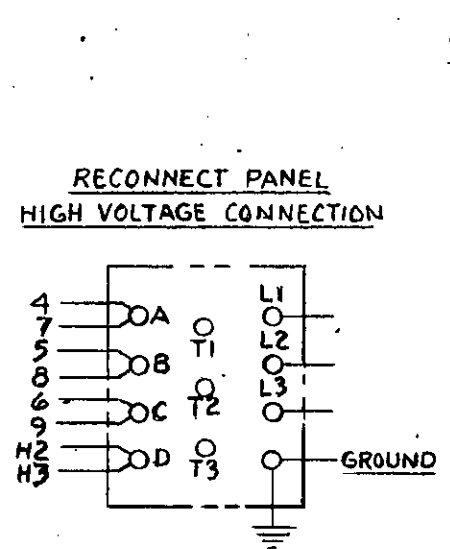
63331-W

LEGEND

- C4 1 MFD
- C5 .022 MFD
- C6 .022 MFD
- C7 .02 MFD
  
- \*D1 12.5 AMP
- D4 1 AMP
- D5 3 AMP
- D6 3 AMP
- D7 1 AMP
- F1 10 AMP
- L1 DC OUTPUT FILTER CHOKE
- R4 22Ω
- R5 4.7KΩ
- \*R6 100Ω
- \*R7 50Ω
- R8 5.1KΩ
- R9 1.8KΩ
- R10 10KΩ POT
- R11 1.5KΩ
- R12 10KΩ POT
- R13 3.0Ω 25 W
- R14 4.3Ω 10W
- R16 10KΩ
- R17 2.2KΩ \*
- T1 MAIN TRANS
- T2 AUX TRANS
- MA1 MAG AMP
- MA2 MAG AMP
- MA3 MAG AMP
- S1 VOLTAGE CONTROL SWITCH
- S2 POWER ON-OFF SWITCH
- S3 CONTROL CIRCUIT SWITCH
- S4 OUTPUT VOLTAGE RANGE SWITCH
- ICR INPUT CONTACTOR
- RECT.1 MAIN POWER RECTIFIER
- RECT.3 CONTROL CIRCUIT RECTIFIER
- Q1 2N5879
- Q2 2N5815
- DZ1 27 V.

\* NOT ON EARLIER MACHINES

TO GROUND PER NATIONAL  
ELECTRIC CODE.



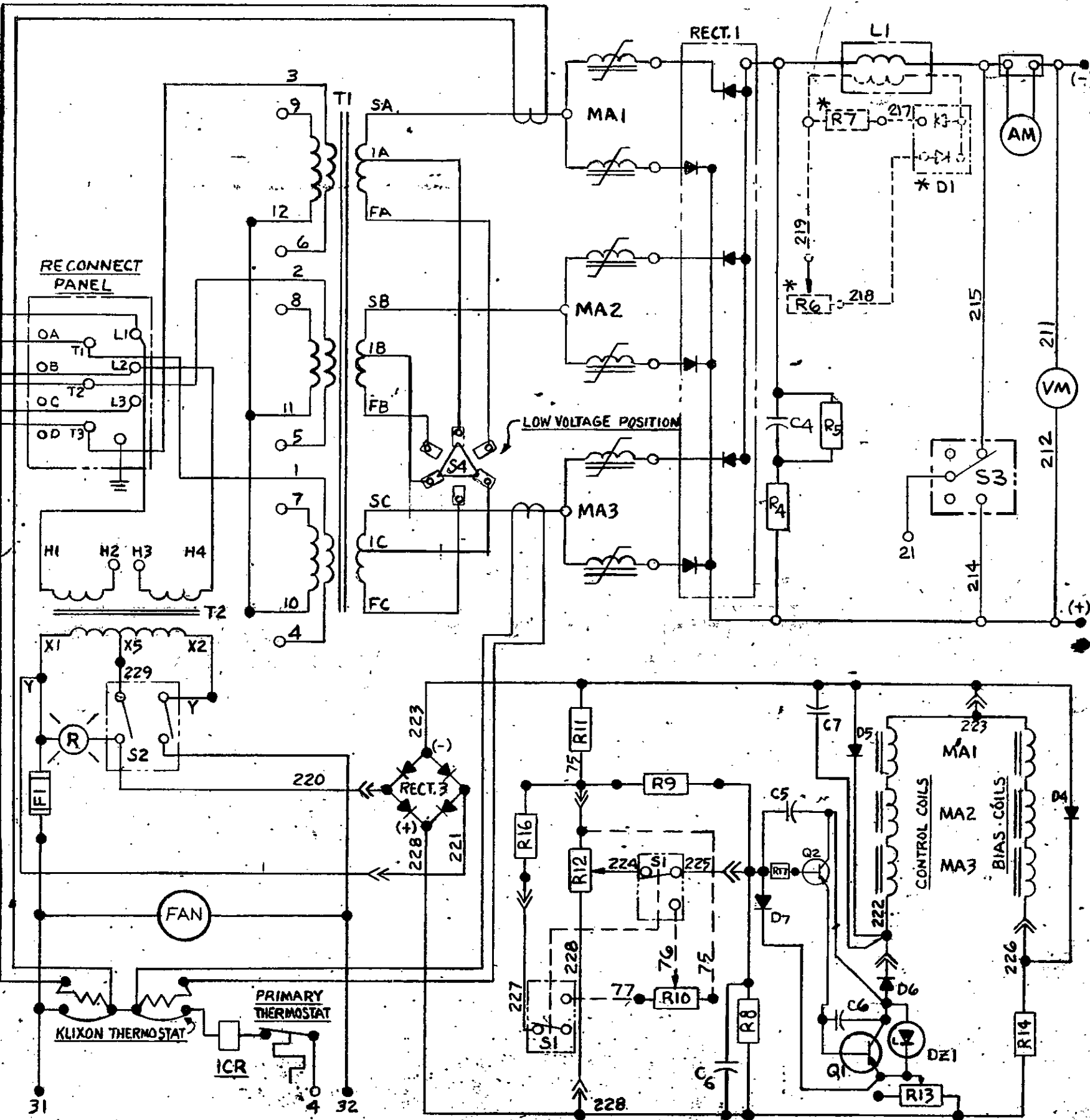
NOTE  
SINCE COMPONENTS OR CIRCUITRY ON A P.C. BOARD MAY CHANGE WITHOUT AFFECTING THE INTERCHANGEABILITY OF A COMPLETE BOARD THIS DIAGRAM MAY NOT SHOW THE EXACT COMPONENTS OR CIRCUITRY OF CONTROLS HAVING A COMMON CODE NUMBER.

\* USED WITH ARC CONTROL OPTION ONLY

LEAD COLOR CODE

Y - YELLOW

A.N.S.I. ELECTRICAL SYMBOLS PER E-1537



4-16-76B		
8-27-76G		
10-1-76E		
6-9-78		

SUBJECT: R3S-325 SCHEMATIC WIRING DIAGRAM.  
THE LINCOLN ELECTRIC CO.  
CLEVELAND, OHIO U.S.A.

M-13339

UNLESS OTHERWISE SPECIFIED TOLERANCE:  
ON 2 PLACE DECIMALS IS ±.02  
ON 3 PLACE DECIMALS IS ±.002  
ON ALL ANGLES IS ±.5 OF A DEGREE  
MATERIAL TOLERANCE ("V") TO AGREE  
WITH PUBLISHED STANDARDS

THE LINCOLN ELECTRIC CO.  
CLEVELAND, OHIO U.S.A.

3-25-76

TYPE R3S-325  
SUBJECT SCHEMATIC DIAGRAM

M-13215 M-13339