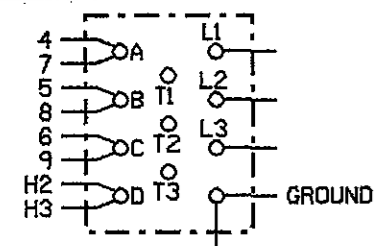
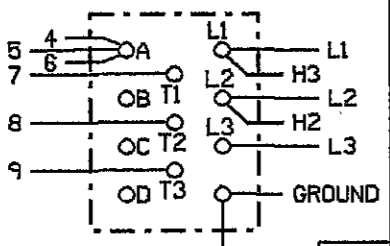


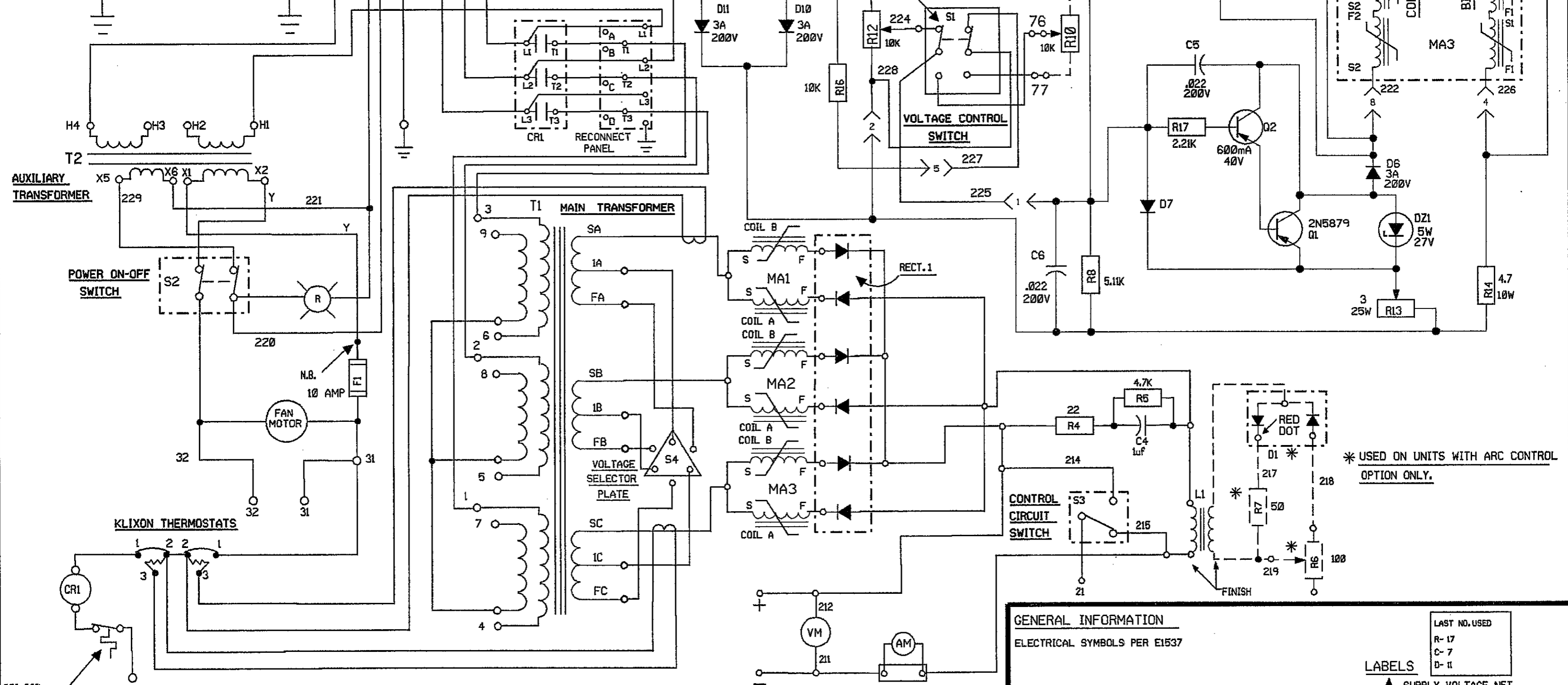
RECONNECT PANEL HIGH VOLTAGE CONNECTION



LOW VOLTAGE CONNECTION



TO GROUND PER NATIONAL ELECTRIC CODE INPUT VOLTAGE SEE WIRING DIAGRAM FOR INPUT CONNECTIONS



PRI. COIL THERMOSTAT

LEAD COLOR CODE  
Y YELLOW  
R RED

NOTES :  
N.A. SINCE COMPONENTS OR CIRCUITRY ON A PRINTED CIRCUIT BOARD MAY CHANGE WITHOUT AFFECTING THE INTERCHANGEABILITY OF A COMPLETE BOARD, THIS DIAGRAM MAY NOT SHOW THE EXACT COMPONENTS OR CIRCUITRY OF CONTROLS HAVING A COMMON CODE NUMBER.  
N.B. CENTER TERMINAL OF FUSE HOLDER.

**GENERAL INFORMATION**  
ELECTRICAL SYMBOLS PER E1537

**LABELS**

- ▲ SUPPLY VOLTAGE NET
- POWER SUPPLY SOURCE POINT
- ▽ COMMON CONNECTION
- ▤ FRAME CONNECTION
- ≡ EARTH GROUND CONNECTION

**LAST NO. USED**  
R- 17  
C- 7  
D- 11

UNLESS OTHERWISE SPECIFIED TOLERANCE ON HOLES SIZES PER E-2056 ON 2 PLACE DECIMALS IS + .02 ON 3 PLACE DECIMALS IS + .002 ON ALL ANGLES IS + .5 OF A DEGREE MATERIAL TOLERANCE (°) TO AGREE WITH PUBLISHED STANDARDS	Chgs. Sht. No.				
	7-18-80E				
	2-14-92E				

THE LINCOLN ELECTRIC CO.  
CLEVELAND, OHIO U.S.A.  
SCALE NONE

EQUIP. TYPE IDEALARC R3S-325  
SUBJECT SCHEMATIC

DR. FM/PT DATE 9-25-91 CHK. [Signature] SUP'D/G. SHT. NO. M14114