

LF 5D ADVANCED

Spare Parts	1
Figure A: Machine Assembly	2
Figure B: Partition Assembly	3
Figure C: Wire Drive Assembly	4
Figure D: Front Assembly	5
Figure E: Back Panel	6
Miscellaneous Items (not shown in figure A, B, C, D, E)	6
Electrical Schematic	7
CODE: 50676	7



Spare Parts

SP505676 REV02
09/2025

ASSEMBLY PAGE NAME			Machine Assembly	Partition Assembly	Wire Drive Assembly	Front Assembly	Back Panel	Miscellaneous Items
CODE NO.:	K NO.:	FIGURE NO.:	A	B	C	D	G	
50676	K14409-1	LF 5D ADVANCED	1	1	1	1	1	1

*items highlighted in bold are recommended spare parts

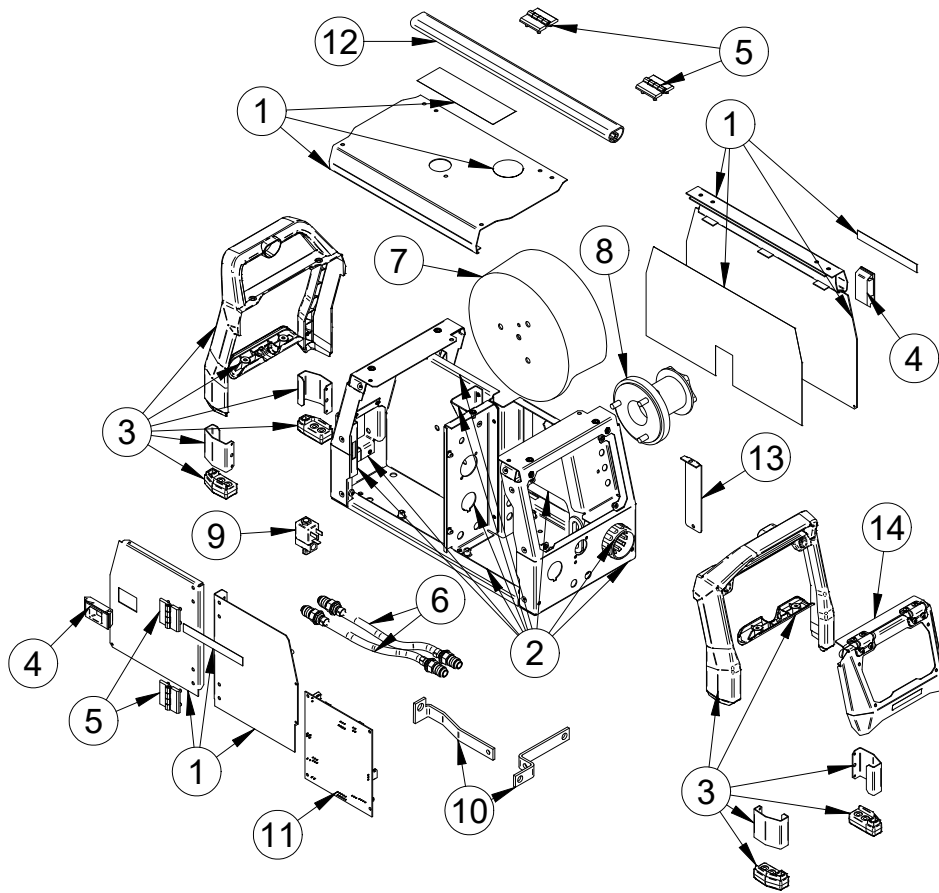


Figure A

Figure A: Machine Assembly

Item	Description	Part Number	QTY	1	2	3	4	5	6	7
1	SIDE PANEL KIT includes:	T-8040-217-2R	1	X						
	SIDE PANEL		1	X						
	LABEL		1	X						
	COVER		1	X						
	LABEL		1	X						
	COVER		1	X						
	LABEL		1	X						
	LABEL		1	X						
	SIDE PANEL		1	X						
	SIDE PANEL		1	X						
	LABEL		1	X						
2	BASE, PARTITION, SHELF KIT:	T-8040-216-2R	1	X						
	FRAME		1	X						
	EURO SLEEVE		1	X						
	FRONT PANEL		1	X						
	BRACKET		1	X						
3	PANEL KIT includes:	T-8040-215-1R	1	X						
	FRAME		2	X						
	BLACK CAP		2	X						
	COVER		2	X						
	COVER		2	X						
	FOOT RIGHT		2	X						
	FOOT LEFT		2	X						
4	DOOR LATCH PT,LF	0654-610-004R	2	X						
5	DOOR LATCH LF37/38	0654-610-007R	4	X						
6	WATER CONNECTION KIT:	T-8040-214-1R	1	X						
	COOLING HOSES		1	X						
	QUICK CONNECTOR		4	X						
7	WIRE REEL ENCLOSURE	R-0010-867-1R	1	X						
8	EIXO DA BOBINA COMPLETO	0744-000-247R	1	X						
9	GAS SOLENOID	W8500011R	1	X						
10	COPPER BAR KIT	T-8040-213-1R	1	X						
11	CONTROL BOARD	R-6042-124-1R	1	X						
12	HANDLE L=418MM	W92X0228-8R	1	X						
13	COVER	R-1019-729-1R	1	X						
14	CONTROL PANEL COVER	R-8040-526-1R	1	X						

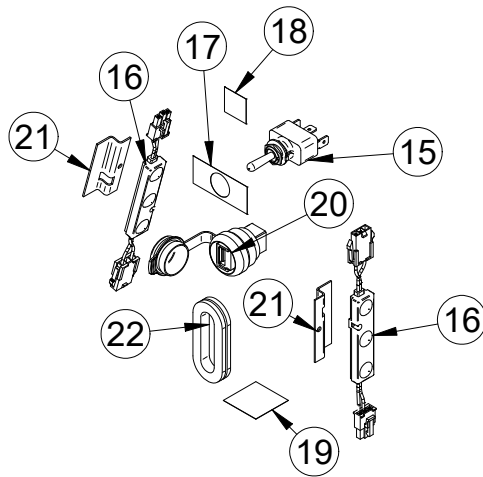


Figure B

Figure B: Partition Assembly

Item	Description	Part Number	QTY	1	2	3	4	5	6	7
15	TOGGLE SWITCH HY29J	1115-280-004R	1	X						
16	LED MODULE	0917-421-049R	2	X						
17	LABEL	R-0000-414-1R	1	X						
18	USB LABEL	R-0000-415-1R	1	X						
19	STICKER HAND	2719-107-732R	1	X						
20	SOCKET USB	1158-641-061R	1	X						
21	BRACKET	R-1012-931-1R	2	X						
22	GROMMET RUBBER	W8400041R	1	X						

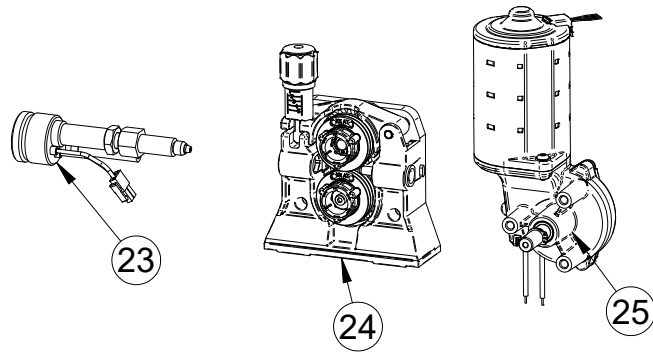


Figure C

Figure C: Wire Drive Assembly

Item	Description	Part Number	QTY	1	2	3	4	5	6	7
23	EURO SOCKET	R-8040-523-1R	1	X						
24	WIRE DRIVE SWISSFEED ST2	0744-000-342R	1	X						
25	WIRE MOTOR	T-8040-049-1R	1	X						

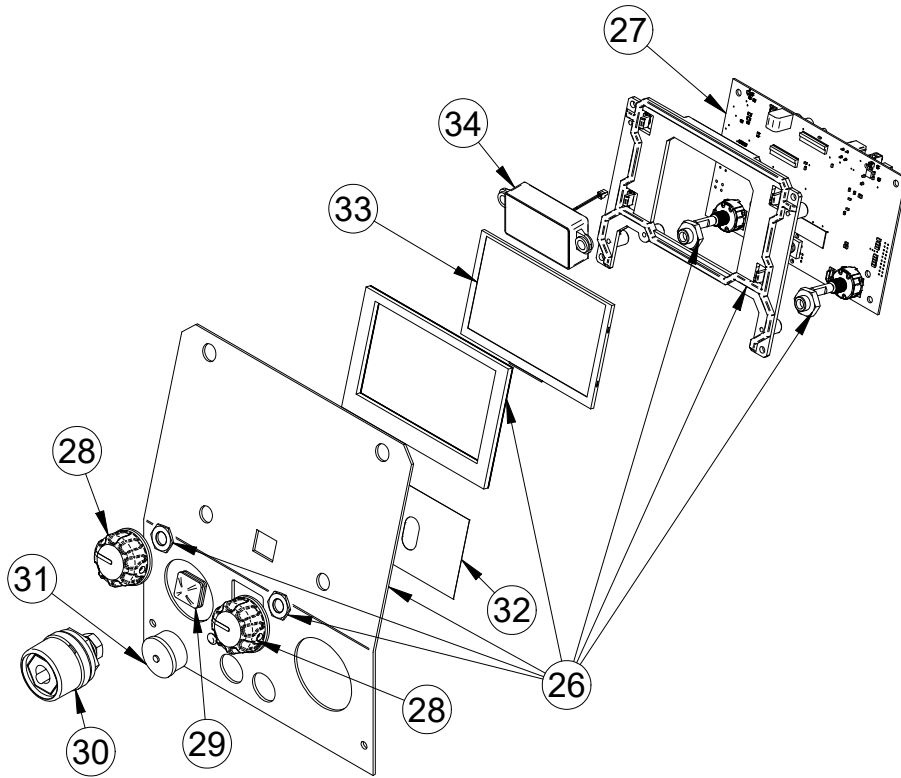


Figure D

Figure D: Front Assembly

Item	Description	Part Number	QTY	1	2	3	4	5	6	7
26	FRONT PANEL KIT:	T-8040-212-2R	1	X						
	DISPLAY FRONT PANEL		1	X						
	BRACKET		1	X						
	BRACKET		2	X						
	GASKET		1	X						
27	USER INTERFACE PCB	R-6042-134-1R	1	X						
28	KNOB	9SM22778-2	2	X						
29	BUTTON	9SS23055	1	X						
30	SOCKET	90000595PR	1	X						
31	PROTECTION COVER PLUG AMP	1158-641-159R	1	X						
32	COPPER LABEL	R-0000-341-1R	1	X						
33	5.0" TFT LCD DISPLAY	0942-172-014R	1	X						
34	SPEAKER	0943-719-016R	1	X						

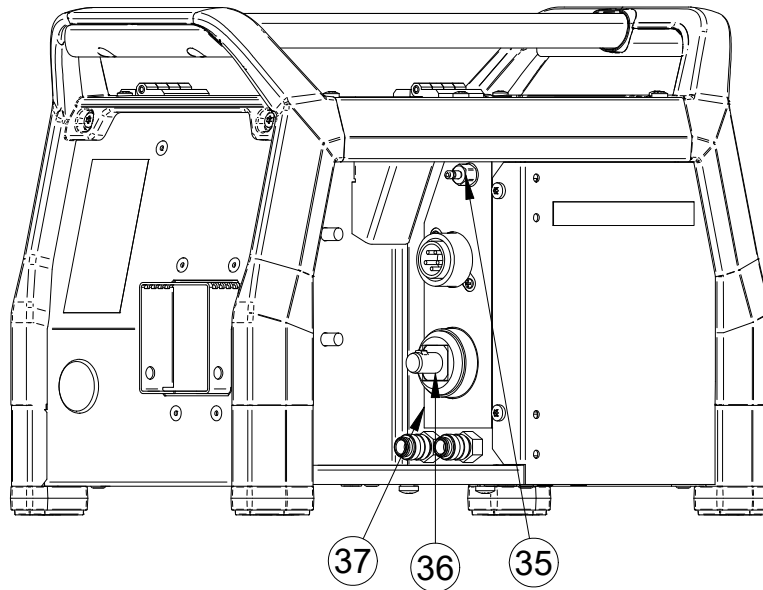


Figure E

Figure E: Back Panel

Item	Description	Part Number	QTY	1	2	3	4	5	6	7
35	GAS CONNECTION KIT	T-8040-055-1R	1	X						
36	SOCKET	D-2985-002-1R	1	X						
37	LABEL	R-0000-413-1R	1	X						

Miscellaneous Items (not shown in figure A, B, C, D, E)

Item	Description	Part Number	QTY	1	2	3	4	5	6	7
38	HARNESS KIT	T-8040-218-1R	1	X						

