

LINC-CUT® S 1530d

CNC PLASMA CUTTING SYSTEM WITH DOWN DRAFT TABLE



LINC-CUT® S 1530d

LINCOLN
ELECTRIC

LINCOLN®
ELECTRIC

www.lincolnelectric.com

BOOST YOUR RESPONSIVENESS AND CREATIVITY

LINC-CUT® S 1530d

PLUG & PLAY SYSTEM FOR PLASMA CUTTING

- Complete cutting system with high quality single-source components
- 2 year warranty
- Air plasma cutting
- For mild steel, stainless steel and aluminum
- Sheet metal 1500 x 3000 mm
- Compact machine optimizing the floor space
- Fast installation with minimal learning curve for operators
- Ready for operation within 4 hours after delivery and installation
- Pneumatic marker in option

Applications

- Metal fabrication shops
- Sheet metal contractors
- Small boilermaker
- Locksmith
- Prototyping
- Education & training

20" multi-touch screen with interface VMD including standard forms, an automatic nesting, process management with an integrated database, and manual functions. Intuitive and easy to use.

Linear guided plasma torch for cutting integrating positioning laser spot

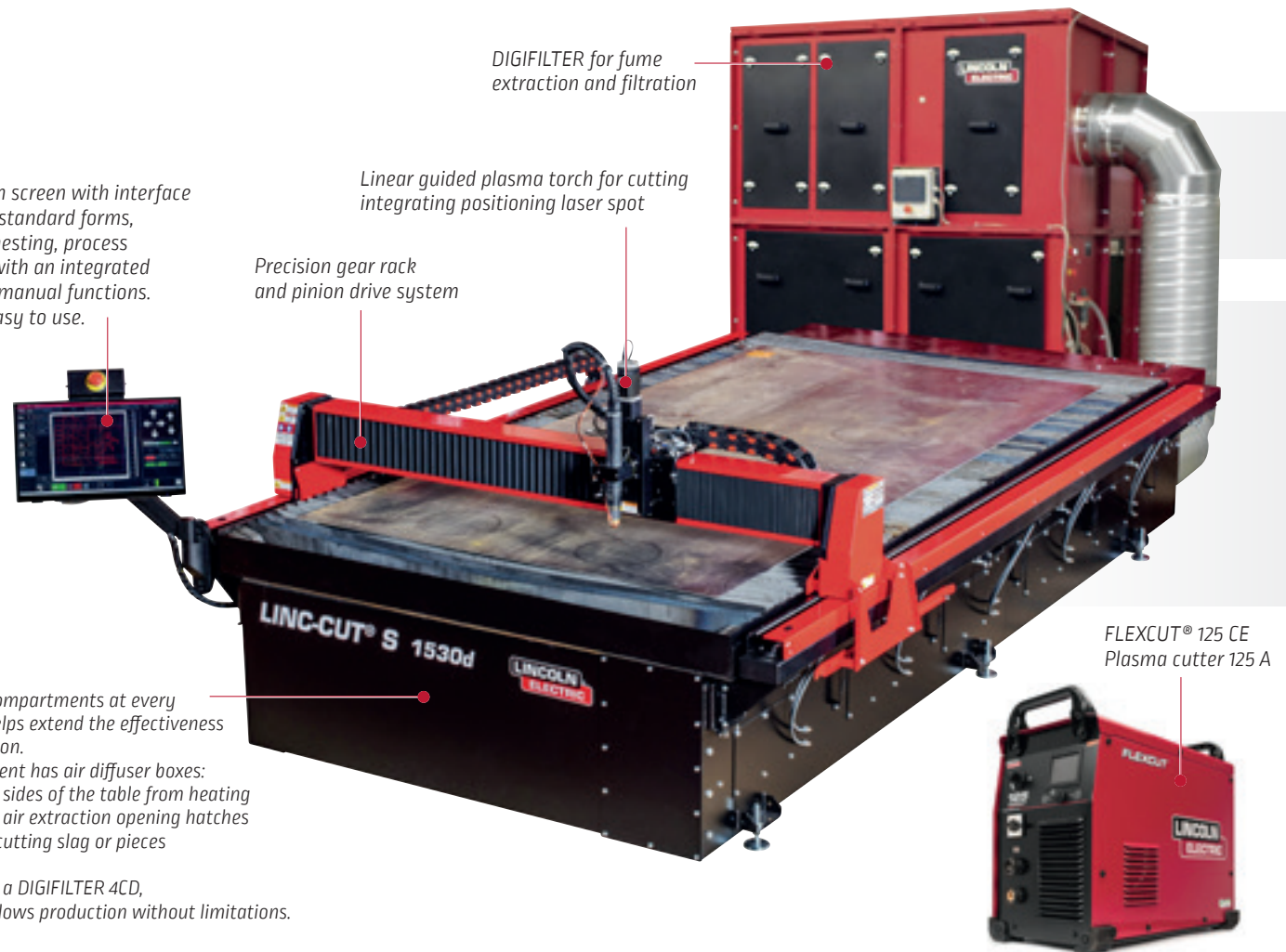
Precision gear rack and pinion drive system

DIGIFILTER for fume extraction and filtration

The table has compartments at every 600 mm that helps extend the effectiveness of fume extraction.

- Each compartment has air diffuser boxes:
- To protect the sides of the table from heating
 - To protect the air extraction opening hatches
 - To collect the cutting slag or pieces

Associated with a DIGIFILTER 4CD, the assembly allows production without limitations.



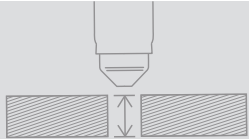
Machine	Article code	Cut area (mm)	Max plate load (kg)	Power demands	Dimensions (mm)	Weight (kg)
LINC-CUT® S 1530d	AS-CM-LCS1530DF125	1500x3000	1500	230V/4A 1Ph 50/60Hz HMI and CNC	2500x4000 x1355*	1800

Product name	Air pressure required (Bars)	Air flow rate (l/min)	Power demands	Rated output	Output range (A)	Dimensions (mm)	Weight (kg)
FlexCut™125 CE	6,2 – 8,2	260	400V/40A 3Ph 50/60Hz	125A/175V @ 100%	20 – 125	526x311 x648	53,5

* Add a minimum safety zone to these dimensions 800mm for operator access areas
Machine placed on concrete slab, flatness of the slab ± 10mm, drop 30mm (5mm/m max)

EFFICIENCY PRODUCTIVITY PRECISION

**PIERCE
CAPACITY:
25 mm**



MAXIMUM CUT SPEED
(Mild steel):

6 mm: **5300 mm/min**
12 mm: **2200 mm/min**
25 mm: **800 mm/min**



- **Excellent cutting performance:**
 - Low cutting kerf angle, very smooth cut face
 - Cutting but also plasma marking
 - Quality management, in particular to improve the straightness of bolt holes.
- **Easy to use:**
 - Only need compressed air
 - Large and intuitive touch screen
- **Low operating costs:**
 - XL life of consumables
 - Fast cutting speeds
 - Virtually dross-free cuts reduces need for finishing

ACCUMOVE

ACCUMOVE motion control technology offering advanced machine control and combining all functions to simplify use. It provides increased processing power and synchronization of each component on the table. Height control, motors and computer aided manufacturing software, are all managed with a single operating system - keeping the entire communication loop under one display.

NEW VISUAL MACHINE DESIGNER (VMD)

VMD is the human-machine interface (HMI) of all ACCUMOVE® CNC controllers. Its user-friendly design and appealing layout is very easy to learn. A full set of new features has been installed directly in the controller to simplify the cutting process:



– **Process management** – all parameters are controlled from the interface depending on **the simple choice of material and thickness** simplifying the implementation of plasma cutting. Several functions increase cycle productivity and automatically compensate for consumable wear.

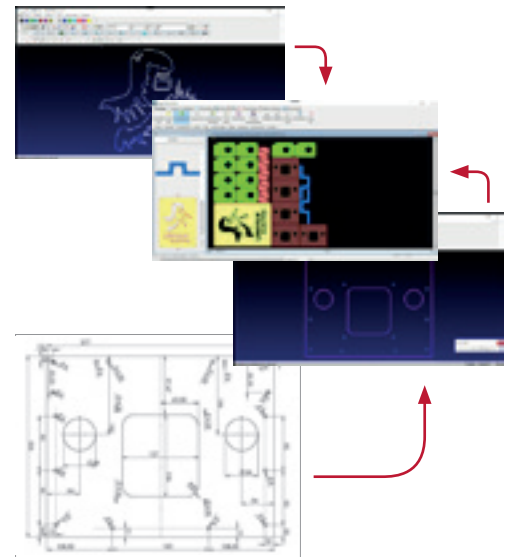
- **Plate alignment** – simplifies material loading, especially when dealing with thicker metal sheets. Regardless the orientation of the sheet, the ACCUMOVE controller adjusts the trajectory accordingly.
- **Laser positioning mode** – simplifies the use of the machine for aligning the sheets, defining the starting point or in test mode
- **36 standard shapes** – comes pre-loaded into the software, and includes a set of adjustable shapes from a basic rectangle to complex circular flanges.
- **Automatic nesting module** – load your dxf or dwg files, enter the quantity and the VMD software will generate your production schedule automatically.



DESIGN, DIGITIZE, NEST, LET YOUR CREATIVITY GUIDE YOU...

The LINC-CUT® S solution is supplied with a software package to be installed on your pc to:

- Vectorize your drawings
- Import standard formats .dxf, .dwg
- Draw pieces according to plans
- Nest and generate machine programs
- Nesting is manual or automatic



LINC-CUT® S 1530d

YOUR TURNKEY PLASMA CUTTING MACHINE

- **REACTIVITY AND CREATIVITY**

- Intuitive interface
- Software package included

- **FLEXIBILITY**

- Sheet metal format 1500x3000mm
- Cutting capacity from 0.8 to 25mm

- **SUPPORT**

- 2 year warranty
- Local service

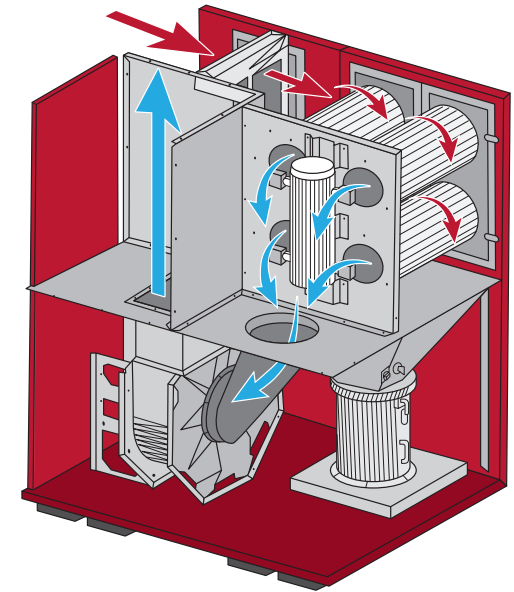
- **SECURITY**

- Certification according to standard EN ISO17916
- Adapted ergonomics

DIGIFILTER, ALL IN ONE COMPACT AIR TREATMENT UNIT

Associated to the cutting downdraft table, the DIGIFILTER provides a clean and safe working environment including:

- A spark arrester
- 4 cartridges with polyester PTFE membrane for a long life time
- Container for dust collection
- Friendly user interface to control the status of the cartridges and dust container, and help for maintenance with events history
- Automatic cartridge self-cleaning
- Filtration cartridge class H13 in compliance with EN 1822 standard (efficiency 99.9987%)



Product name	Article code	Nominal flow & pressure	Nb. of cartridge & total surface	Capacity of dust drum	Power demands	Dimensions (mm)	Weight (kg)
DIGIFILTER 4CD	EM61000529	4000 m3/h 2400 Pa	4 60 m ²	1 x 40 liters	400V/7A 3Ph 50/60Hz	1800x1480 x2275*	1050
SUCTION DUCT KIT 10m	EM61000530						

* Add a minimum safety zone to these dimensions 800mm for operator access areas

CUSTOMER ASSISTANCE POLICY

The business of The Lincoln Electric Company® is manufacturing and selling high quality welding equipment, consumables, and cutting equipment. Our challenge is to meet the needs of our customers and to exceed their expectations. On occasion, purchasers may ask Lincoln Electric for information or advice about their use of our products. Our employees respond to inquiries to the best of their ability based on information provided to them by the customers and the knowledge they may have concerning the application. Our employees, however, are not in a position to verify the information provided or to evaluate the engineering requirements for the particular weldment. Accordingly, Lincoln Electric does not warrant or guarantee or assume any liability with respect to such information or advice. Moreover, the provision of such information or advice does not create, expand, or alter any warranty on our products. Any express or implied warranty that might arise from the information or advice, including any implied warranty of merchantability or any warranty of fitness for any customers' particular purpose is specifically disclaimed.

Lincoln Electric is a responsive manufacturer, but the selection and use of specific products sold by Lincoln Electric is solely within the control of, and remains the sole responsibility of the customer. Many variables beyond the control of Lincoln Electric affect the results obtained in applying these types of fabrication methods and service requirements.

Subject to Change – This information is accurate to the best of our knowledge at the time of printing. Please refer to www.lincolnelectric.eu for any updated information.



www.lincolnelectriceurope.com

LINCOLN
ELECTRIC