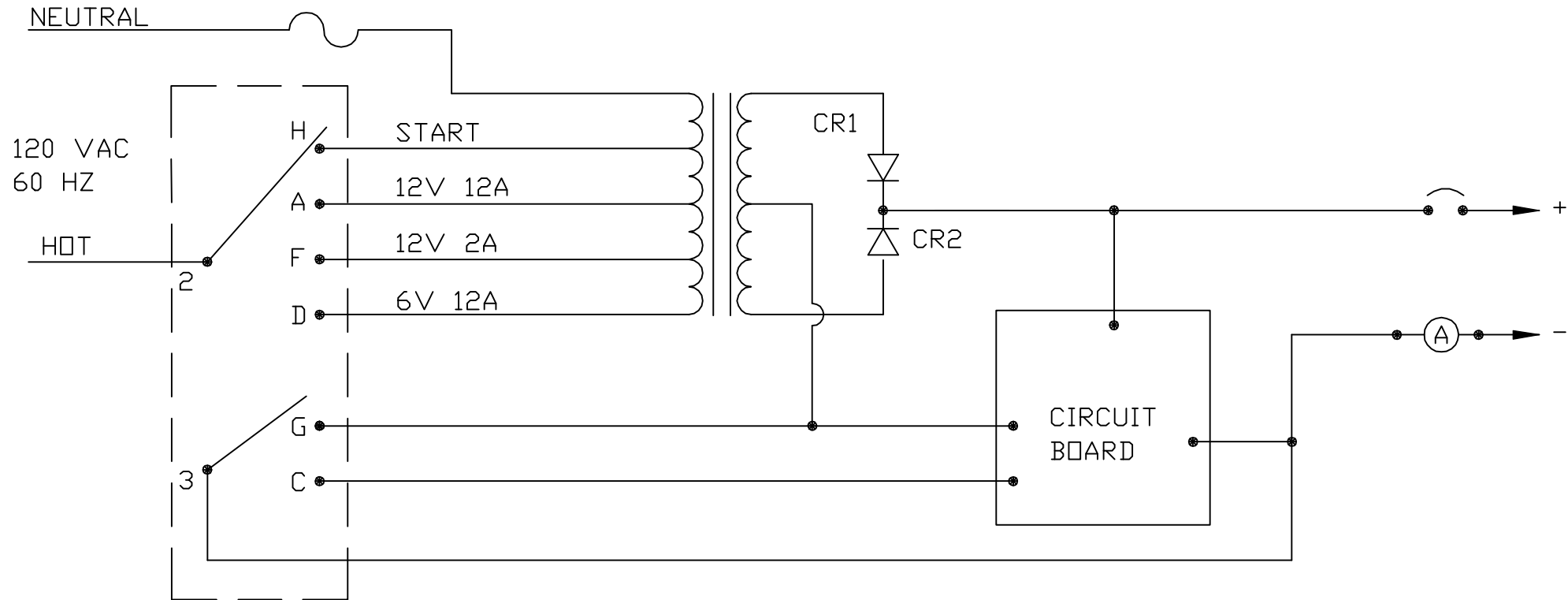


Owner's Manual

141-323, 87128

MODELS



141-323-000

MODEL