

Step 6

With ½ Hardware C – Install item 10 (second water connection kit) to item 7 (bulk head bracket B). Trim excess water tubes, if necessary and connect the hoses with connectors.

With ½ Hardware B – Install item 12 (male end of the control cable) to item 7 (bulk head bracket B).

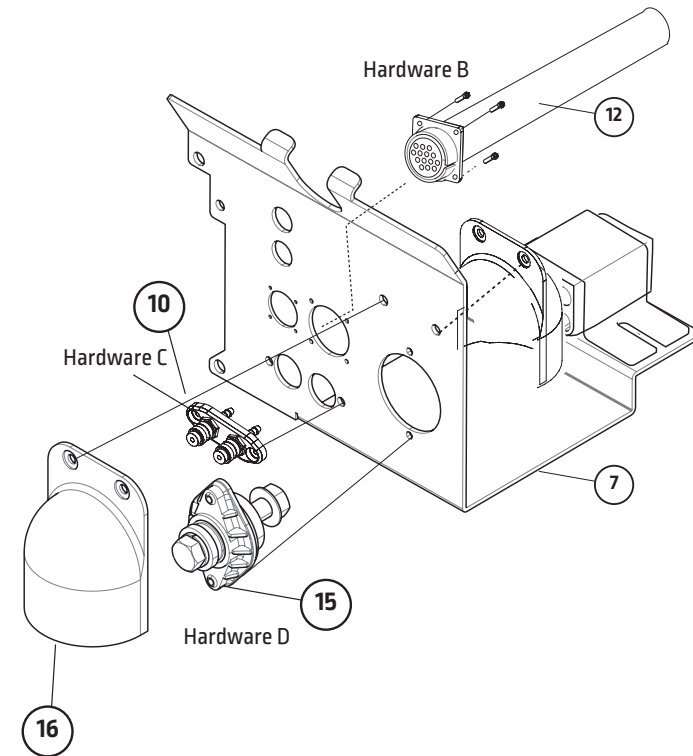
With Hardware D – Install item 15 (power stud) and item 16 (stud covers) to item 7 (bulk head bracket B). Connect the end of the power cable with 90° bend to the item 15.

Step 7

With Hardware J – Examine and bundle the cables and hoses to provide enough clearance from any interference during robot movement.

Tighten all screws and nuts.

Periodically, check the screws and nuts to make sure that they are tightened; and the cables and hoses are not damaged.

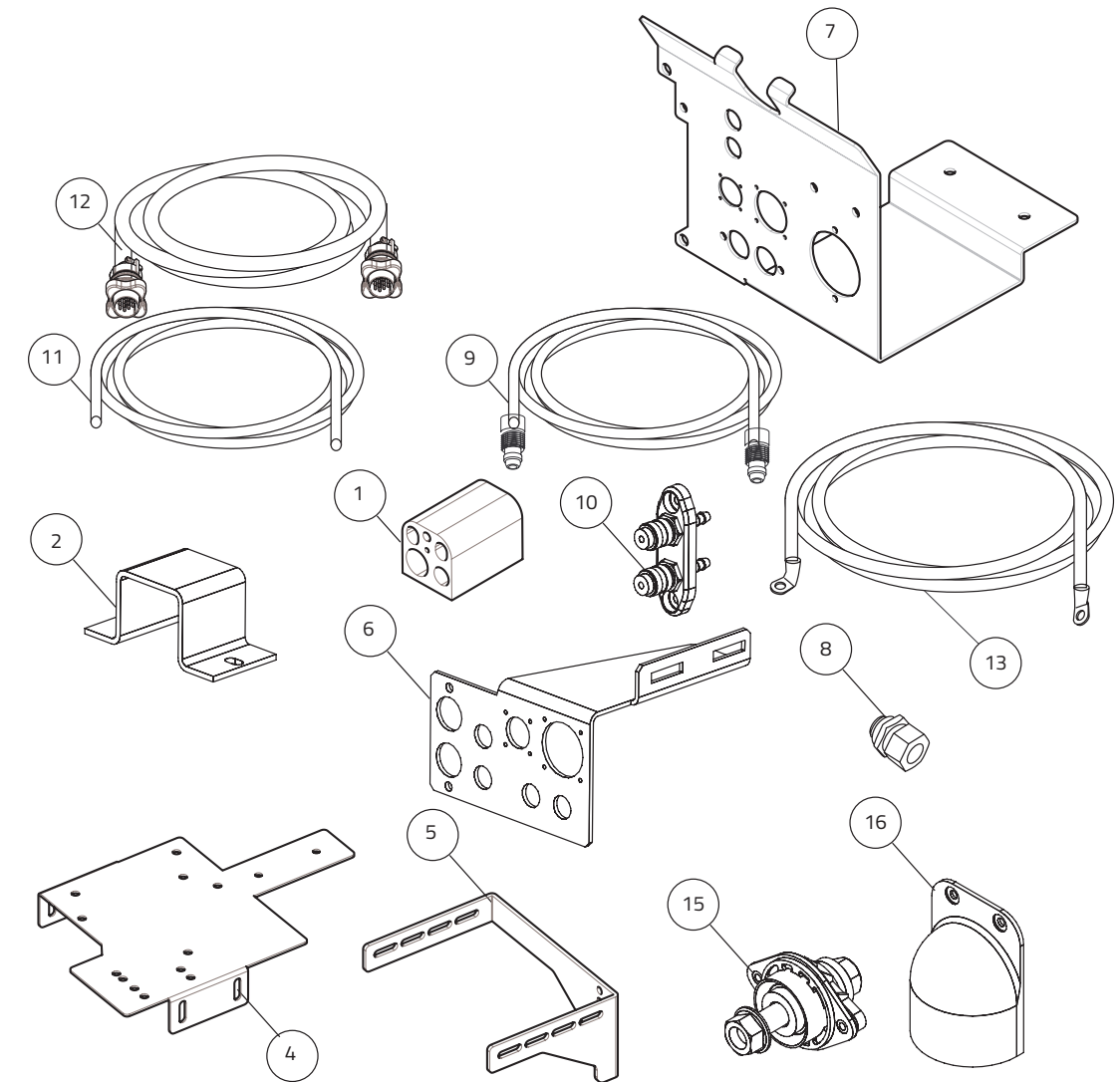


Hardware Kit Packages		
K4251-MA1440-B & K4251-MA2010-B		
DESCRIPTION	CONTENTS	QTY
Hardware B (item 12 to item 6&7)	M3x10 Screws	12
Hardware C (item 10 to item 6&7)	M4x15 bolt	4
	M4 lock washer	4
	M4 flat washer	8
	M4 nut	4
Hardware D (item 15&16 to item 7)	Water Hose Clamp	4
	M4x25 bolt	2
	M4 nut	2
	M4 flat washer	2
	M5x16 bolt	2
	M5 nut	2
	M5 flat washer	4
Hardware E (item 4 to robot & item 7)	G 1/2 Bolt	1
	G 1/2 flat washer	2
	G 1/2 Nut	1
Hardware G (item 4&6 to robots)	M6x20 bolt	8
	M6 flat washer	8
	M6 spring washer	8
Hardware L (item 5 to robot)	M8x25 bolt	5
	M8 spring washer	10
	M8 flat washer	10
	M8 nut	5
Hardware J (item 5 to robot)	M8x20 bolt	4
	M8 spring washer	4
	M8 flat washer	4
Hardware K (item 7 to Robot base)	Black Zip Tie	10
	M5x16 bolt	2
	M5 spring washer	2
	M5 flat washer	2

Yaskawa Dress Out Kit Instruction Manual



Select your arm:		K4251-MA1440-B		K4251-MA2010-B	
Item	Description	Part Number	Qty	Part Number	Qty
1	RUBBER CABLE HOLDER	S31678	4	S31678	4
2	CABLE HOLDER BRACKET, TOP	M25431-1	4	M25431-1	4
4	WIRE FEEDER BRACKET, TOP	L16629-3	1	L16629-3	1
5	WIRE FEEDER BRACKET, BOTTOM	L16629-4	1	L16629-5	1
6	BULK HEAD BRACKET, A	L16629-1	1	L16629-1	1
7	BULK HEAD BRACKET, B	L16629-2	1	L16629-2	1
8	GAS FITTING	S30266-8	1	S30266-8	1
9	GAS HOSE, UPPER ARM 0.8 M	S30266-6	1	S30266-6	1
10	WATER CONNECTION KIT	S22428-2	2	S22428-2	2
11	WATER HOSE [2.6M] - Red & Blue	E4823-18	1	E4823-18	1
12	CONTROL CABLE	M25431-7(2.2M)	1	M25431-8(2.5M)	1
13	POWER CABLE WITH 90 DEGREE BEND	M25431-9(3M)	1	M25431-10(3.2M)	1
14	HARDWARE KIT	S30266-5	1	S30266-5	1
15	OUTPUT STUDS, 1000 A	S16656-5	1	S16656-5	1
16	OUTPUT STUDS COVER	M20007	2	M20007	2



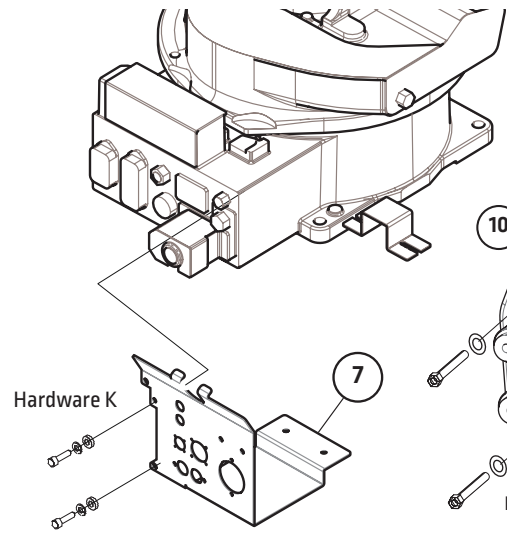
WARNING

ELECTRIC SHOCK CAN KILL

Turn off power to arm and feeder before installing dress out kit. Verify that power is not available to wirefeeder. Only qualified personnel should install Dress Out Kit.

Step 1

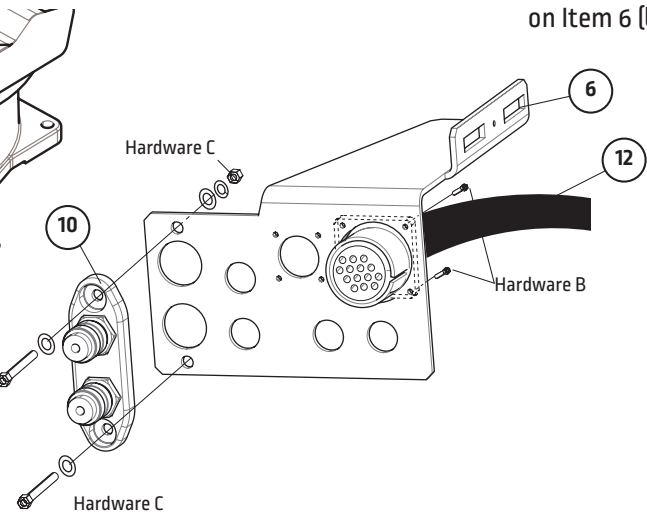
With Hardware K – Install Item 7 to the base of the robot. If any bolts are present, remove them and use the supplied bolts, lock washers and plain washers.



Step 2

With 1/2 Hardware C – Attach one Item 10 (water connection kit) to Item 6 (bulk head bracket A)

With 1/2 Hardware B – Attach the female end of Item 12 (control cable) to Item 6



Step 3

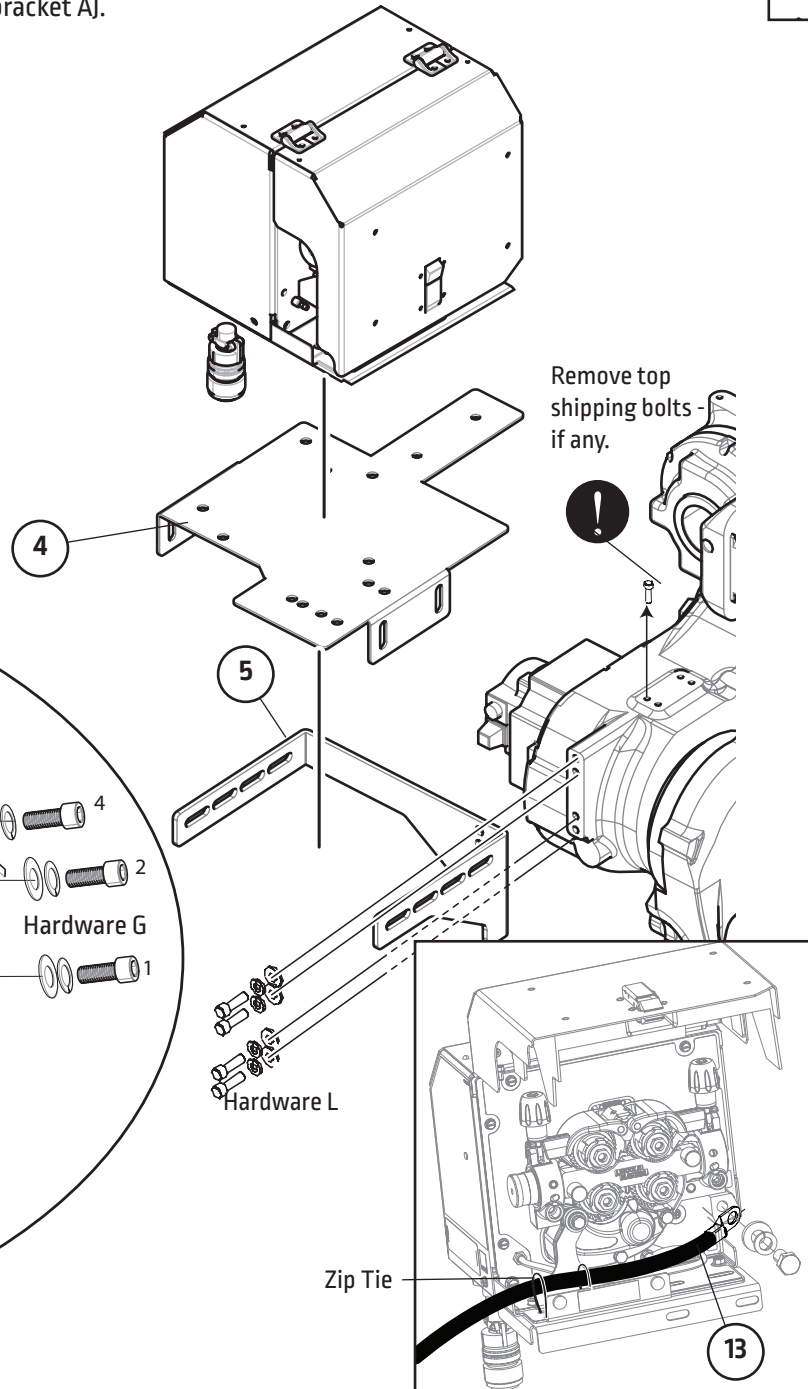
Remove top shipping bolts, if any. If the wire feeder comes with a bottom plate with downward bent flanged plate, remove it and use the same hardware to install the feeder on to Item 4 (wire feeder bracket Top).

With Hardware L – Mount Item 5 (feeder bottom bracket) to the robot.

With Hardware G – Fit Item 4 (wire feeder bracket Top) with the Feeder over Item 5 (wire feeder bracket bottom). Align mounting slots of the Item 6 to the bracket slots (formed between the Item 4 and Item 5) below the feeder door side. Insert screws, do not tighten them until all 5 sets are inserted.

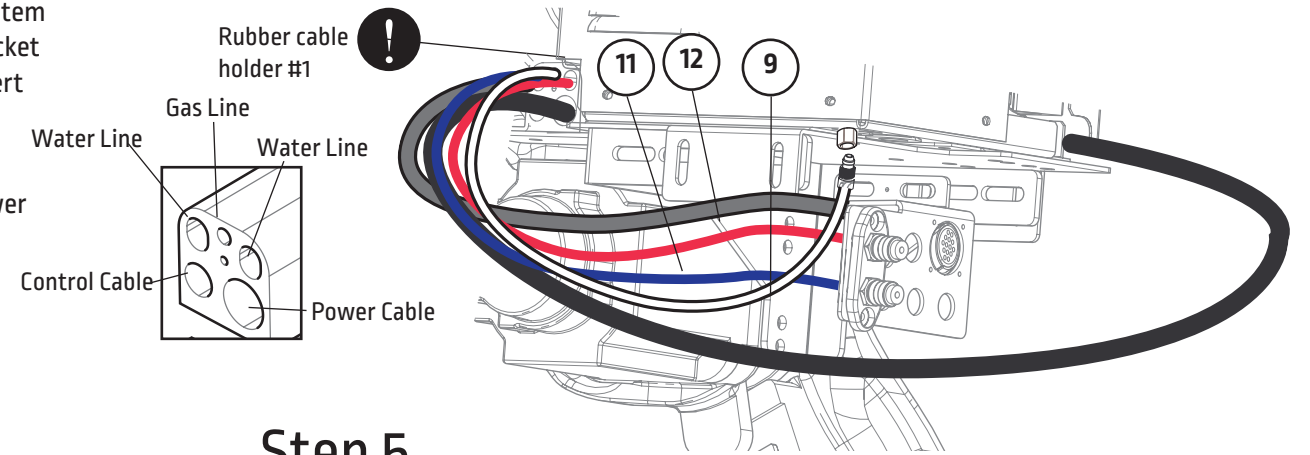
See feeder operator manuals for connections. Connect the flat end of Item 13 (power cable) to inside the feeder with hardware in the feeder. Route the power cable to exit through the back of the feeder.

Connect both red and blue water hoses to Item 10 (water connection kit) on Item 6 (bulk head bracket A).



Step 4

Connect Item 9 (gas hose assembly) to the gas inlet on the back corner of the Wire Feeder. Route the gas hose, water hoses, control cable and power cable through 4 Item 1's (rubber cable holders). The rubber holder that is closest to the wire feeder is #1; then #2 through #4 as they are away from the wire feeder.



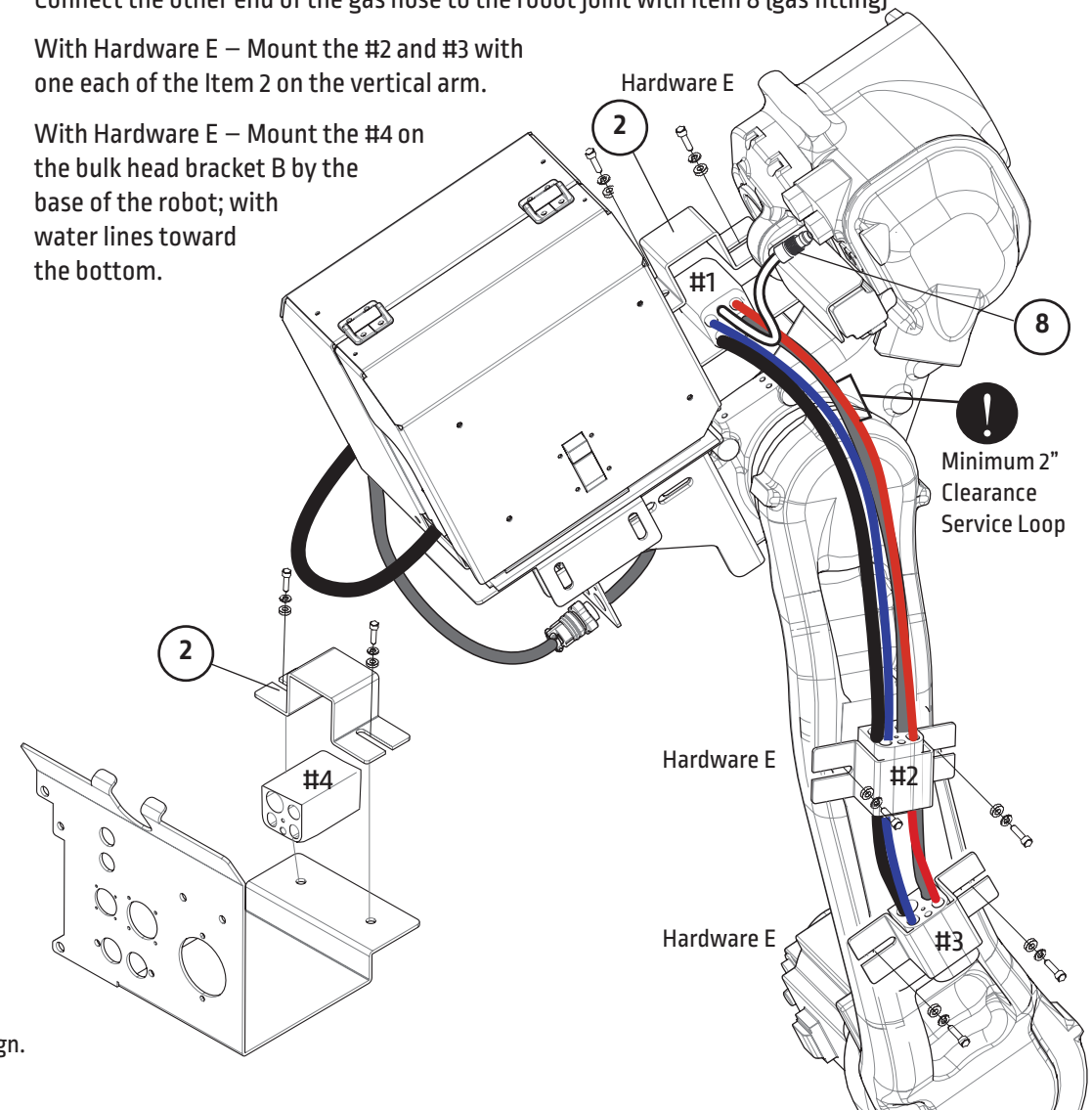
Step 5

With Hardware E – Mount the #1 rubber holder with one Item 2 (cable holder bracket top) onto the front of the feeder and on top of the feeder bracket. Orient the power cable and the control cable toward the robot arm. Locate and bundle the cables and hoses with the rubber holders and brackets, so that they can freely move with the robot's motion.

Connect the other end of the gas hose to the robot joint with Item 8 (gas fitting)

With Hardware E – Mount the #2 and #3 with one each of the Item 2 on the vertical arm.

With Hardware E – Mount the #4 on the bulk head bracket B by the base of the robot; with water lines toward the bottom.



Step 3 connection detail - underneath view from back, Item 6 attachments not shown for clarity