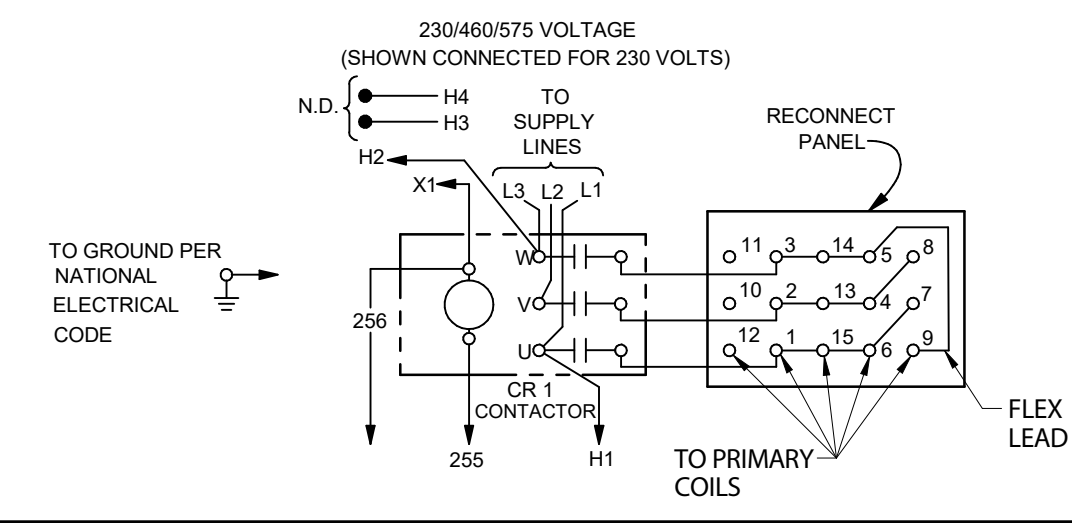
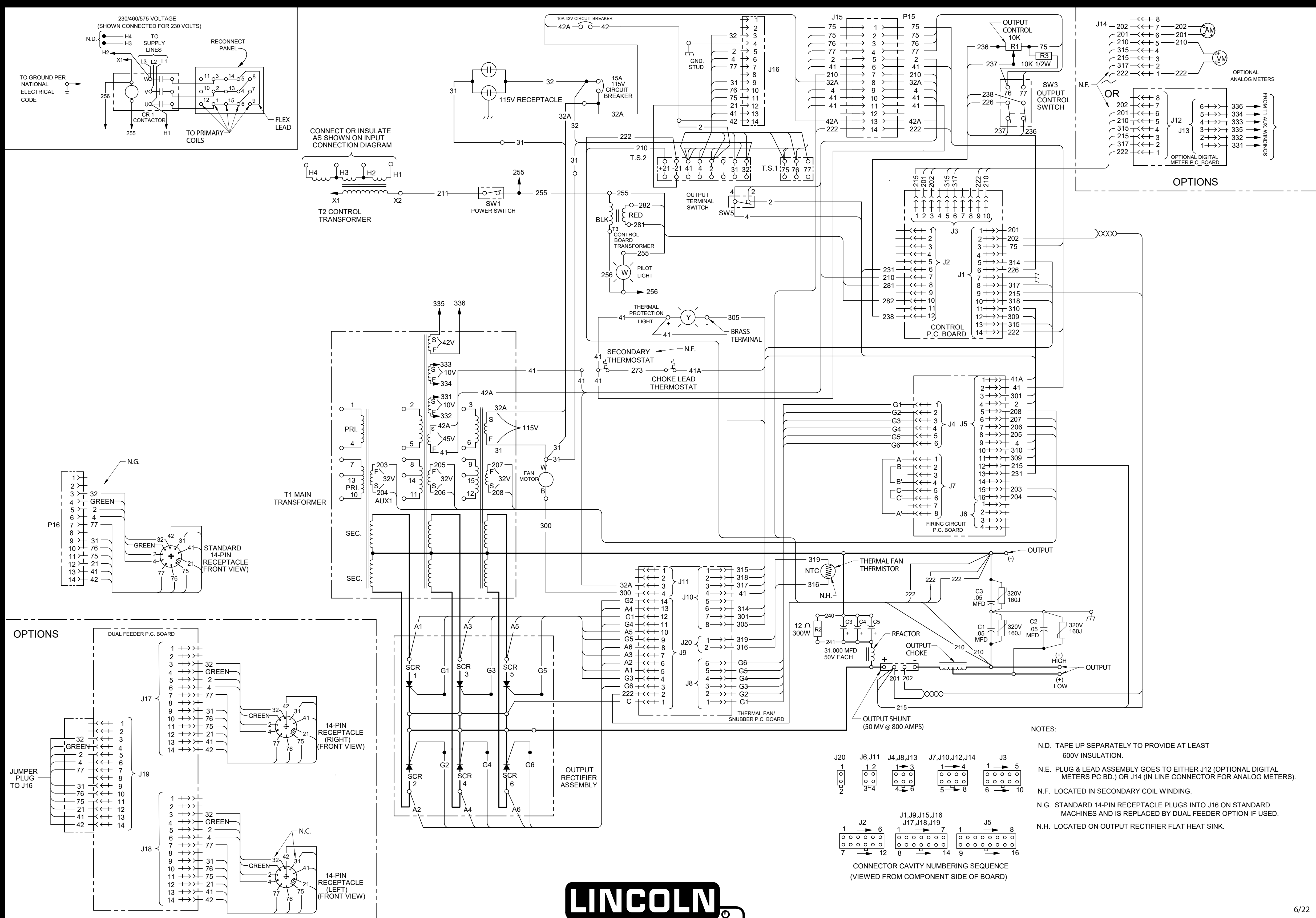
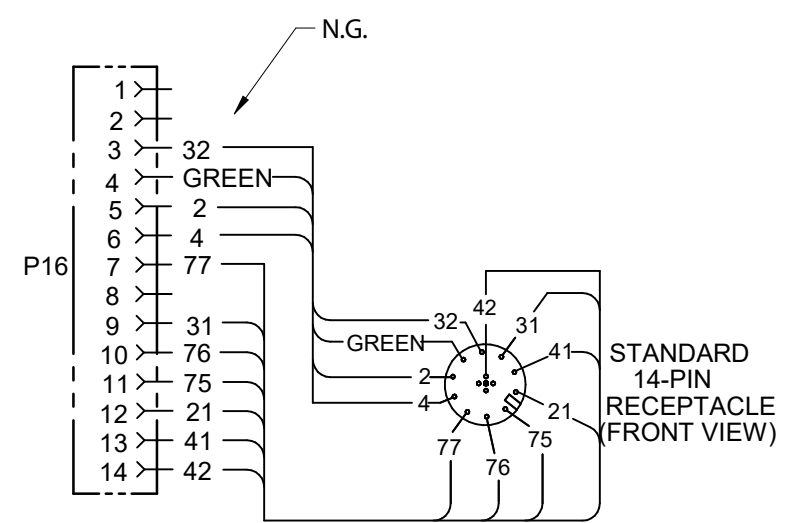
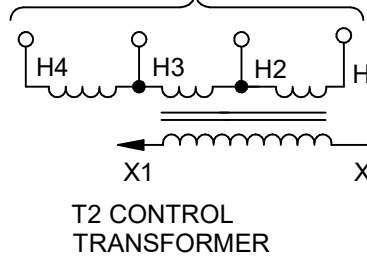


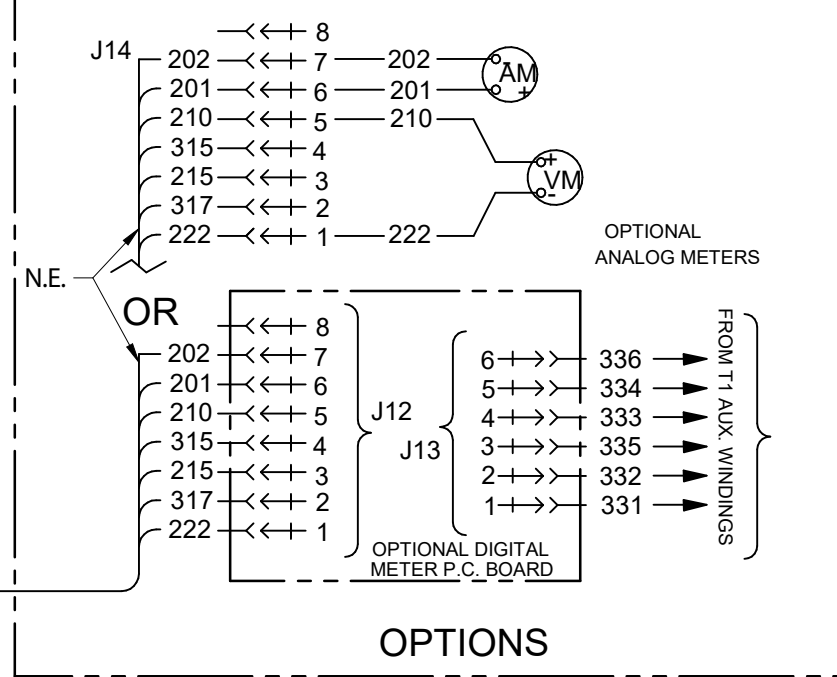
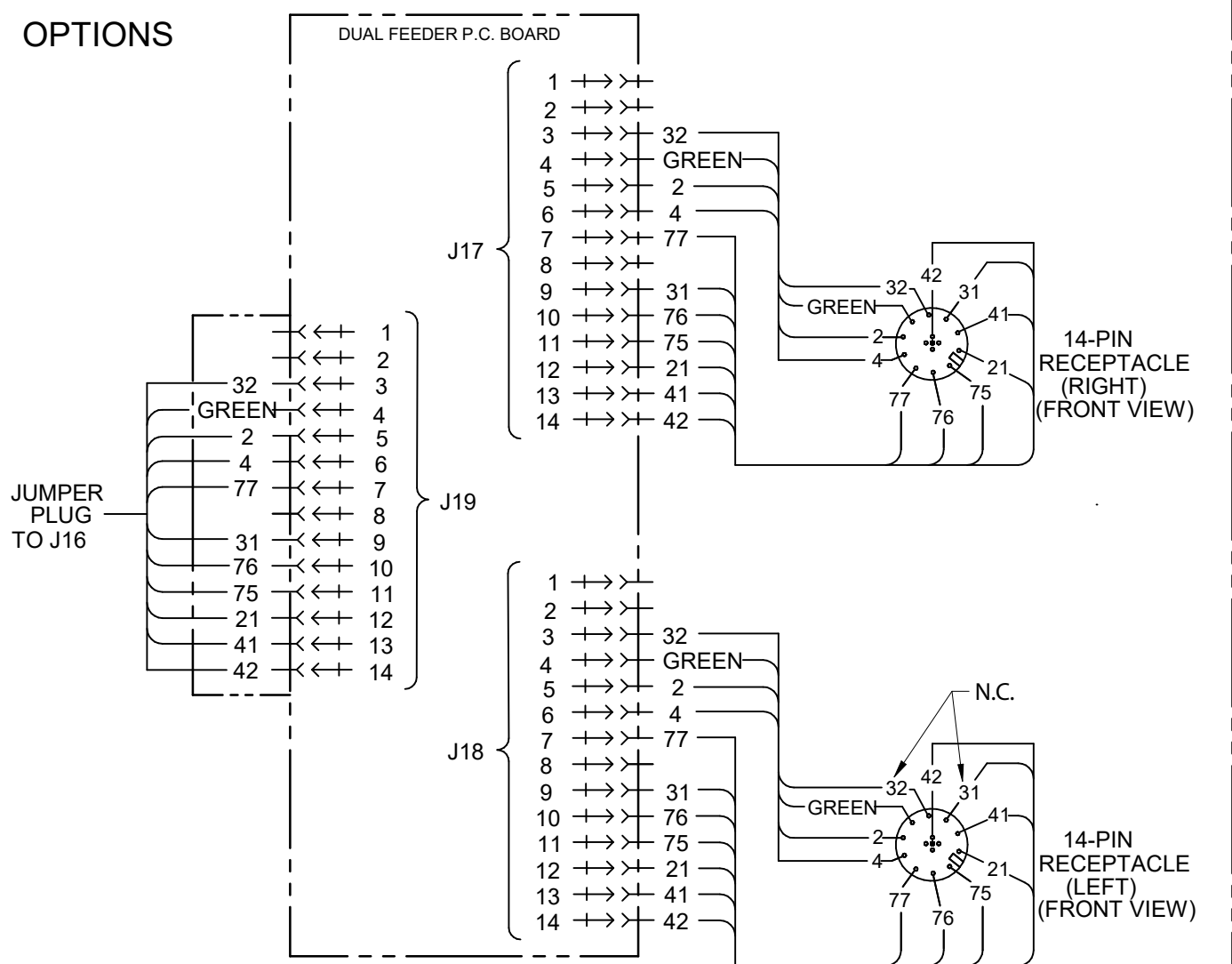
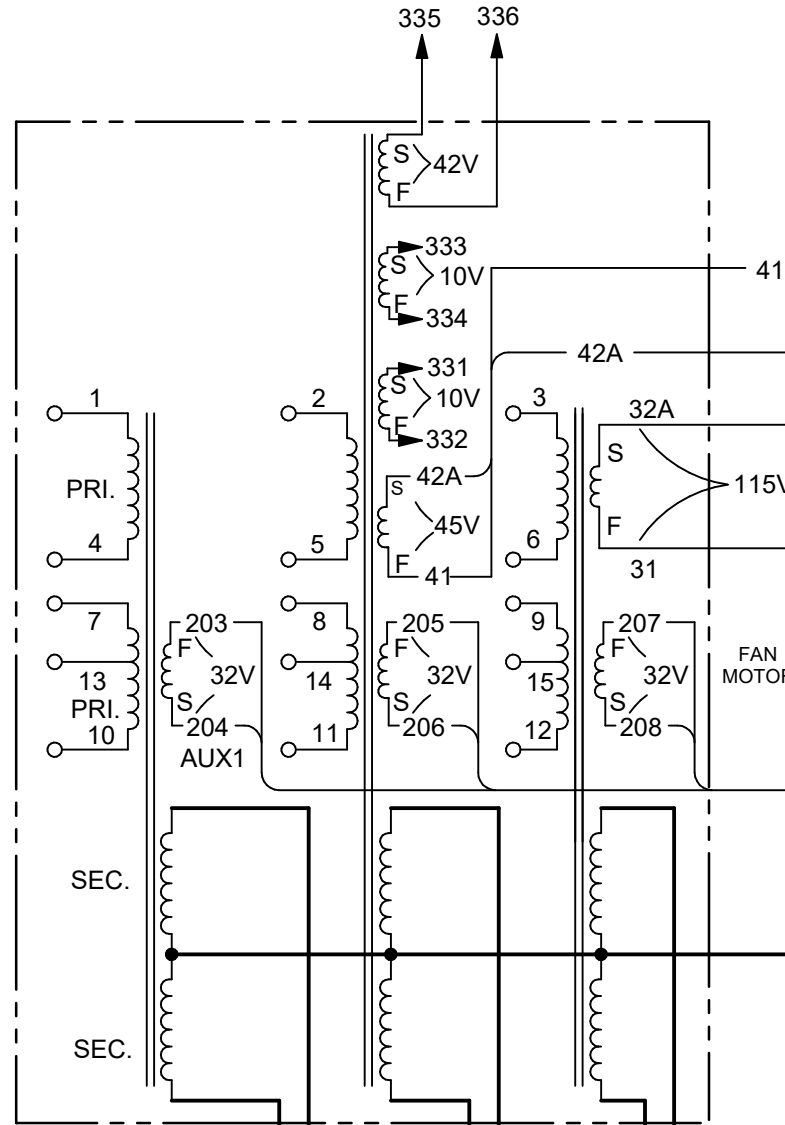
# CV-655 (60 Hz CANADIAN) WIRING DIAGRAM G3038-1 REV: A



CONNECT OR INSULATE AS SHOWN ON INPUT CONNECTION DIAGRAM



**T1 MAIN TRANSFORMER**



CLEVELAND, OHIO U.S.A.

- NOTES:**
- N.D. TAPE UP SEPARATELY TO PROVIDE AT LEAST 600V INSULATION.
  - N.E. PLUG & LEAD ASSEMBLY GOES TO EITHER J12 (OPTIONAL DIGITAL METERS PC BD.) OR J14 (IN LINE CONNECTOR FOR ANALOG METERS).
  - N.F. LOCATED IN SECONDARY COIL WINDING.
  - N.G. STANDARD 14-PIN RECEPTACLE PLUGS INTO J16 ON STANDARD MACHINES AND IS REPLACED BY DUAL FEEDER OPTION IF USED.
  - N.H. LOCATED ON OUTPUT RECTIFIER FLAT HEAT SINK.

