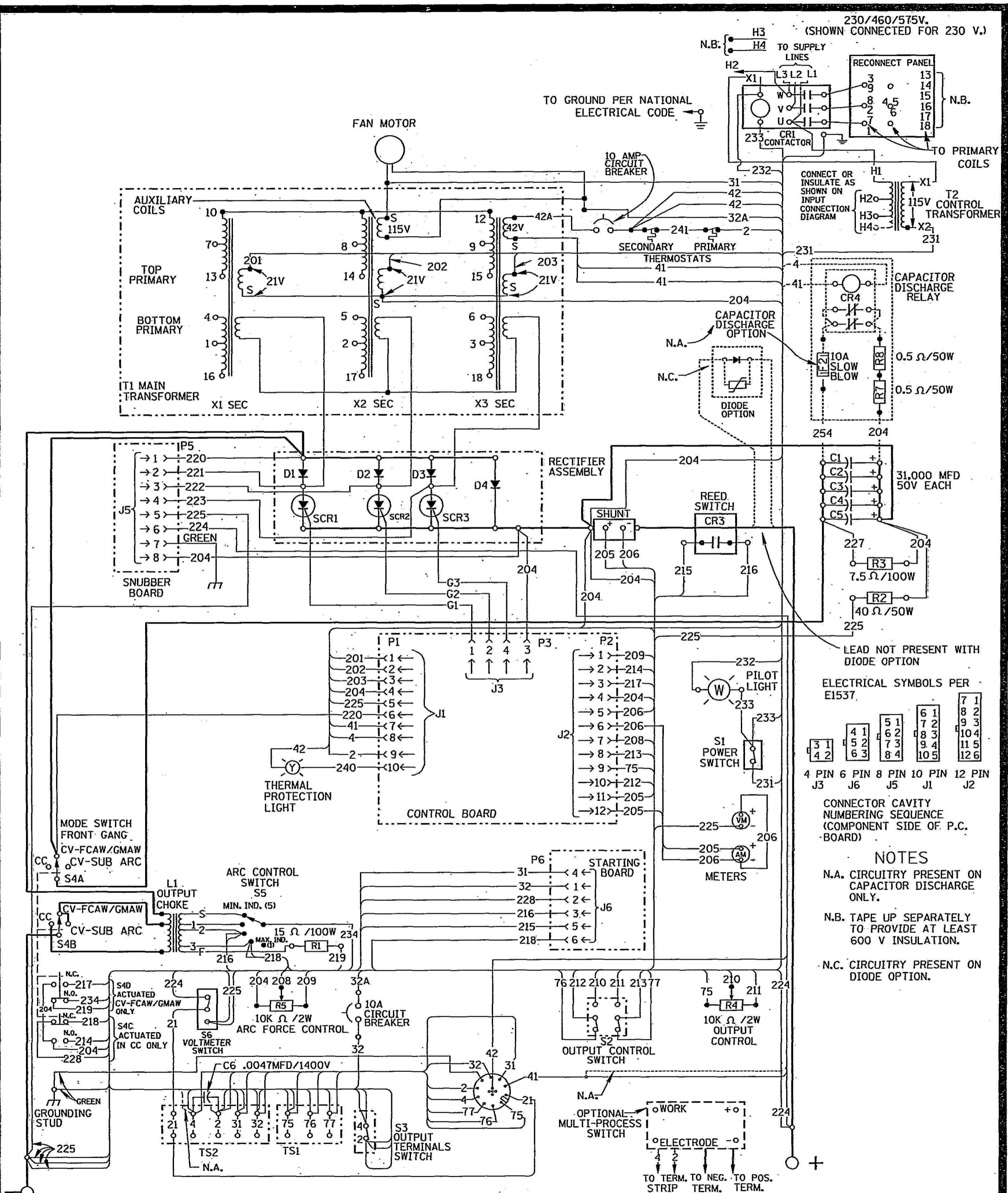


WIRING DIAGRAM L9107 REV:A



230/460/575V.
(SHOWN CONNECTED FOR 230 V.)

TO GROUND PER NATIONAL ELECTRICAL CODE

CONNECT OR INSULATE AS SHOWN ON INPUT CONNECTION DIAGRAM

CAPACITOR DISCHARGE RELAY

31,000 MFD
50V EACH

ELECTRICAL SYMBOLS PER E1537.

3 1	4 1	5 1	6 1	7 1
4 2	5 2	6 2	7 2	8 2
	6 3	7 3	8 3	9 3
		8 4	9 4	10 4
			10 5	11 5
				12 6

4 PIN 6 PIN 8 PIN 10 PIN 12 PIN
J3 J6 J5 J1 J2

CONNECTOR CAVITY NUMBERING SEQUENCE (COMPONENT SIDE OF P.C. BOARD)

NOTES

- N.A. CIRCUITRY PRESENT ON CAPACITOR DISCHARGE ONLY.
- N.B. TAPE UP SEPARATELY TO PROVIDE AT LEAST 600 V INSULATION.
- N.C. CIRCUITRY PRESENT ON DIODE OPTION.



CLEVELAND, OHIO U.S.A.