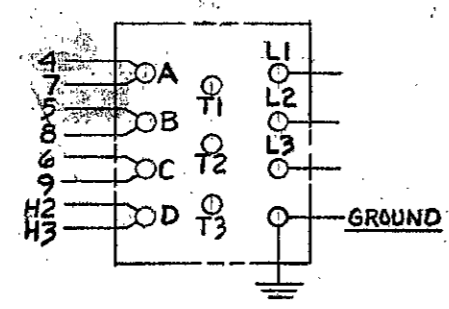


11921-W

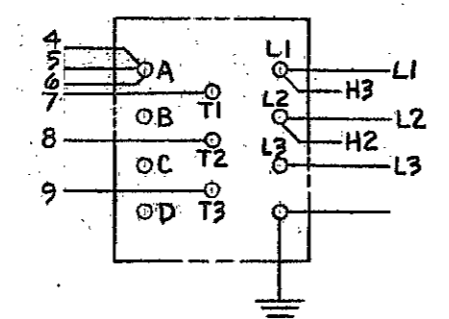
LEGEND

- C4 5 MFD
- C5 .022 MFD
- C6 .022 MFD
- D1 16 AMP
- D2 16 AMP
- D3 THYRECTOR DIODE
- D4 1 AMP
- D5 1 AMP
- D6 3 AMP
- D7 1 AMP
- D8 1 AMP
- E1 10 AMP
- L1 DC OUTPUT FILTER CHOKE
- R6 100 Ω
- R7 50 Ω
- R8 5.1 K Ω
- R9 1.8 K Ω
- R10 10K Ω POT
- R11 1.5 K Ω
- R12 10 K Ω POT
- R13 3.0 Ω 25 W
- R14 4.8 Ω 10 W
- R16 10 K Ω
- T1 MAIN TRANS
- T2 AUX TRANS
- MA1 MAG AMP
- MA2 MAG AMP
- MA3 MAG AMP
- S1 VOLTAGE CONTROL SWITCH
- S2 POWER ON-OFF SWITCH
- S3 CONTROL CIRCUIT SWITCH
- S4 OUTPUT VOLTAGE RANGE SWITCH
- ICR INPUT CONTACTOR
- RECT.1 MAIN POWER RECTIFIER
- RECT.3 CONTROL CIRCUIT RECTIFIER
- Q1 2N1540
- Q2 2N4125

**RECONNECT PANEL
HIGH VOLTAGE CONNECTION**

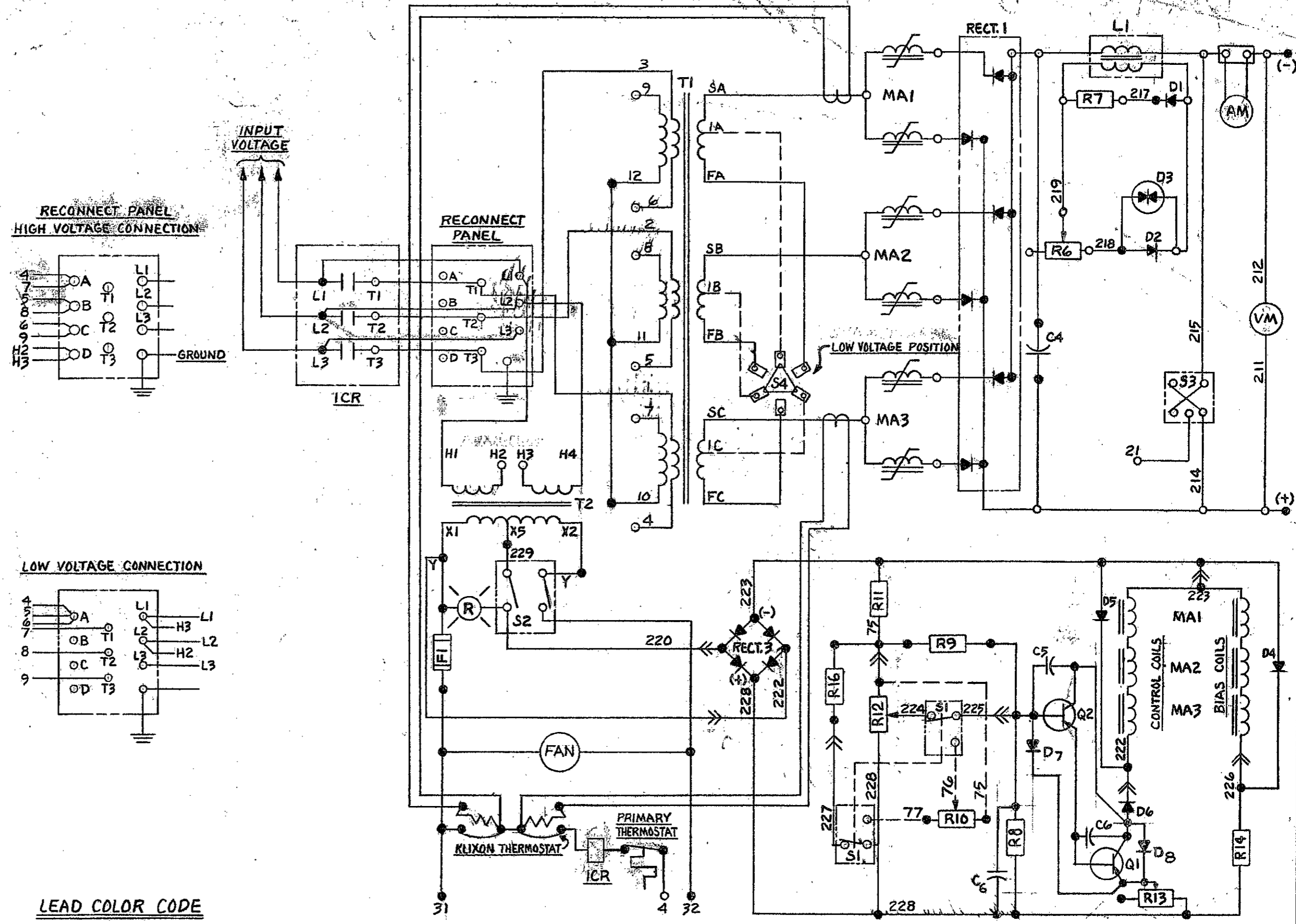


LOW VOLTAGE CONNECTION



LEAD COLOR CODE

Y- YELLOW



12-15-72 C
2-23-73

SUBJECT: R3S-250 SCHEMATIC WIRING DIAGRAM
THE LINCOLN ELECTRIC CO.
CLEVELAND, OHIO U.S.A.

M-12611

UNLESS OTHERWISE SPECIFIED TOLERANCE
ON 2 PLACE DECIMALS IS ±.02
ON 3 PLACE DECIMALS IS ±.002
ON ALL ANGLES IS ±.5 OF A DEGREE
MATERIAL TOLERANCE ("Y") TO AGREE
WITH PUBLISHED STANDARDS.

THE LINCOLN ELECTRIC CO.
CLEVELAND, OHIO U.S.A.
DATE 11-17-72 SCALE 1/4"

TYPE R3S-250
SUBJECT SCHEMATIC DIAGRAM
SUP'S'D DRG DR. CHK. SHEET NO. M-12611