

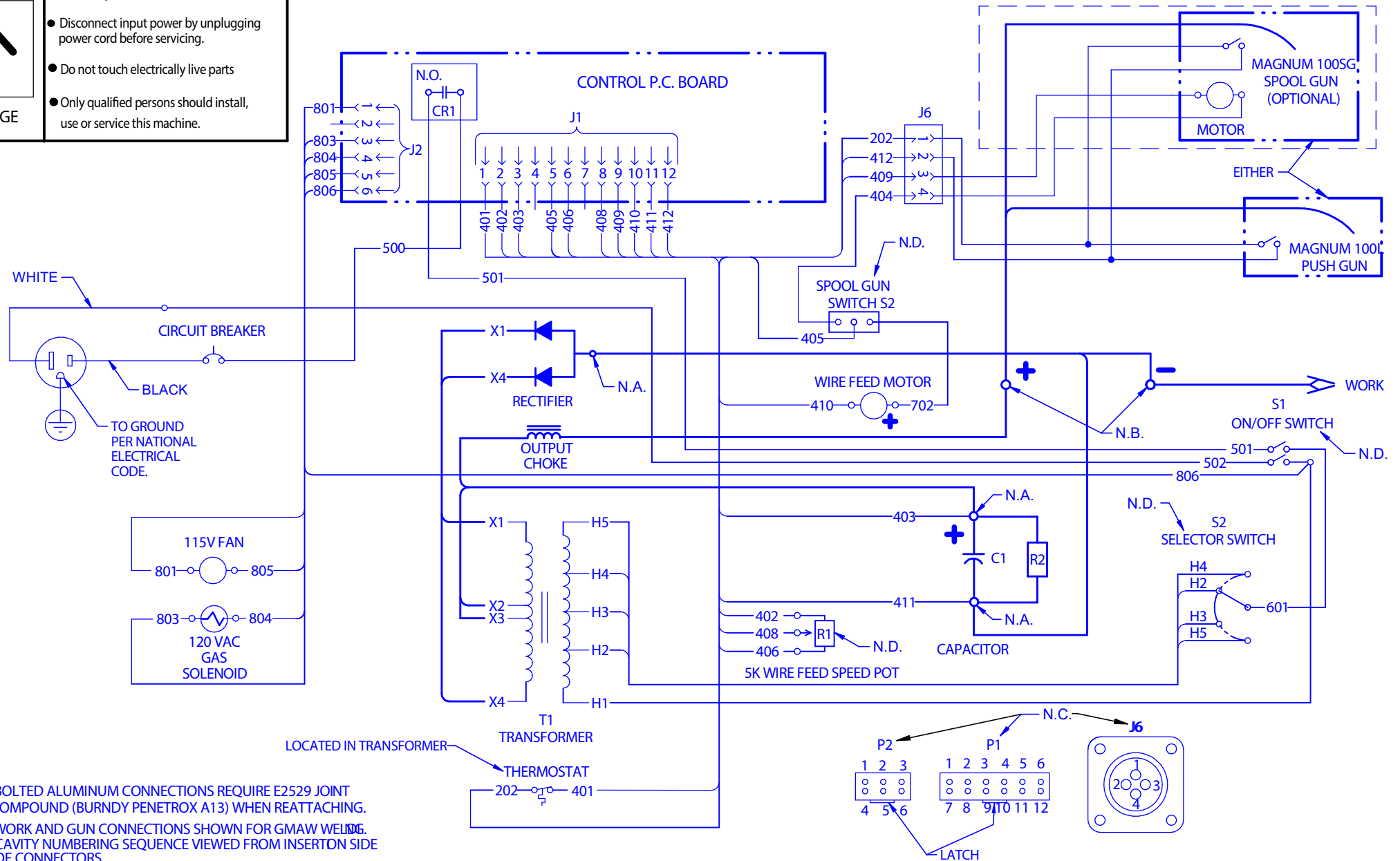
SMALL WIRE FEEDERS 140A WIRING DIAGRAM M24969 REV: A

WARNING



HIGH VOLTAGE
can kill

- Do not operate with covers removed.
- Disconnect input power by unplugging power cord before servicing.
- Do not touch electrically live parts
- Only qualified persons should install, use or service this machine.



NOTES:

- N.A. BOLTED ALUMINUM CONNECTIONS REQUIRE E2529 JOINT COMPOUND (BURNDY PENETROX A13) WHEN REATTACHING.
- N.B. WORK AND GUN CONNECTIONS SHOWN FOR GMAW WELDING.
- N.C. CAVITY NUMBERING SEQUENCE VIEWED FROM INSERTION SIDE OF CONNECTORS.
- N.D. COMPONENT VIEWED FROM REAR.



CLEVELAND, OHIO U.S.A.