

# CITOTIG 315DC & 415DC

---

Spare Parts.....	1
Figure A: 315 DC Machine Assembly .....	2
Figure B: 415 DC Machine Assembly .....	4
Electrical Schematic .....	5
CODE: 50600.....	5
CODE: 50602.....	6



# Spare Parts

SP50600 REV04  
08/2021

ASSEMBLY PAGE NAME			Machine Assembly	Miscellaneous Items				
CODE NO.:	K NO.:	FIGURE NO.:	A	-				
50600	W000403581	CITOTIG 315 DC	1	-				

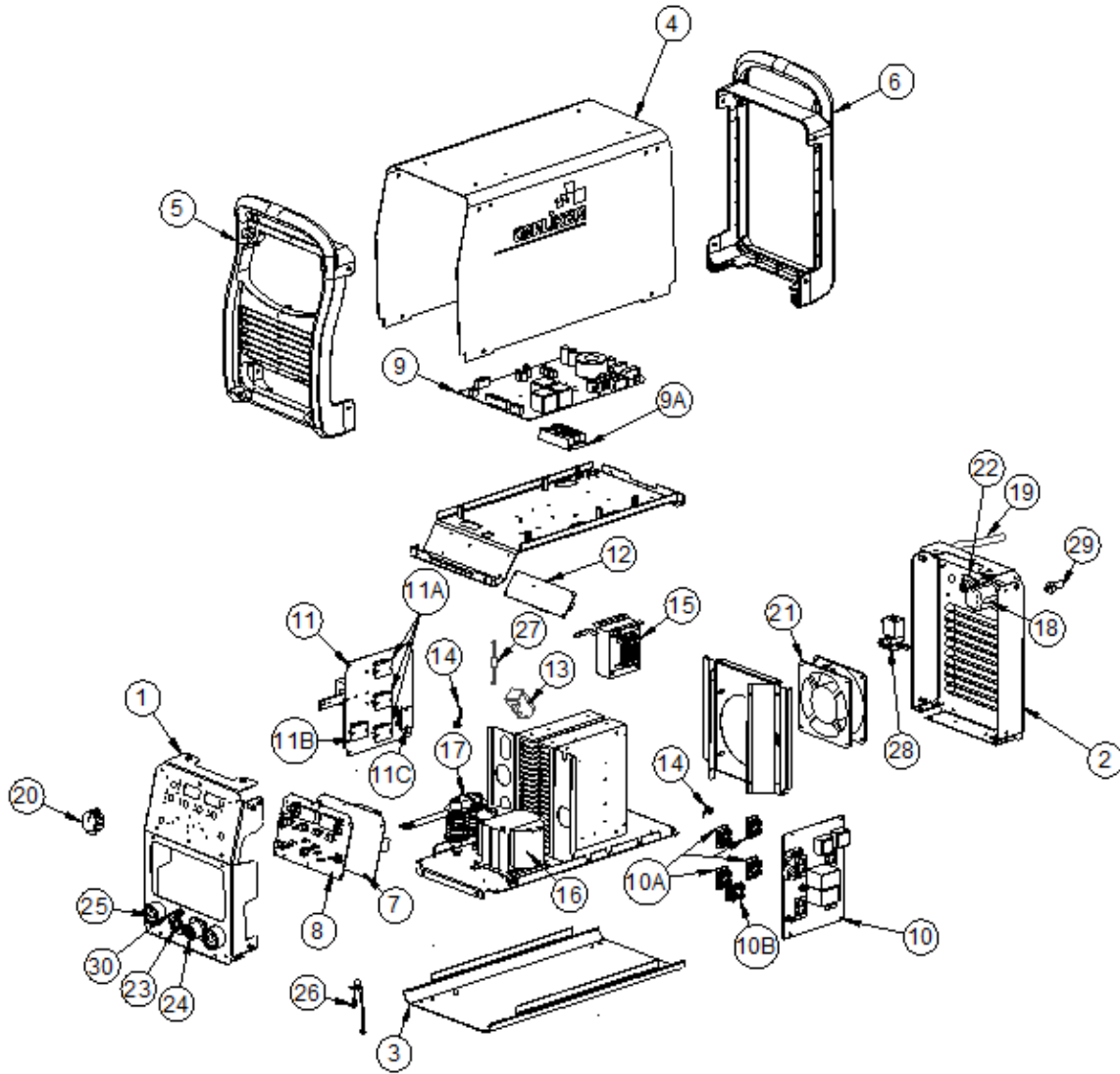


Figure A.

**Figure A: 315 DC Machine Assembly**

Item	Description	Part Number	QTY	1	2	3	4	5	6
1	FRONT FRAME	R-8040-425-2R	1	X					
2	REAR FRAME	W93X1362R	1	X					
3	BOTTOM FRAME	W93X1421R	1	X					
4	WRAPAROUND	R-1019-518-2R	1	X					
5	FRONT PANEL	R-0010-681-1R	1	X					
6	BACK PANEL	R-0010-682-1R	1	X					
7	CONTROL P.C. BOARD	W05X1687R	1	X					
8	DISPLAY P.C. BOARD	W05X1330-3R	1	X					
9	INPUT P.C. BOARD	W05X1328R	1	X					
9A	+ INPUT RECTIFIER	W4100012R	1	X					
10	INVERTER P.C. BOARD	Y082-1R	1	X					
10A	+ POWER IGBT	W431A2210AR	4	X					
10B	+ POWER RESISTOR	W1810010R	1	X					
11	OUTPUT P.C. BOARD	W05X1326-2R	1	X					
11A	+ OUTPUT DIODE	W4010040R	3	X					
11B	+ DOUBLER BRIDGE	W4100020R	1	X					
11C	+ POWER RESISTOR	W1810010R	1	X					
12	HF P.C. BOARD	W05X1615R	1	X					
13	HALL SENSOR	W4900004R	1	X					
14	THERMOSTAT SENSOR	W9600081R	2	X					
15	OUT INDUCTOR	W58X1336R	1	X					
16	OUT TRANSFORMER	W59X1334R	1	X					
17	HF TRANSFORMER	W59X1401R	1	X					
18	SWITCH	W7511707R	1	X					
19	INPUT CORD	W78X1201R	1	X					
20	KNOB	R-8040-431-2R	1	X					
21	FAN	W66X1369R	1	X					
22	WATER COOLER CONNECTOR	W6861008R	1	X					
23	TRIGGER TORCH CONNECTOR	W6860032R	1	X					
24	REMOTE CONTROL CONNECTOR	W6860030R	1	X					
25	DINSE CONNECTOR	W7690350R	2	X					
26	ASSEMBLE CAP. 4n7 250Vac	W66X1248R	1	X					
27	ASSEMBLE CAP. 47nF 2000Vdc	W66X1407R	1	X					
28	SOLENOID VALVE	W8500011R	1	X					
29	FITTING 1/4-1/8 + NUT 1/4	W8896074R	1	X					
30	FITTING QUICK CONNECTION PU 1/8	W8800082R	1	X					

ASSEMBLY PAGE NAME			Machine Assembly	Miscellaneous Items				
CODE NO.:	K NO.:	FIGURE NO.:	A	-				
50602	W000403583	CITOTIG 415 DC	-	1				

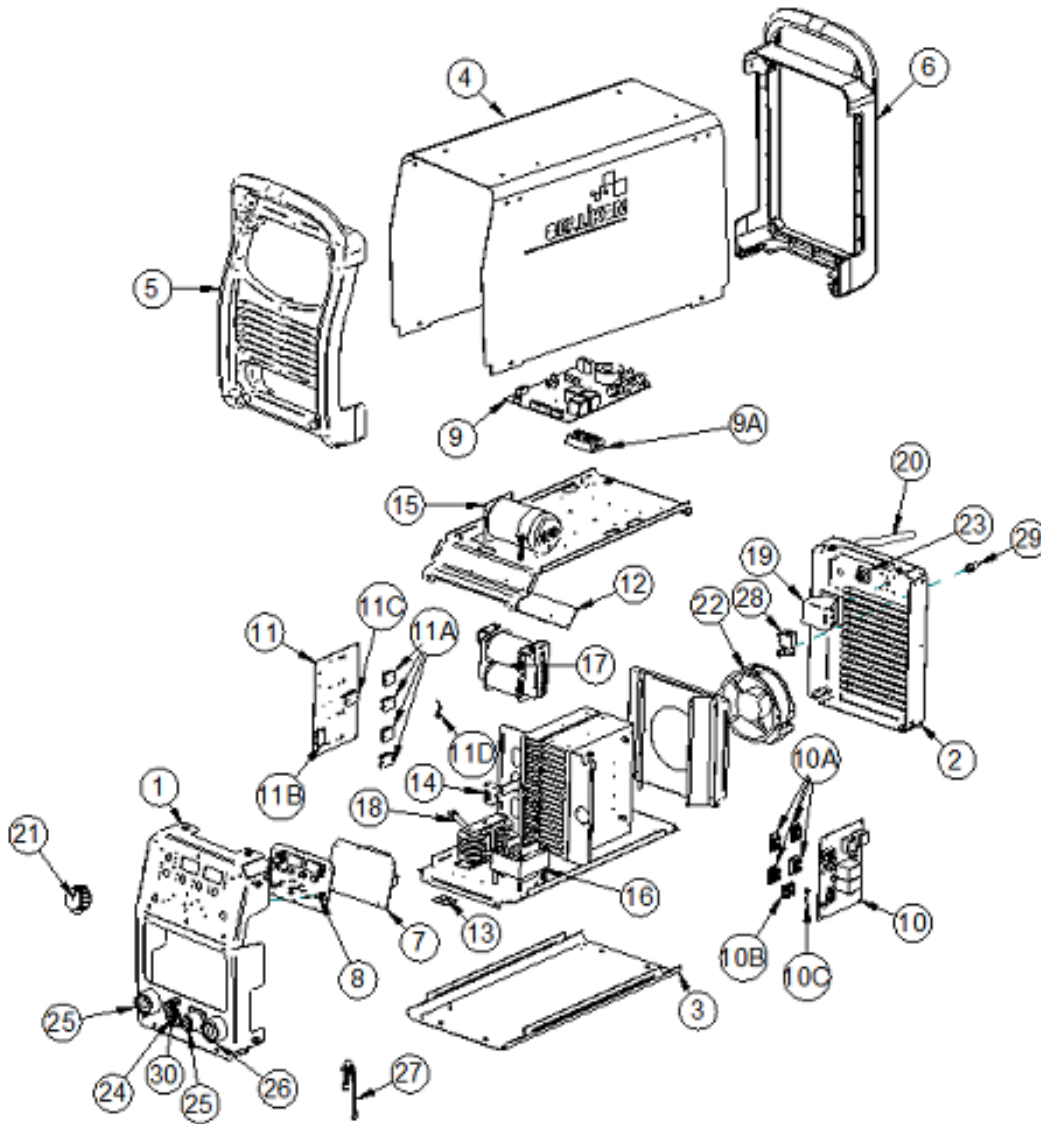


Figure B.

**Figure B: 415 DC Machine Assembly**

Item	Description	Part Number	QTY	1	2	3	4	5	6
1	FRONT FRAME	R-8040-424-2R	1	X					
2	REAR FRAME	W93X1426R	1	X					
3	BOTTOM FRAME	W93X1421R	1	X					
4	WRAPAROUND	R-1019-527-2R	1	X					
5	FRONT PANEL	R-0010-683-1R	1	X					
6	BACK PANEL	R-0010-684-1R	1	X					
7	CONTROL P.C. BOARD	W05X687R	1	X					
8	DISPLAY P.C. BOARD	W05X1330-3R	1	X					
9	INPUT P.C. BOARD	W05X1328-2R	1	X					
9A	+ INPUT RECTIFIER	W4100012R	1	X					
10	INVERTER P.C. BOARD	Y082-2R	1	X					
10A	+ POWER IGBT	W431A2210AR	4	X					
10B	+ POWER RESISTOR	W1810010R	1	X					
10C	+ THERMOSTAT SENSOR	W2510070R	1	X					
11	OUTPUT P.C. BOARD	W05X1442R	1	X					
11A	+ OUTPUT DIODE	W4010040R	4	X					
11B	+ DOUBLER BRIDGE	W4100020R	1	X					
11C	+ POWER RESISTOR	W1810010R	1	X					
11D	+ THERMOSTAT SENSOR	W9600071R	1	X					
12	HF P.C. BOARD	W05X1615R	1	X					
13	CAPACITOR P.C. BOARD	W05X1516-1R	1	X					
14	HALL SENSOR	W4900004R	1	X					
15	D.C. BUS SCREW CAPACITOR	W3880060R	1	X					
16	OUT INDUCTOR	W58X1440R	1	X					
17	OUT TRANSFORMER	W59X1441R	1	X					
18	HF TRANSFORMER	W59X1444R	1	X					
19	SWITCH	W7511706R	1	X					
20	INPUT CORD	W78X0853R	1	X					
21	KNOB	R-8040-431-2R	1	X					
22	FAN	W66X1369R	1	X					
23	WATER COOLER CONNECTOR	W6861008R	1	X					
24	TRIGGER TORCH CONNECTOR	W6860032R	1	X					
25	REMOTE CONTROL CONNECTOR	R-5041-312-1R	1	X					
26	DINSE CONNECTOR	W7690350R	2	X					
27	EMI CAPACITOR ASSEMBLY	R-5141-044-1R	1	X					
28	SOLENOID VALVE	W8500011R	1	X					
29	FITTING 1/4-1/8 + NUT 1/4	W8896074R	1	X					
30	FITTING QUICK CONNECTION PU 1/8	W8800082R	1	X					

# Electrical Schematic

CODE: 50600

