

# SEAL-SEAT<sup>®</sup>

## HARRIS REPAIR KITS

COMPONENT PARTS FOR:

REGULATOR 25GX | CUTTING TORCH 62-5 | FLOWMETER 355



**SEAL-SEAT**<sup>®</sup>

## OVER 60 YEARS OF EXPERIENCE IN PROVIDING COMPONENTS PARTS TO EXACT OEM SPECIFICATIONS

We supply a broad range of component parts to customers' exact specifications - from single-element parts to multi-part assemblies. Our experienced professionals have extensive expertise in fabricating, machining, tooling, molding, and punching.

### WE REGULARLY WORK IN:

Brass  
Stainless steel  
Nylon  
Teflon<sup>®</sup>  
KEL-F<sup>®</sup>

### VARIOUS RUBBER COMPOUNDS

#### SUCH AS:

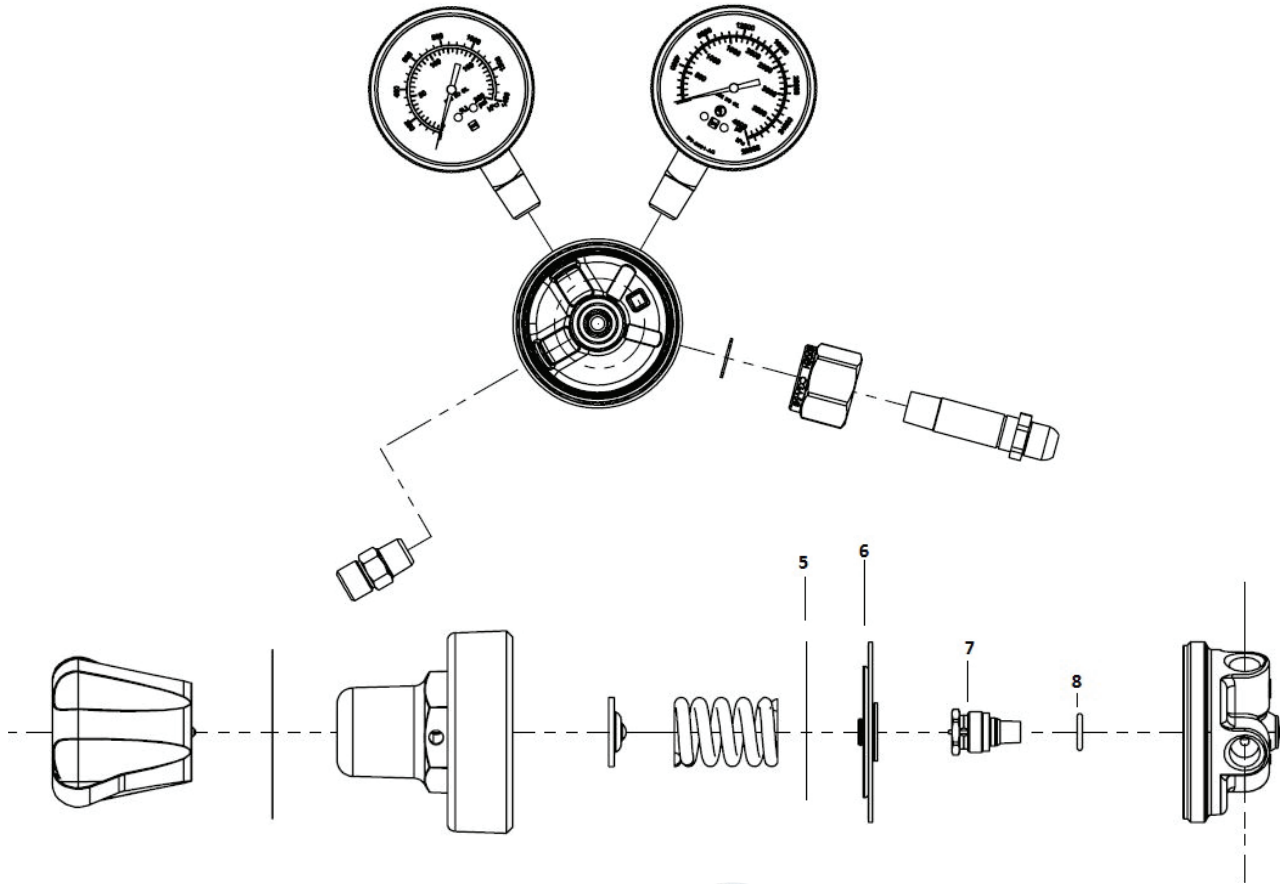
Neoprenes  
Viton<sup>®</sup>  
Nitrile  
Chloroprene  
Buna

## WE PARTNER WITH OUR CUSTOMERS AND SUPPLIERS TO PROVIDE AN UNPARALLELED LEVEL OF SERVICE AND VALUE WITH AN EMPHASIS ON QUALITY

Whether developing parts for new products or providing replacements, Seal-Seat<sup>®</sup> is committed to the values of quality, service and integrity.

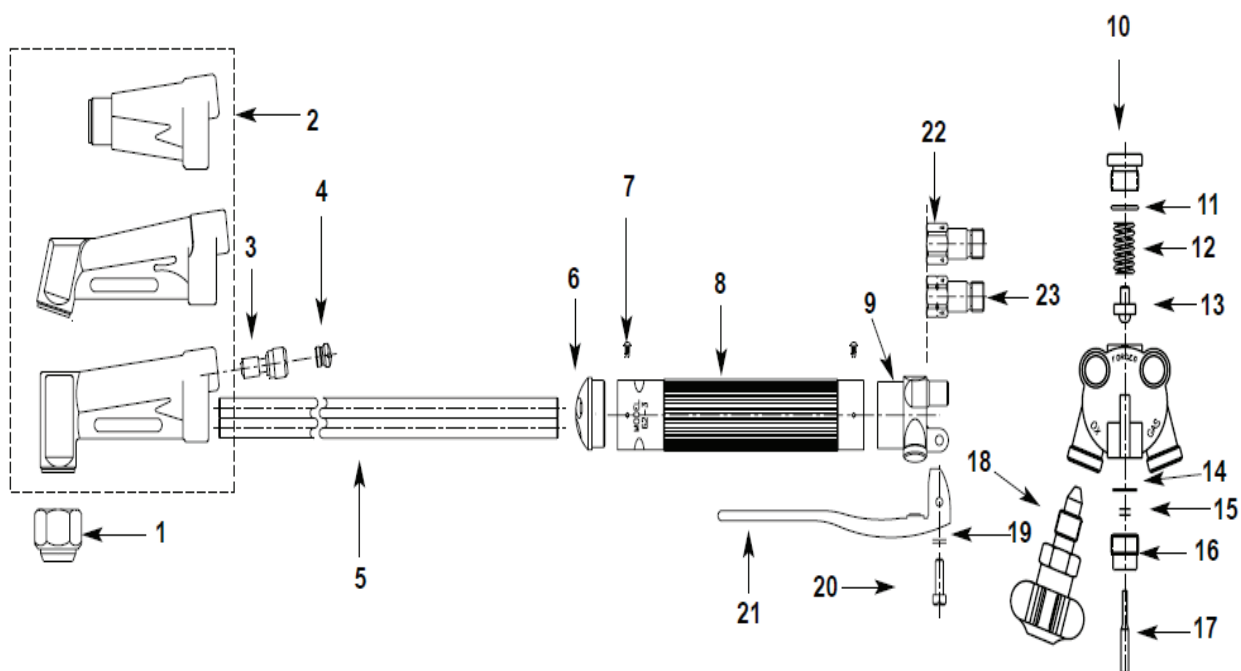
To assure maximum product quality, we employ accepted, time-proven methods of quality control, before, during, and after production. This includes 100% inspection of critical items. In addition, our long-term relationships with an extensive network of suppliers guarantees the best possible raw materials.

# REPAIR KIT FOR HARRIS REGULATOR 25GX P/N: H -RK-25GX



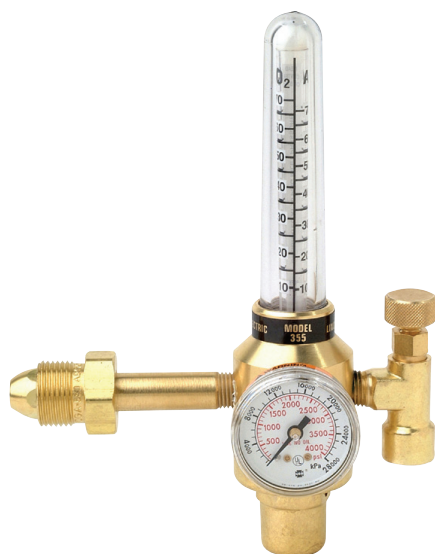
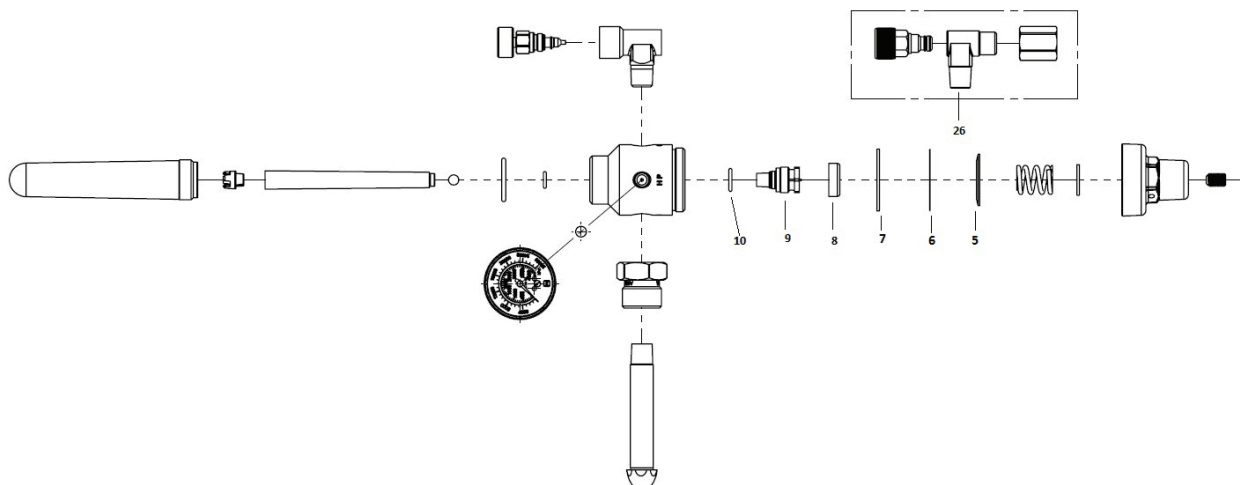
REFERENCE	PART NUMBER	MODEL	DESCRIPTION
5	9001230	2571	RING-SLIP
6	9100146	B-25	DIAPH-ASY, B-25 OXYGEN
6	9100803	B-25	DIAPH-ASY, B-25 FUEL GAS
7	9100845	A-301	VALVE-ASSY.,105 W/PTFE HCB
8	9005112	30196	SEAL, VALVE ASY/905-2347

# REPAIR KIT FOR HARRIS CUTTING TORCH 62-5 P/N: H -RK-62-5



REFERENCE	PART NUMBER	MODEL	DESCRIPTION
1	9002560	6259B	TIP NUT
10	9002472	6219-2A	CAP
11	9004612	5057A	O-RING
12	9002564	6285-1	SPRING
13	9100507	B-62-A	VALVE SEAT
14	9002486	6239	GASKET
15	9004574	6D	O-RING
16	9002562	6277-A	SCREW
17	9002548	6266	PLUNGER

# REPAIR KIT FOR HARRIS FLOWMETER 355 P/N: H -RK-355



REFERENCE	PART NUMBER	MODEL	DESCRIPTION
5	9000638	60133A	PLATE BACKING
6	9000635	60171	RING-SLIP
7	9000639	60132	DIAPHRAGM
8	9000641	60133	CAP
9	9100843	A-301-0	VALVE ASSY.
10	9005112	30196	SEAL VALVE ASY/905-2347
26	8801061	35510-3	BODY RH N.V.-OUTLET



## PARTS AND ASSEMBLIES

Diaphragms | Seats | Nozzles | Nuts | Valves | Coils

**Looking for a unique or hard to find part?**  
**Our customer service department can locate most parts quickly.**

**Customer Service: 1-800.972.2233**

**Fax: 626.363.8964**

**[sales@sealseat.com](mailto:sales@sealseat.com)**

**[www.sealseat.com](http://www.sealseat.com)**

**SEAL-SEAT®**

Seal-Seat  
9160 Norwalk Boulevard  
Santa Fe Springs, CA 90670  
Customer Service: 1-800.972.2233  
Fax: 626.363.8964  
[sales@sealseat.com](mailto:sales@sealseat.com)  
[www.sealseat.com](http://www.sealseat.com)



PN: