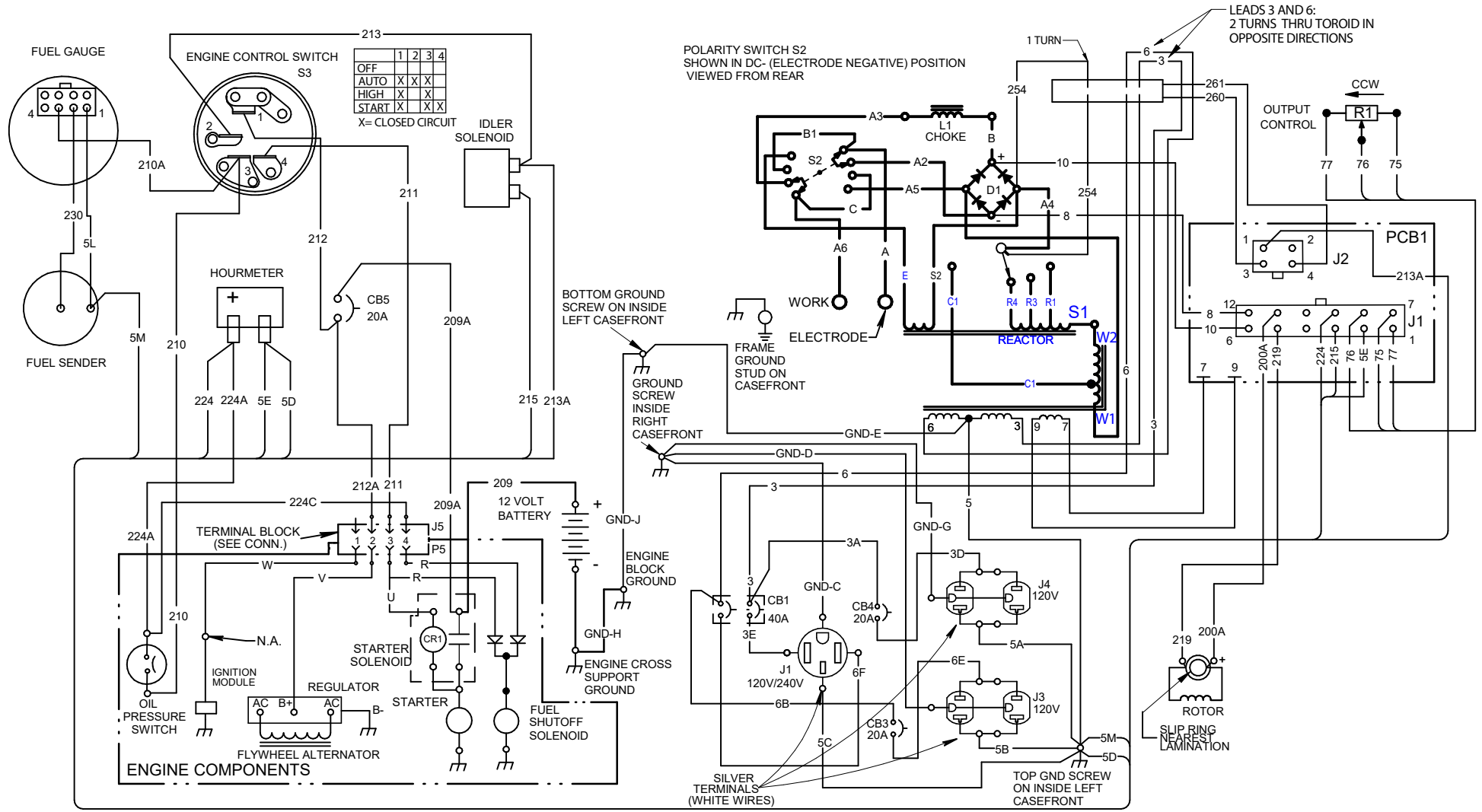


# RANGER 225 GXT WIRING DIAGRAM M21812 REV: A



	1	2	3	4
OFF		X	X	X
AUTO	X	X	X	X
HIGH	X	X	X	X
START	X	X	X	X

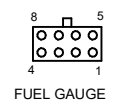
X = CLOSED CIRCUIT

POLARITY SWITCH S2 SHOWN IN DC- (ELECTRODE NEGATIVE) POSITION VIEWED FROM REAR

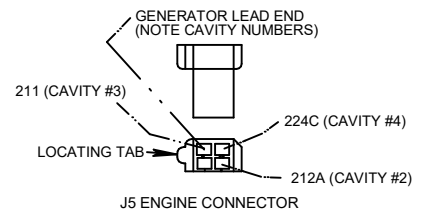
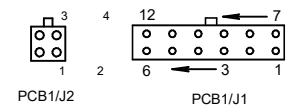
LEADS 3 AND 6: 2 TURNS THRU TOROID IN OPPOSITE DIRECTIONS

N.A. GROUNDING THIS TERMINAL STOPS THE ENGINE.

**LEAD COLOR CODE:**  
 B = BLACK OR GRAY    U = BLUE  
 R = RED OR PINK      V = VIOLET  
 W = WHITE



CONNECTOR PIN NUMBERS:



ALL CASE FRONT COMPONENTS SHOWN VIEWED FROM REAR.



CLEVELAND, OHIO U.S.A.