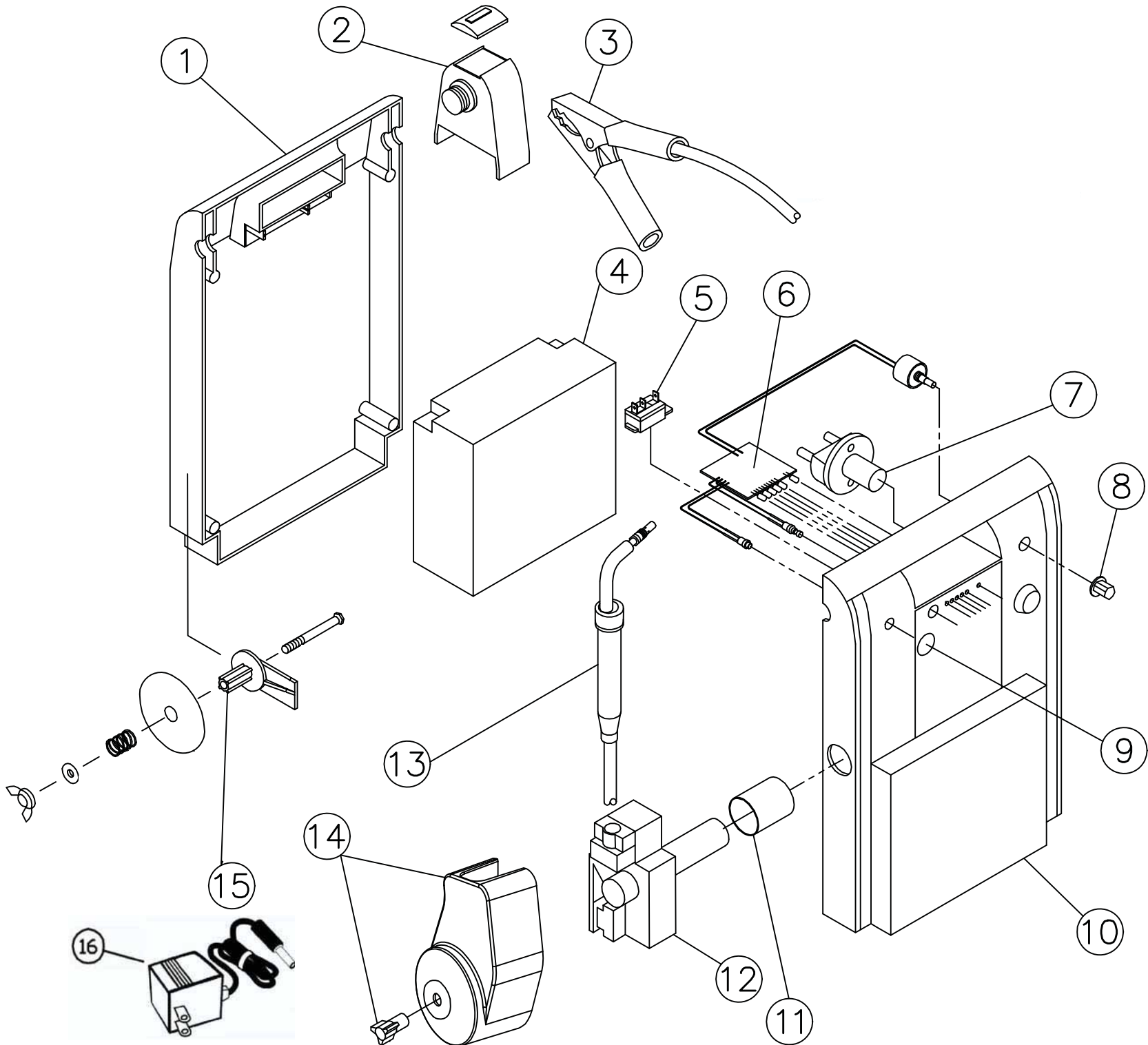


# 117-081, 2135a, WFW2135a, M12191



# 117-081, 2135a, WFW2135a, M12191

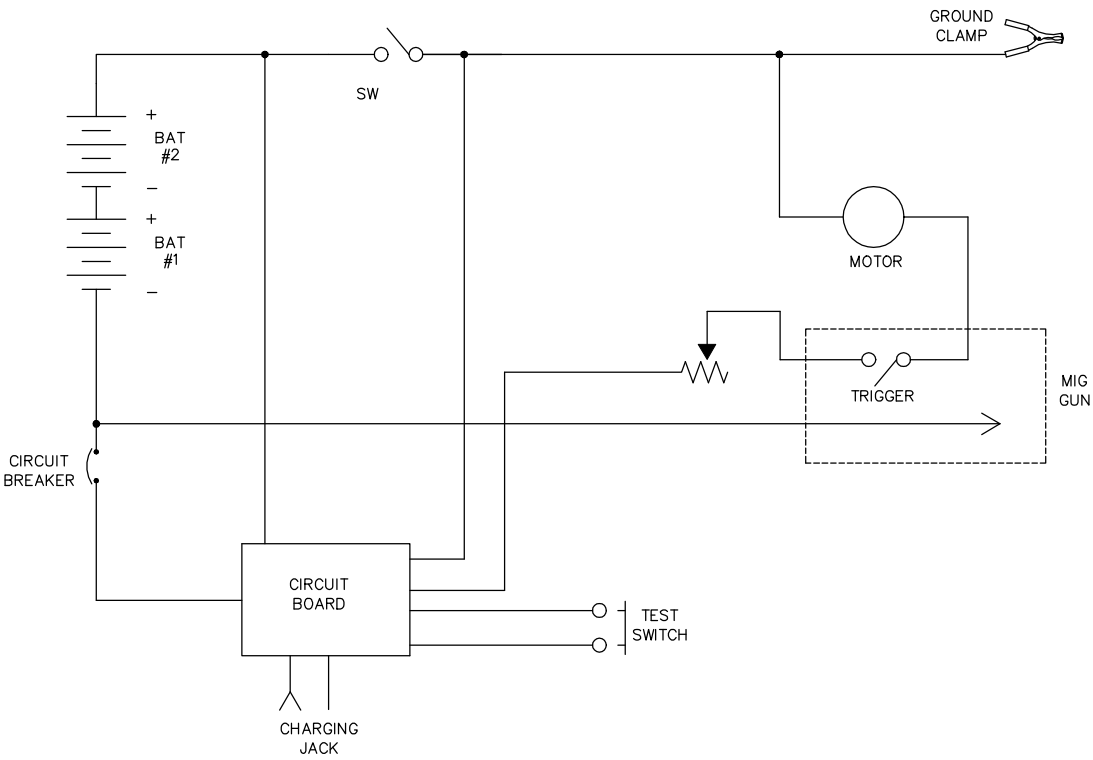
Item	Lincoln Stock #	Customer #	Description
1		312-359-000, <b>312-326-000</b>	Case Back
2		<b>312-279-000</b>	Neg. Holster & Cap
3	238-704-666	238-491-666	Ground cable assy.
4		<b>ES1217</b>	Battery, 12V, 17AH, AGM (requires 2)
5		<b>246-416-666</b>	Circuit Breaker
6	Repair	880-437-666	Circuit Board
7		<b>246-425-000</b>	Key Switch
		<b>312-301-000</b>	Key for switch
8		246-470-000	Knob
9		<b>312-277-000</b>	Test Button
10		312-344-000, <b>312-371-000</b> <b>(need to drill holes)</b>	Case Front
11		312-265-000	Motor Cover
12	880-406-001	880-382-000	Drive motor & gearbox assy.
13	<b>238-542-000</b>	<b>238-490-010</b>	<b>Gun assy.</b>
14		312-261-666	Molded Cover w/ Knob
		<b>246-419-000</b>	Knob only
15		<b>312-262-000</b>	Spindle only
		069-024-000	Wing Nut, 1/4-20 w/nylon insert
		091-053-000	Large Washer, 2.375 OD, .3 hole
		<b>330-051-000</b>	Spring, .26 ID, .375 long
16		<b>141-338-000</b>	Charger w/ Barrel Plug

## Not Shown

17	<b>KP45-40-15</b>	<b>KP1937-1</b>	<b>Gun liner</b>
18	334-228-000		Gun diffuser
19	KP11-30, KH711	43100, 334-160-300, KP2039-2B1, M15523	0.030 Contact Tips
20	KP21T-50	43480, 334-203-300, KP1942-1, M15578	Steel welding nozzle

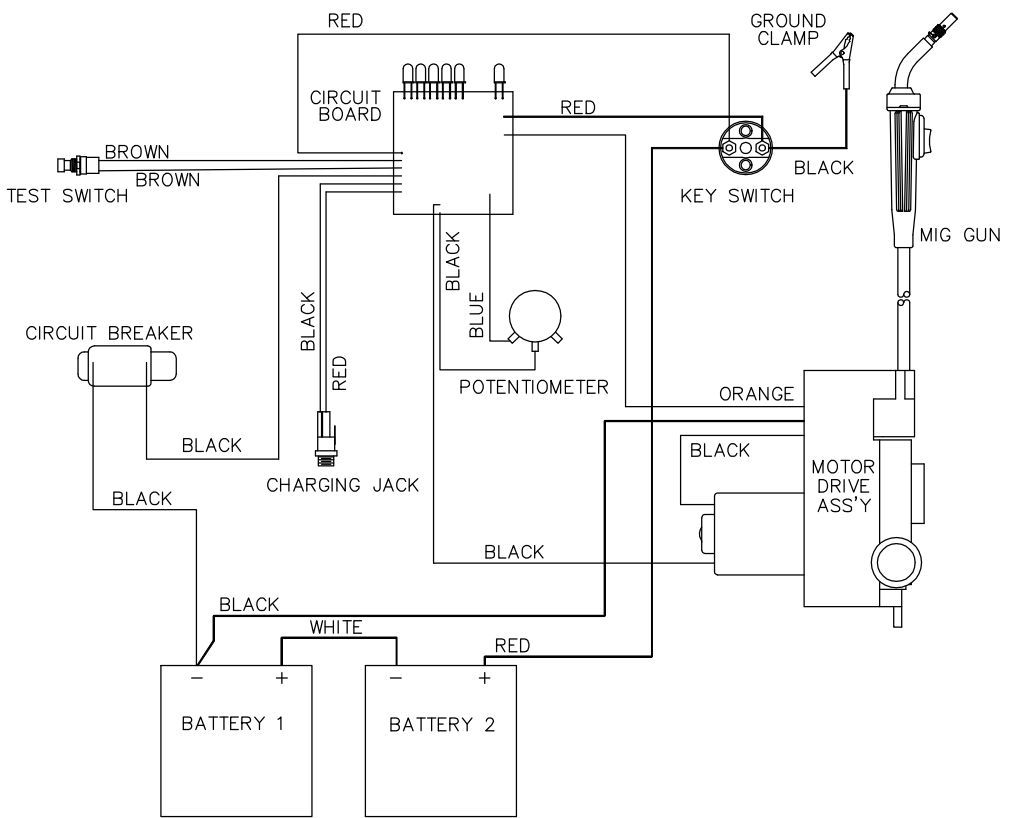
3/10/2009

Model	Power Supply	Charger	Duty Cycle at Rated Output
117-081	24Vdc	24Vdc	20%
Rated Output	Voltage Settings	Agency Listing	Max Output
130 amp	Preset	CSA	130 amps



SCHEMATIC DIAGRAM

# 117-081, 2135a, WFW2135a, M12191



WIRING DIAGRAM