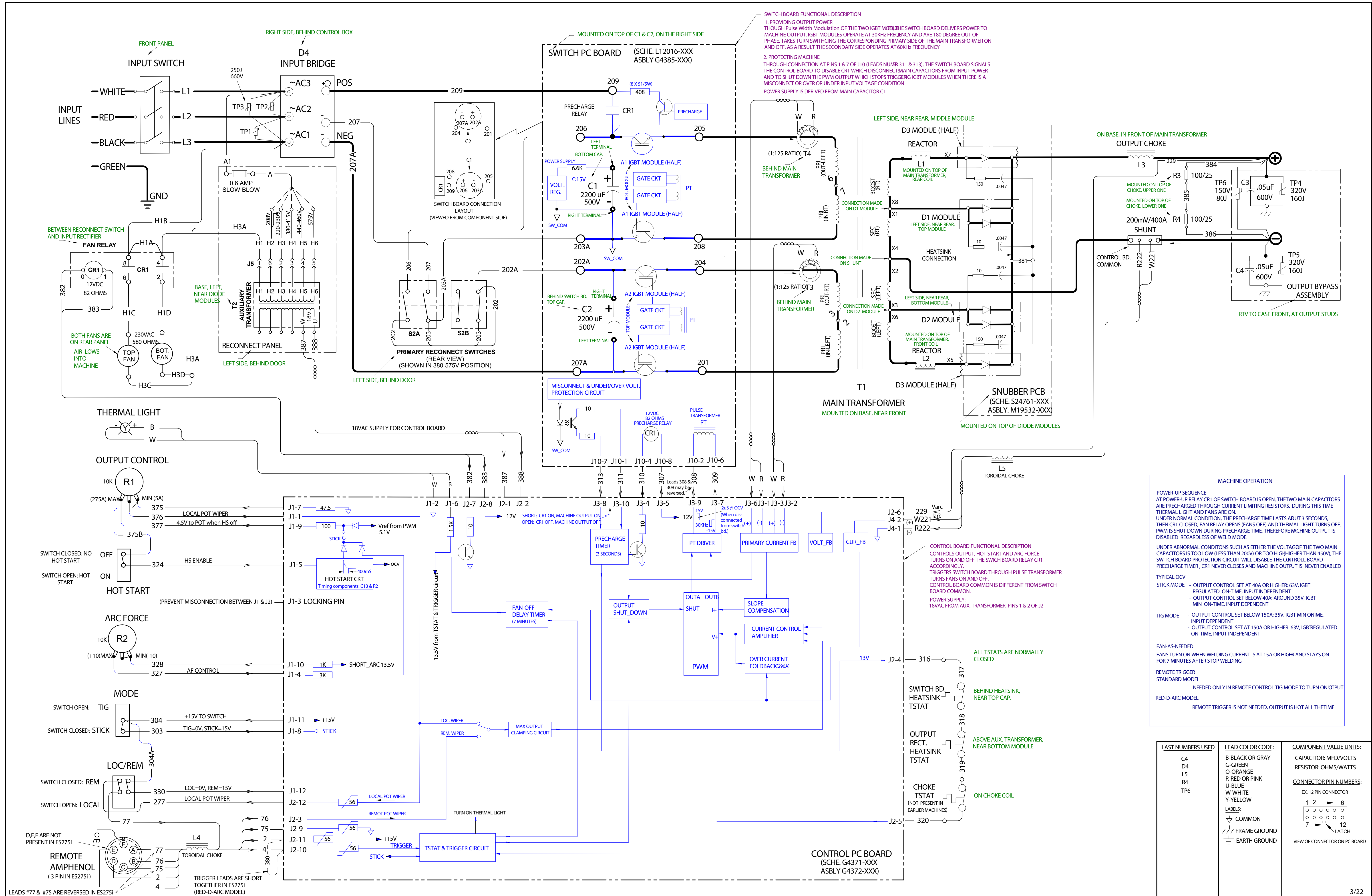


# INVERTEC V275-S WIRING DIAGRAM G4369 REV:A



LAST NUMBERS USED	LEAD COLOR CODE:	COMPONENT VALUE UNITS:
C4	B-BLACK OR GRAY	CAPACITOR: MFD/VOLTS
D4	G-GREEN	RESISTOR: OHMS/WATTS
L5	O-ORANGE	
R4	R-RED OR PINK	
TP6	U-BLUE	
	W-WHITE	
	Y-YELLOW	
	Labels:	
	↕ COMMON	
	⏏ FRAME GROUND	
	⏏ EARTH GROUND	

CONNECTOR PIN NUMBERS:
EX. 12 PIN CONNECTOR
VIEW OF CONNECTOR ON PC BOARD