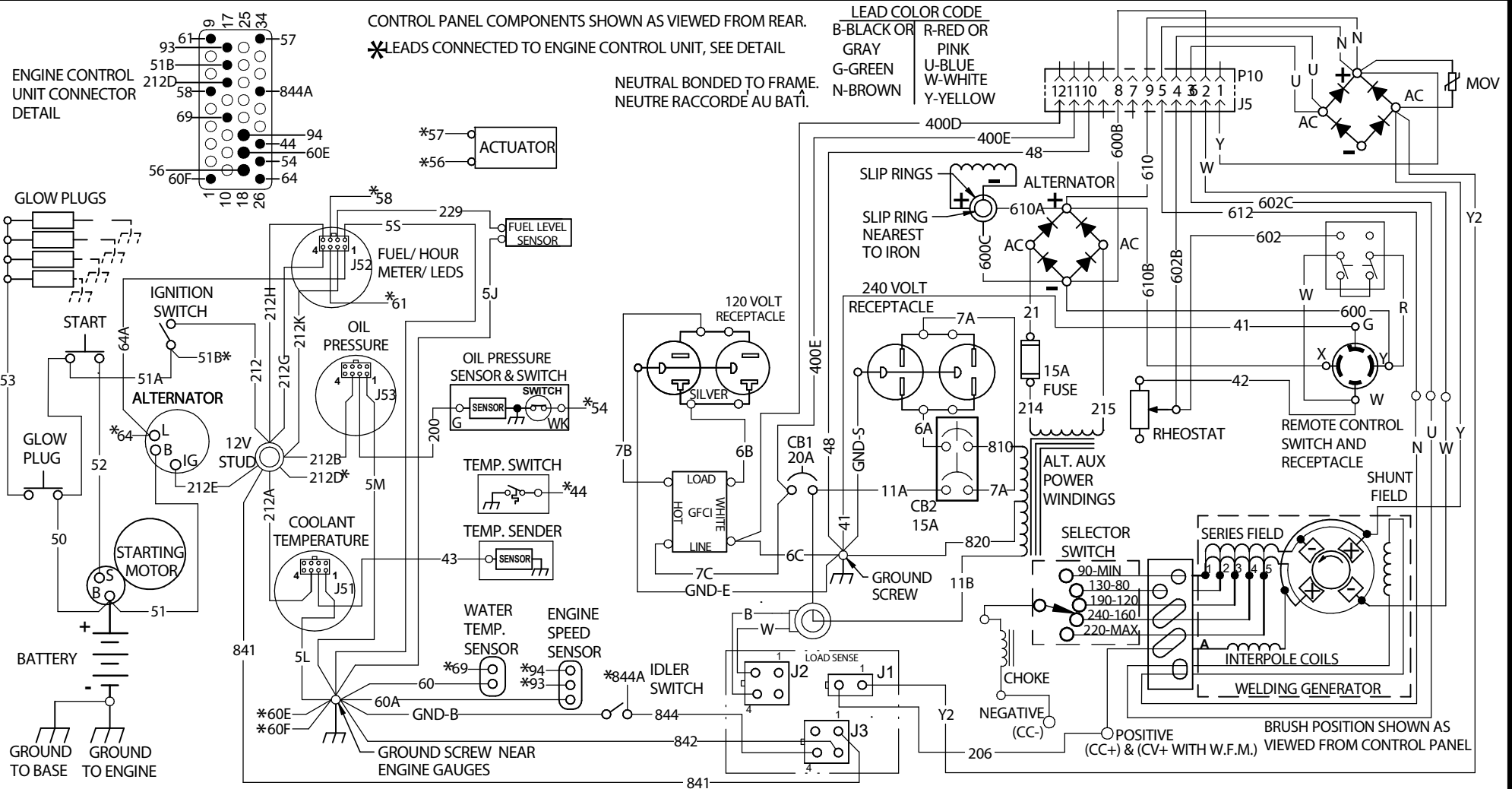
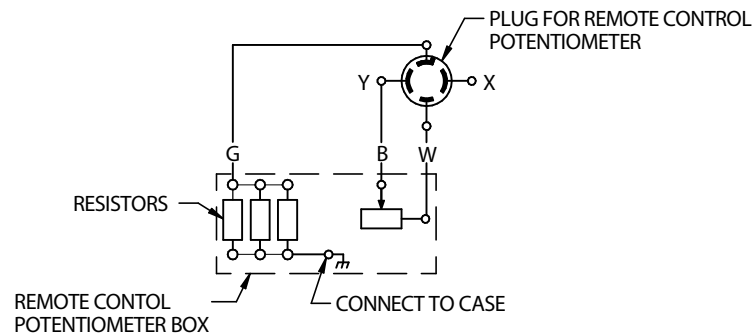


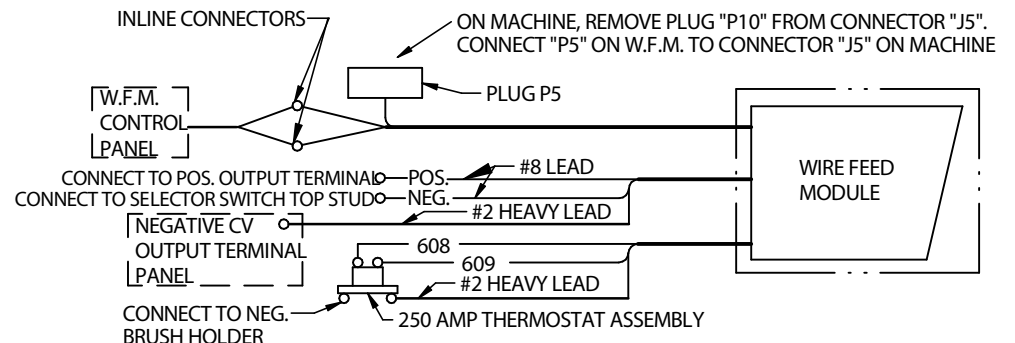
CLASSIC WIRING DIAGRAM M26161 REV: A



REMOTE CONTROL (OPTIONAL)



WIRE FEED MODULE (OPTIONAL)



MACHINE MUST NOT BE RUNNING
 WHEN MAKING THESE CONNECTIONS.