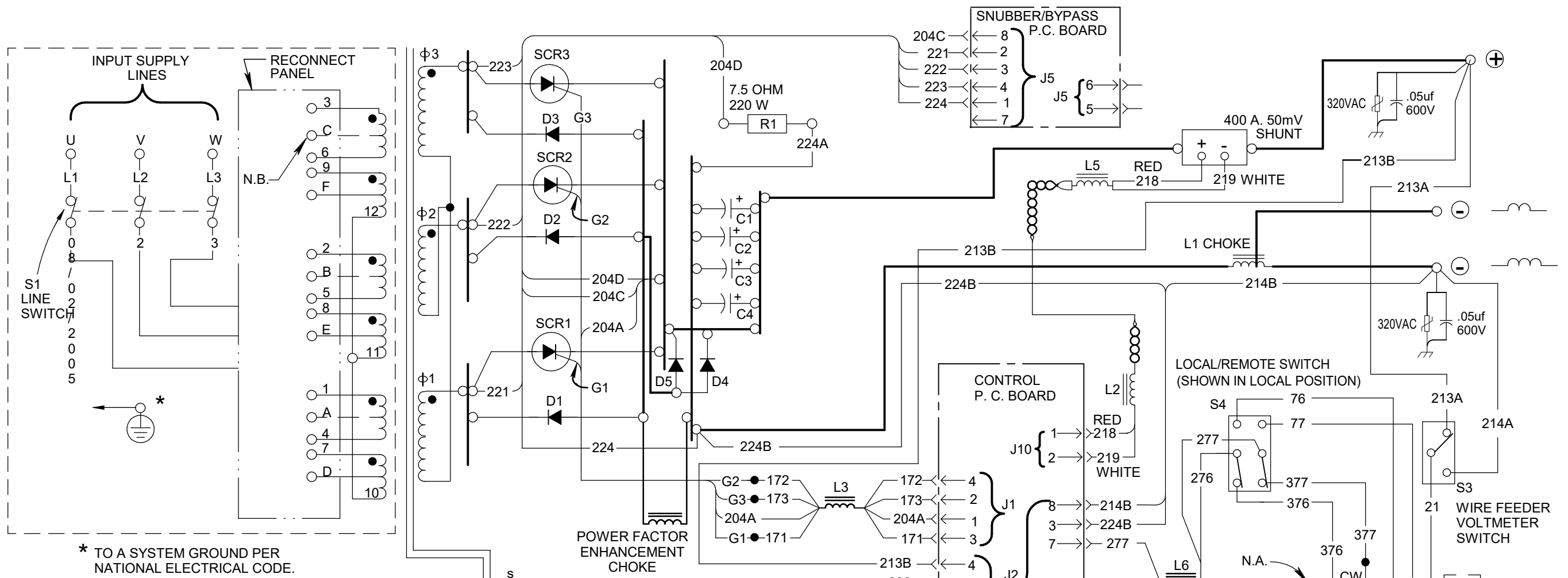
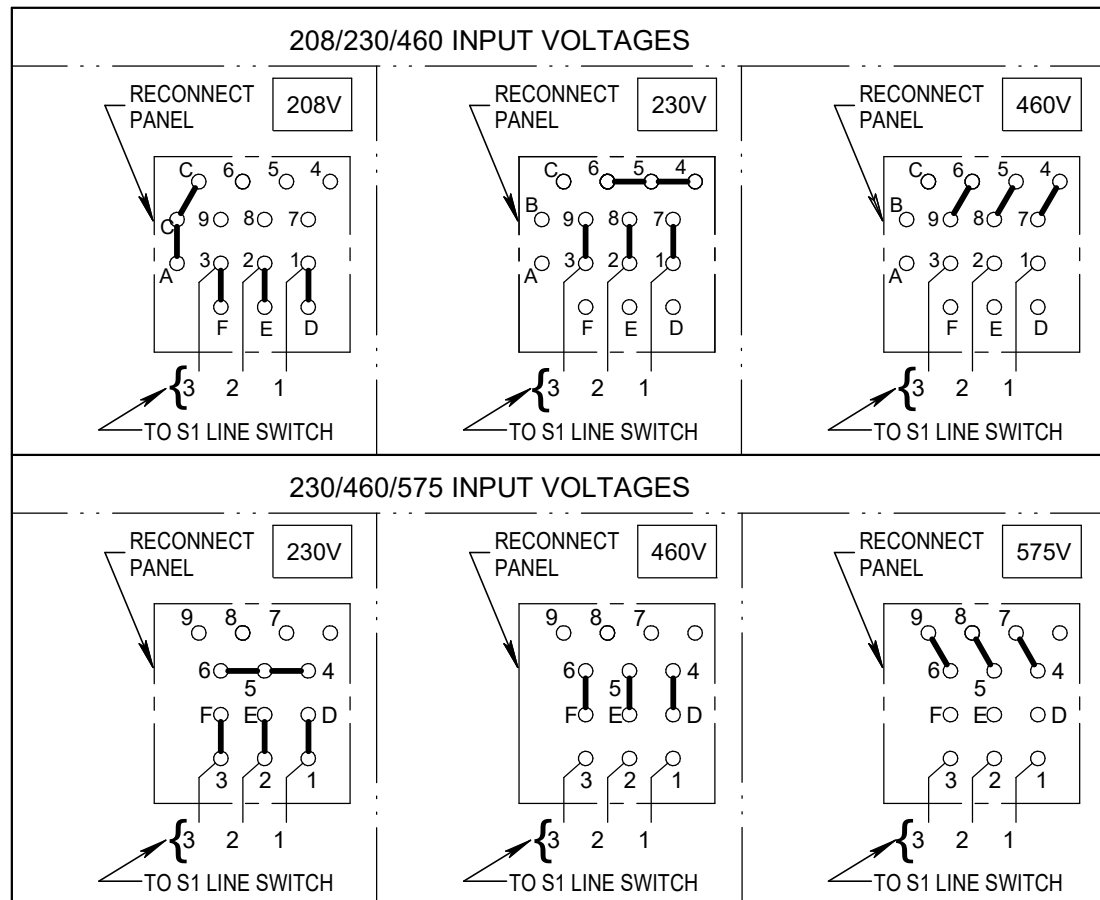


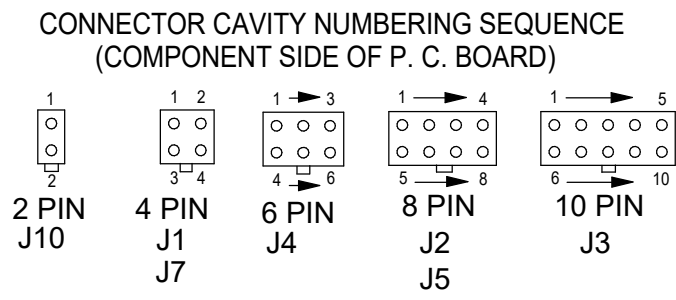
# CV-305 (60Hz) WIRING DIAGRAM L12393 REV: E



\* TO A SYSTEM GROUND PER NATIONAL ELECTRICAL CODE.



MAIN TRANSFORMER



C1-C4 31,000 MFD EACH

N.A. WIRING VIEWED FROM REAR OF POTENTIOMETER  
 N.B. TAP LEADS A, B, AND C APPEAR ON THE TOP PRIMARY COILS OF 208/230/460V MACHINES ONLY.

CLEVELAND, OHIO U.S.A.