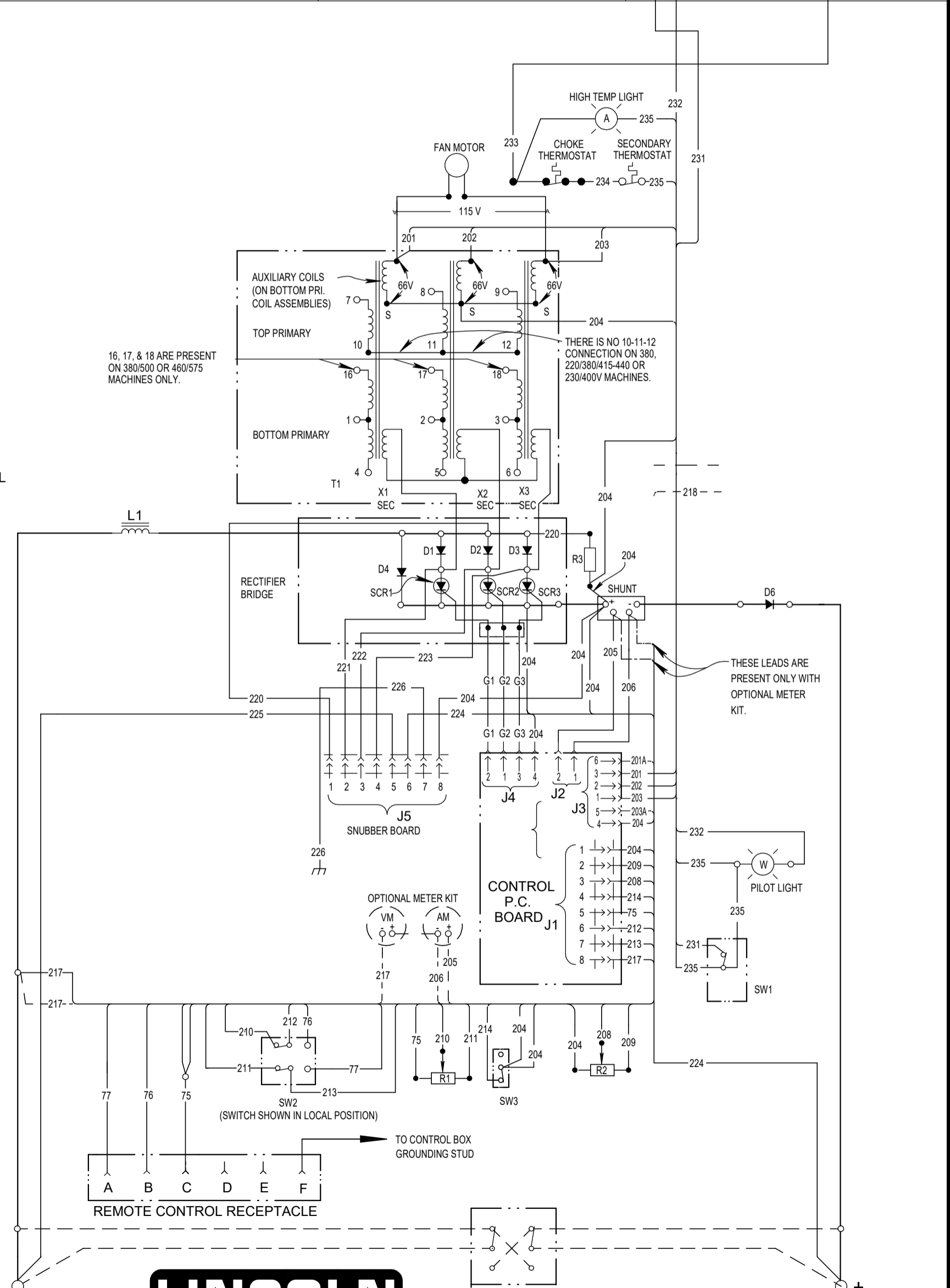
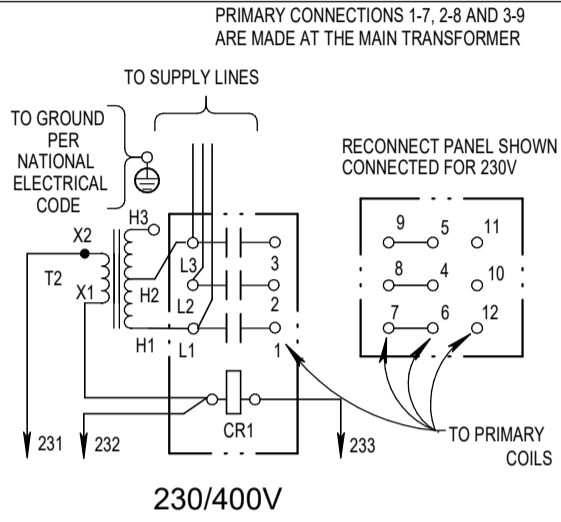
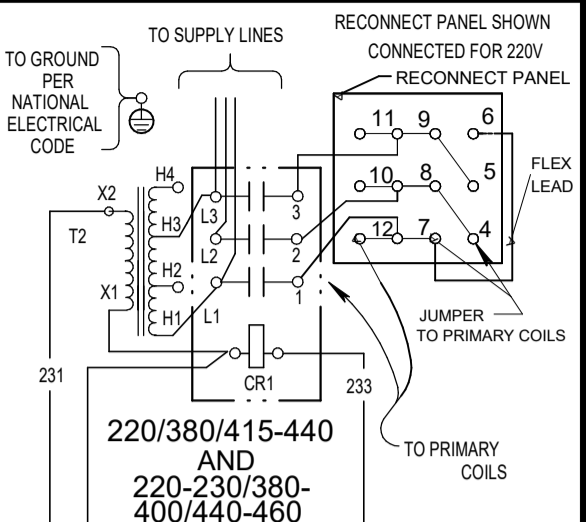
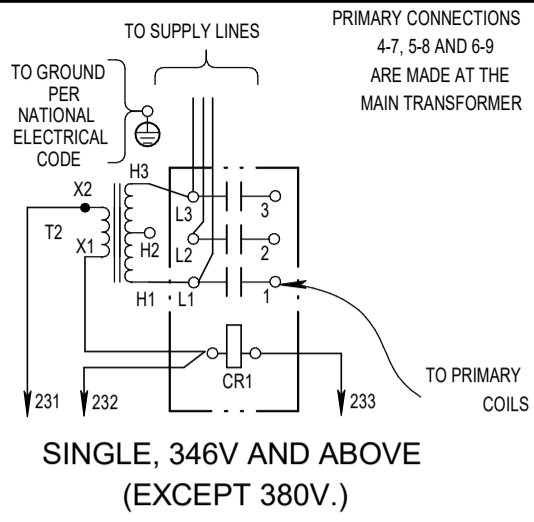
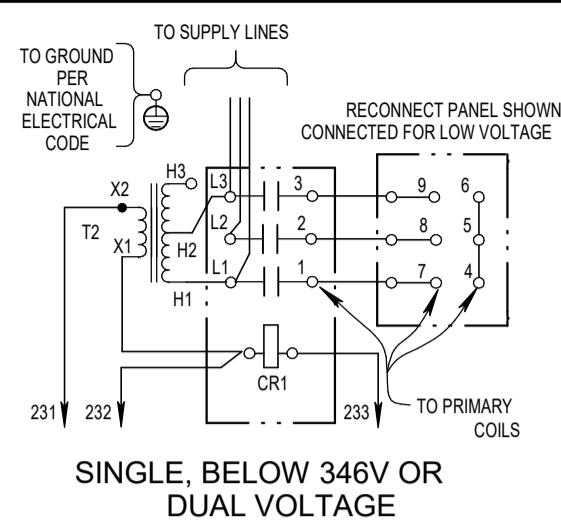
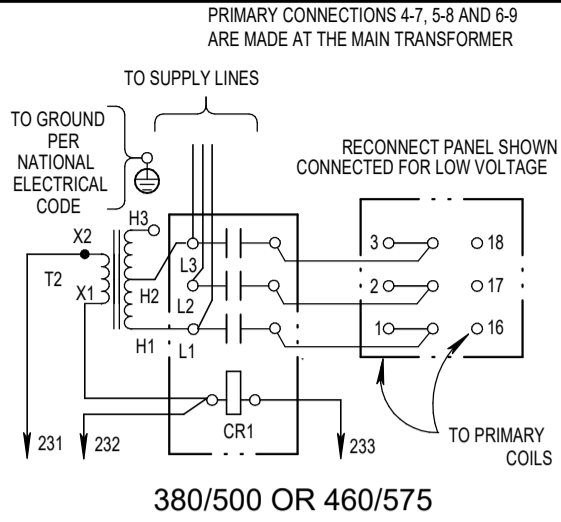


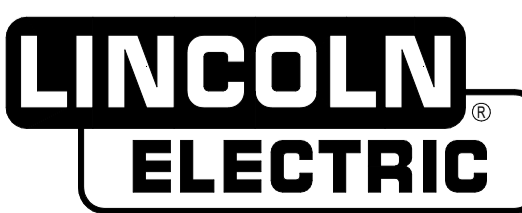
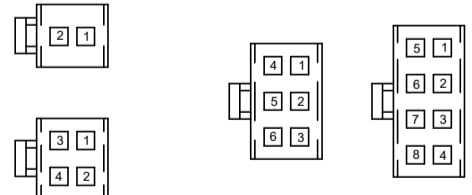
R3R-400 \$ R3R-500 I WIRING DIAGRAM L9376-1 REV-C



LEGEND

- L1 DC OUTPUT FILTER
- R1 10K OHM POT., OUTPUT CONTROL
- R2 10K OHM POT., ARC FORCE CONTROL
- R3 40 OHM
- SW1 POWER SWITCH
- SW2 MACHINE/REMOTE SWITCH
- SW3 DIAL SELECTOR SWITCH
- SW4 OPTIONAL POLARITY SWITCH (60 Hz ONLY)
- SCR1-D1 } SCR AND DIODE
- SCR2-D2 } RECTIFIER BRIDGE
- SCR3-D3 }
- D4 }
- T1 MAIN TRANSFORMER
- T2 CONTROL TRANSFORMER
- CR1 INPUT STARTER
- COLORS
- A = AMBER
- G = GREEN
- W = WHITE
- Y = YELLOW

(DASHED ITEMS ON WIRING DIAGRAM ARE OPTIONAL)



CLEVELAND, OHIO U.S.A.