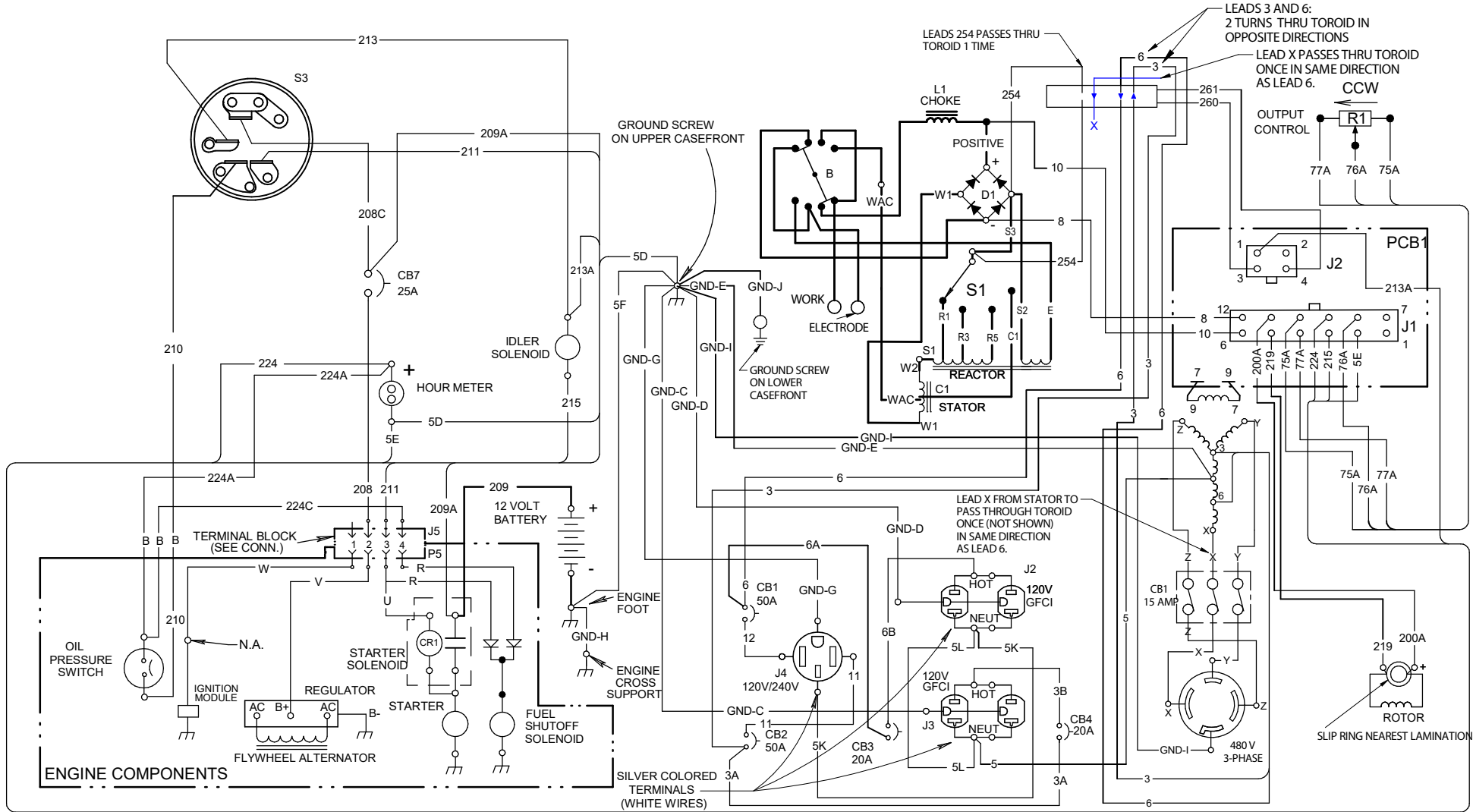


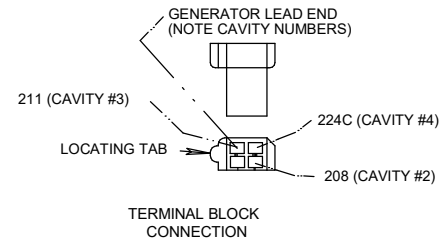
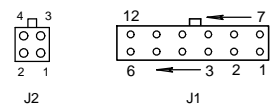
RANGER 3 PHASE WIRING DIAGRAM M20315 REV: C



N.A. GROUNDING THIS TERMINAL STOPS THE ENGINE.

LEAD COLOR CODE:
 B = BLACK OR GRAY U = BLUE
 R = RED OR PINK V = VIOLET
 W = WHITE

CONNECTOR PIN NUMBERS:



ALL CASE FRONT COMPONENTS SHOWN VIEWED FROM REAR.



CLEVELAND, OHIO U.S.A.