

# MODEL MPHf

## MEDIUM PRESSURE HIGH FLOW REGULATOR



Model shown:  
REG, MPHf-005-10-PN-A-1



Model shown:  
REG, MPHf-010-20-PP-A-1

### KEY FEATURES

- Inlet round filter (filtering impurities up to max.~150µm)
- **Ability to replace / clean balanced seat & filter without dismantling regulator from installation**
- Left / Right inlet configurations allowing different mounting orientation
- 1/2" NPT threaded bonnet
- Fully balanced seat design: maintains constant high flow
- Large seat and diaphragm area to provide high capacity and accurate flow control with low droop
- 4 gas port brass body: 1 inlet with 180° outlet matched NPT and two 1/4" FNPT ports on the downstream side
- Works with environment temperature -40°C to +74°C (from -40°F to +165,2°F)
- Brass bonnet as standard
- For use with inert gases and Oxygen
- Compliance with new ISO 22073-1
- Maximum inlet pressure 60 bar (870 psi)
- 100% Factory tested

### Applications »

Medium Pressure High Flow regulator is engineered for superior performance in the most demanding applications. With a robust 40 bar (550 psi) high-pressure delivery and a precision threaded bonnet (for 1/2" only), it offers unparalleled stability and control.

The integrated internal debris filter ensures clean operation, minimizing maintenance needs and prolonging the life of your equipment. Designed with high flow capabilities and durability, the MPHf is the ideal choice for a wide range of industrial gas systems.

### MATERIALS

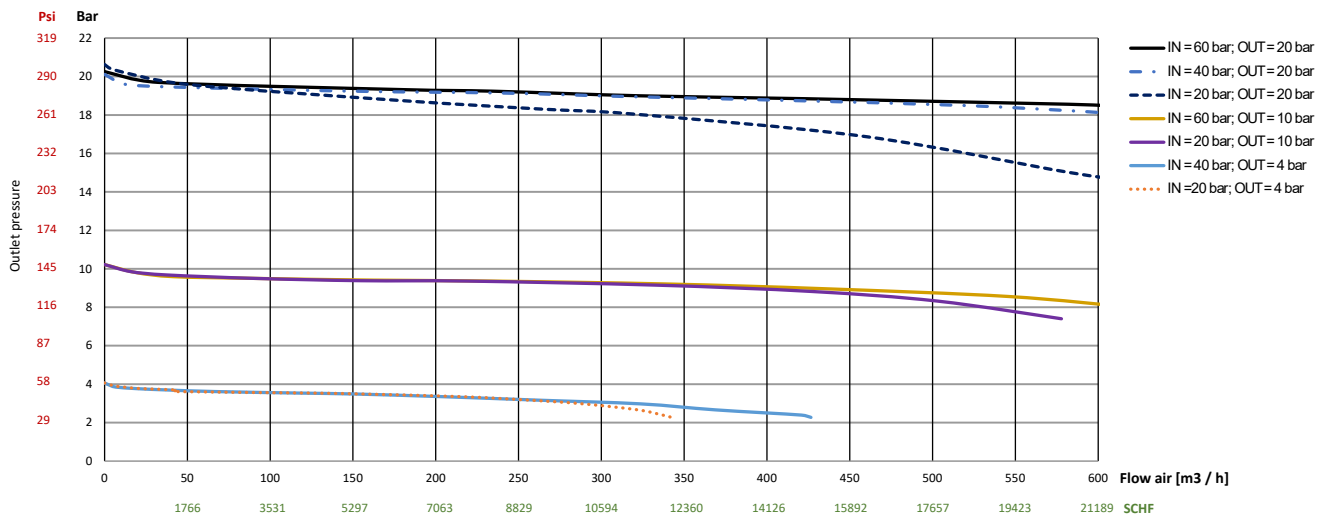
Body	brass
Bonnet	brass
Diaphragm (regulator)	NBR and optional SS

## TECHNICAL DATA

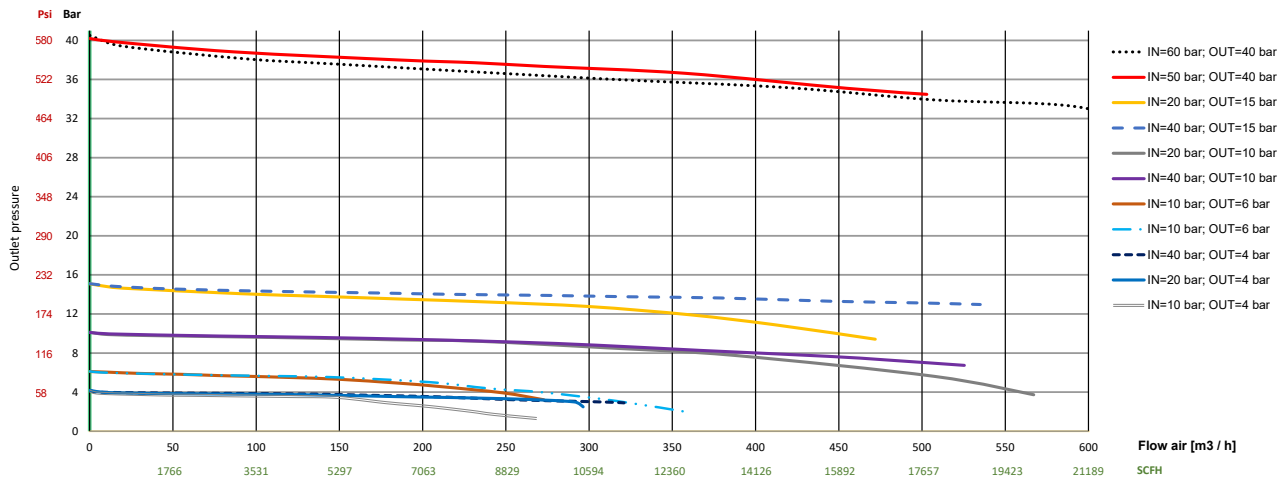
Model no.	Connection size	Max. inlet pressure	Delivery pressure	Max. [air] flow	Delivery pressure gauge
REG,MPHF-005-4	1/2"	60 bar (870 psi)	4 bar (58 psi)	300 m3/h (10500 SCFH)	0 – 6 bar (87 psi)
REG,MPHF-005-10	1/2"	60 bar (870 psi)	10 bar (145 psi)	550 m3/h (19000 SCFH)	0 – 16 bar (232 psi)
REG,MPHF-005-15	1/2"	60 bar (870 psi)	15 bar (217 psi)	>600 m3/h (>21000 SCFH)	0 – 25 bar (363 psi)
REG,MPHF-005-25	1/2"	60 bar (870 psi)	25 bar (363 psi)	>600 m3/h (>21000 SCFH)	0 – 40 bar (580 psi)
REG,MPHF-005-40	1/2"	60 bar (870 psi)	40 bar (580 psi)	>600 m3/h (>21000 SCFH)	0 – 60 bar (870 psi)
REG,MPHF-010-4	1"	60 bar (870 psi)	4 bar (58 psi)	300 m3/h (10500 SCFH)	0 – 6 bar (87 psi)
REG,MPHF-010-10	1"	60 bar (870 psi)	10 bar (145 psi)	550 m3/h (19000 SCFH)	0 – 16 bar (232 psi)
REG,MPHF-010-20	1"	60 bar (870 psi)	20 bar (290 psi)	>600 m3/h (>21000 SCFH)	0 – 40 bar (580 psi)

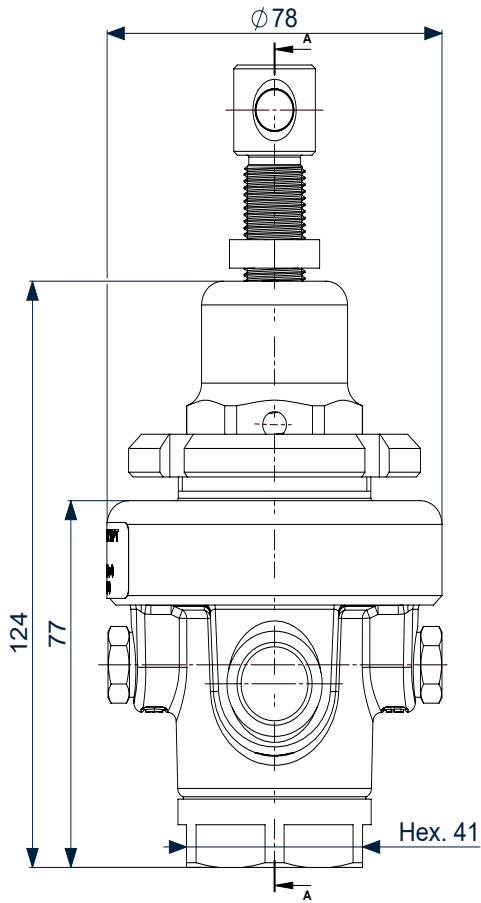
## FLOW CHARTS

### ALL MPHF 1" NPT

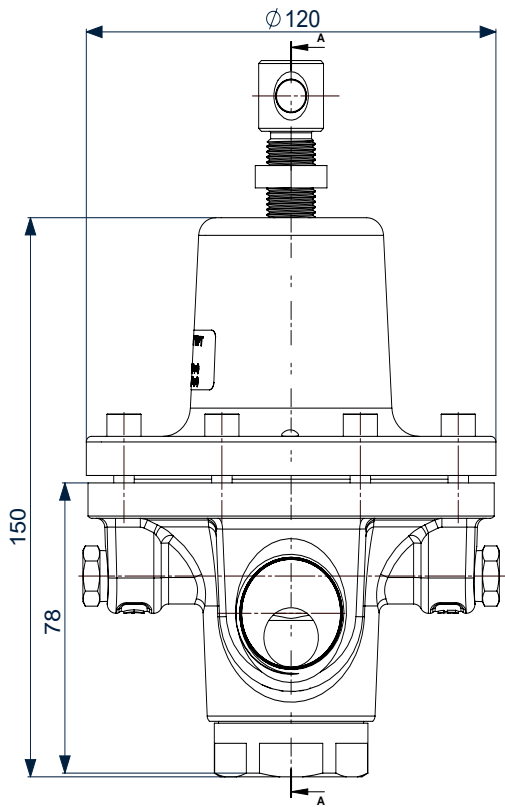
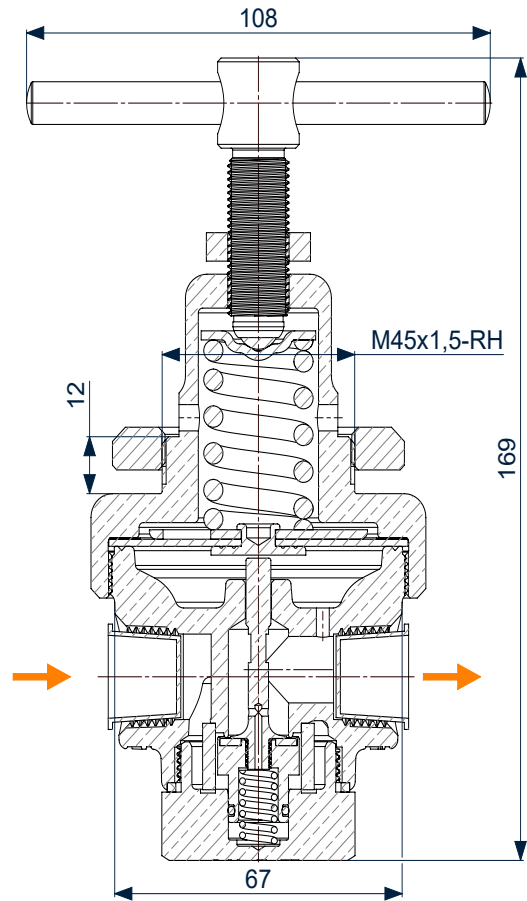


### ALL MPHF HARRIS 1/2" NPT

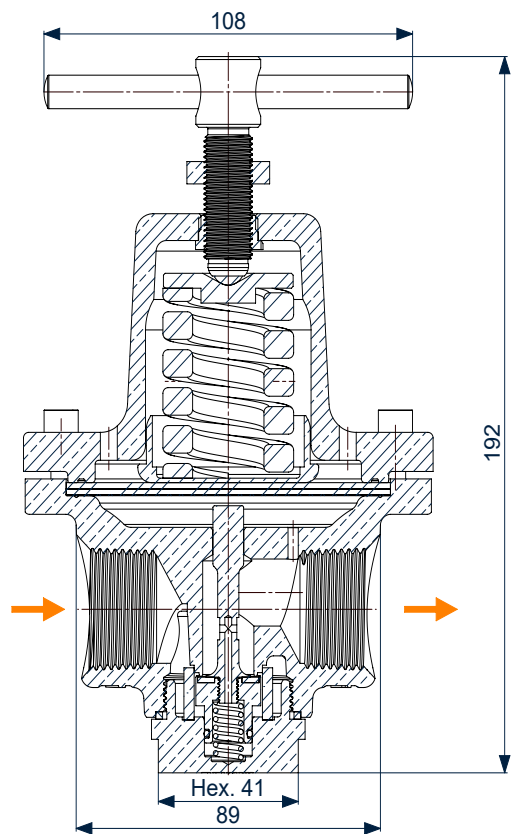




Model shown: MPHF 1/2"



Model shown: MPHF 1"



## PRODUCT CONFIGURATION

REG, MPH					
	CONNECTION SIZE				
	005	1/2 inch			
	010	1 inch			
		DELIVERY PRESSURE			
		4	4 bar		
		10	10 bar		
		15	15 bar		
		20	20 bar		
		25	25 bar (1/2 inch only)		
		40	40 bar (1/2 inch only)		
		SEALS/DIAPHRAGM			
		PN	PUR / NITRILE		
		PP	PUR / PTFE		
		PS	PUR / STAINLESS STEEL		
		OPTIONS (multiple choice available)			
		A	no gauge		
		B	with gauge		
		H	hex adjustment screw		
		P	panel mount		
		FILTER MATERIAL			
		1	AISI 316		
		2	AISI 304		
		3	bronze		
		4	monel		
REG,MPHF	005	10	PN	AHP	1

When placing an order, use the code generated according to the table.

## NOTES

### CUSTOMER ASSISTANCE POLICY

The business of Lincoln Electric is manufacturing and selling high quality welding equipment, automated welding systems, consumables, and cutting equipment. Our challenge is to meet the needs of our customers, who are experts in their fields, and to exceed their expectations. On occasion, purchasers may ask Lincoln Electric for information or technical information about their use of our products. Our employees respond to inquiries to the best of their ability based on information and specifications provided to them by the customers and the knowledge they may have concerning the application. Our employees, however, are not in a position to verify the information provided or to evaluate the engineering requirements for the particular weldment, or to provide engineering advice in relation to a specific situation. Accordingly, Lincoln Electric does not warrant or guarantee or assume any liability with respect to such information or communications. Moreover, the provision of such information or technical information does not create, expand, or alter any warranty on our products. Any express or implied warranty that might arise from the information or technical information, including any implied warranty of merchantability or any warranty of fitness for any customers' particular purpose or any other equivalent or similar warranty is specifically disclaimed.

Lincoln Electric is a responsive manufacturer, but the definition of specifications, and the selection and use of specific products sold by Lincoln Electric is solely within the control of, and remains the sole responsibility of the customer. Many variables beyond the control of Lincoln Electric affect the results obtained in applying these types of fabrication methods and service requirements.



Contact Harris for pricing and custom configurations

+48 74 646 23 52

marketingharris@lincolnelectric.eu

Harris Products Group  
ul. Strefowa 8, 58-200 Dzierzoniow, Poland  
www.harrisproductsgroup.eu