

WIRING DIAGRAM M22541 REV: B

KUBOTA 3+3 WIRING DIAGRAM

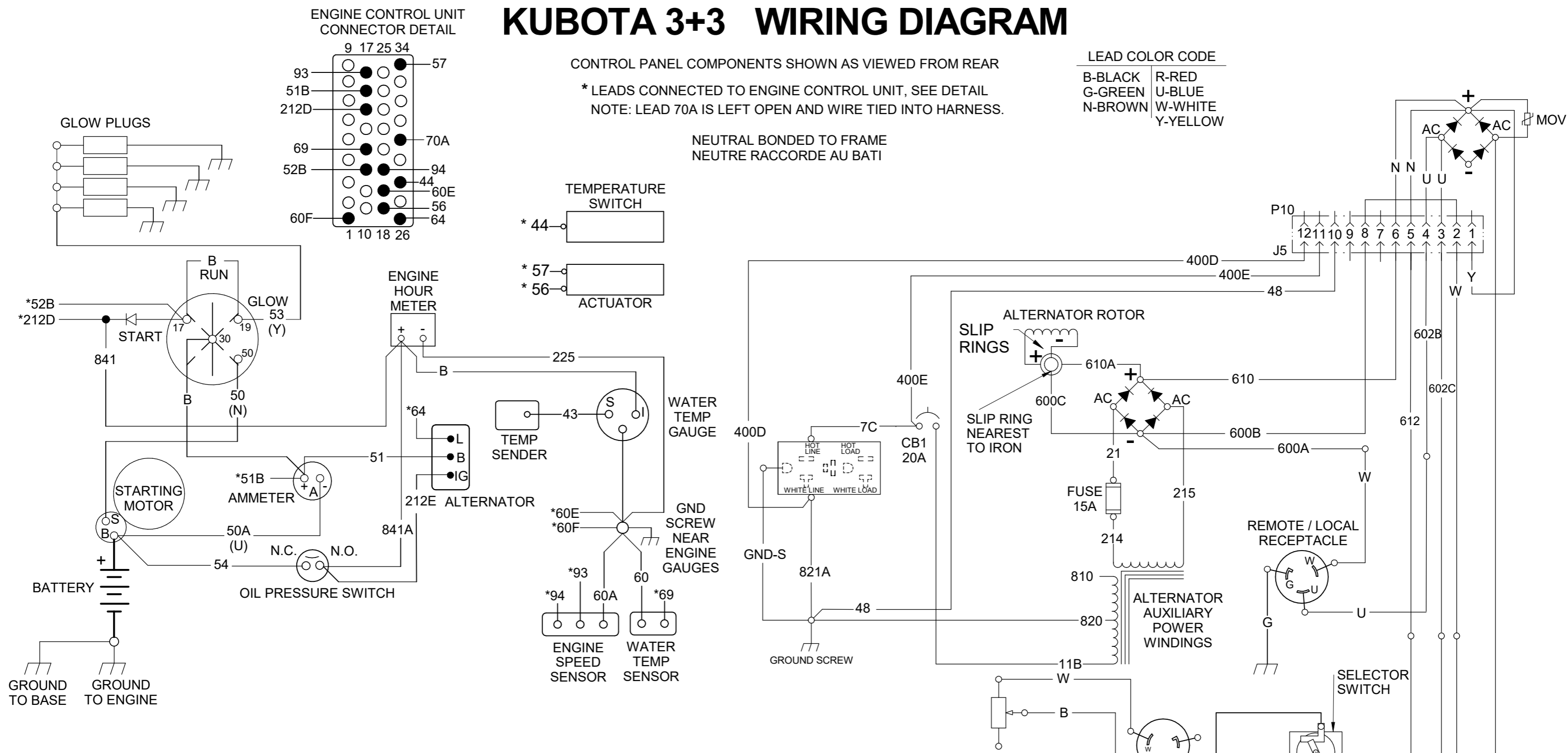
CONTROL PANEL COMPONENTS SHOWN AS VIEWED FROM REAR

* LEADS CONNECTED TO ENGINE CONTROL UNIT, SEE DETAIL
NOTE: LEAD 70A IS LEFT OPEN AND WIRE TIED INTO HARNESS.

LEAD COLOR CODE

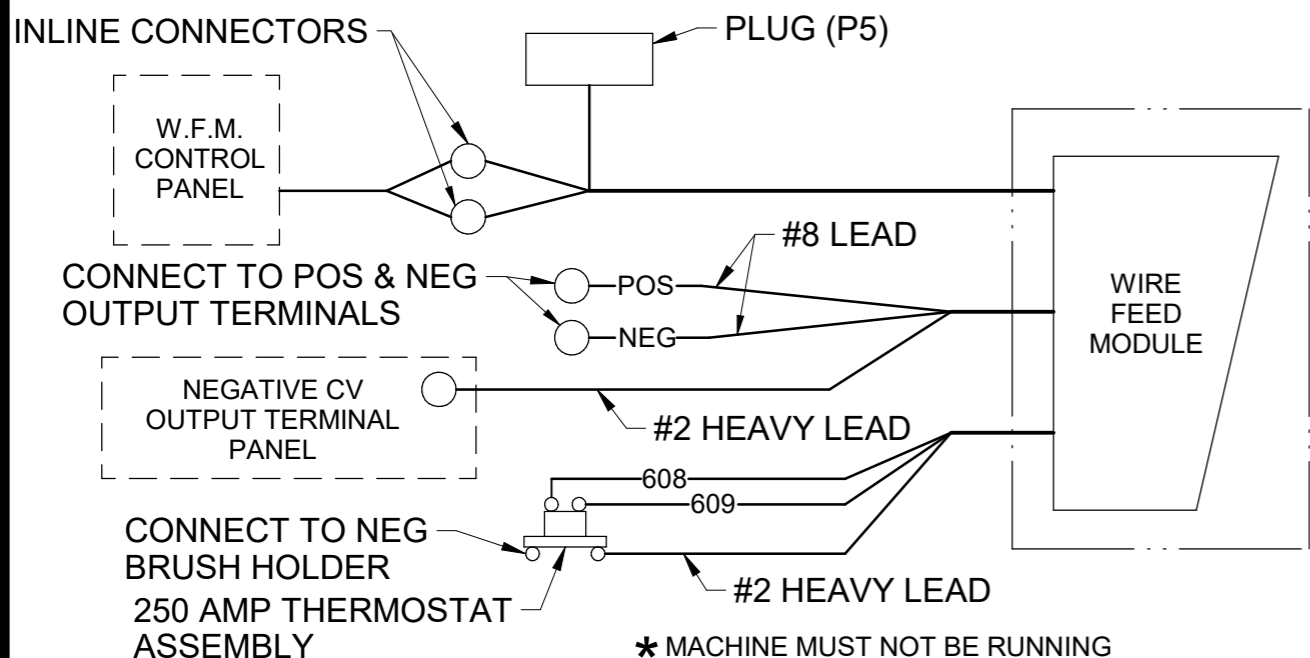
B-BLACK	R-RED
G-GREEN	U-BLUE
N-BROWN	W-WHITE
	Y-YELLOW

NEUTRAL BONDED TO FRAME
NEUTRE RACCORDE AU BATI



WIRE FEED MODULE (OPTIONAL)

ON MACHINE, REMOVE PLUG "P10" FROM CONNECTOR "J5"
CONNECT PLUG "P5" ON W.F.M. TO CONNECTOR "J5" ON MACHINE



* MACHINE MUST NOT BE RUNNING
WHEN MAKING THESE CONNECTIONS.