

# COOL ARC® 27

---

Spare Parts .....	1
Figure A. Machine Assembly .....	2
Electrical Schematic .....	3
CODE 50578 .....	3



# Spare Parts

SP50578 REV03  
10/23

ASSEMBLY PAGE NAME			Machine Assembly	Miscellaneous Items				
<b>CODE NO.:</b>	<b>K NO.:</b>	<b>FIGURE NO.:</b>	<b>A</b>	<b>-</b>				
50578	K14334-1	COOL ARC® 27	1	1				

\*items highlighted in bold are recommended spare parts

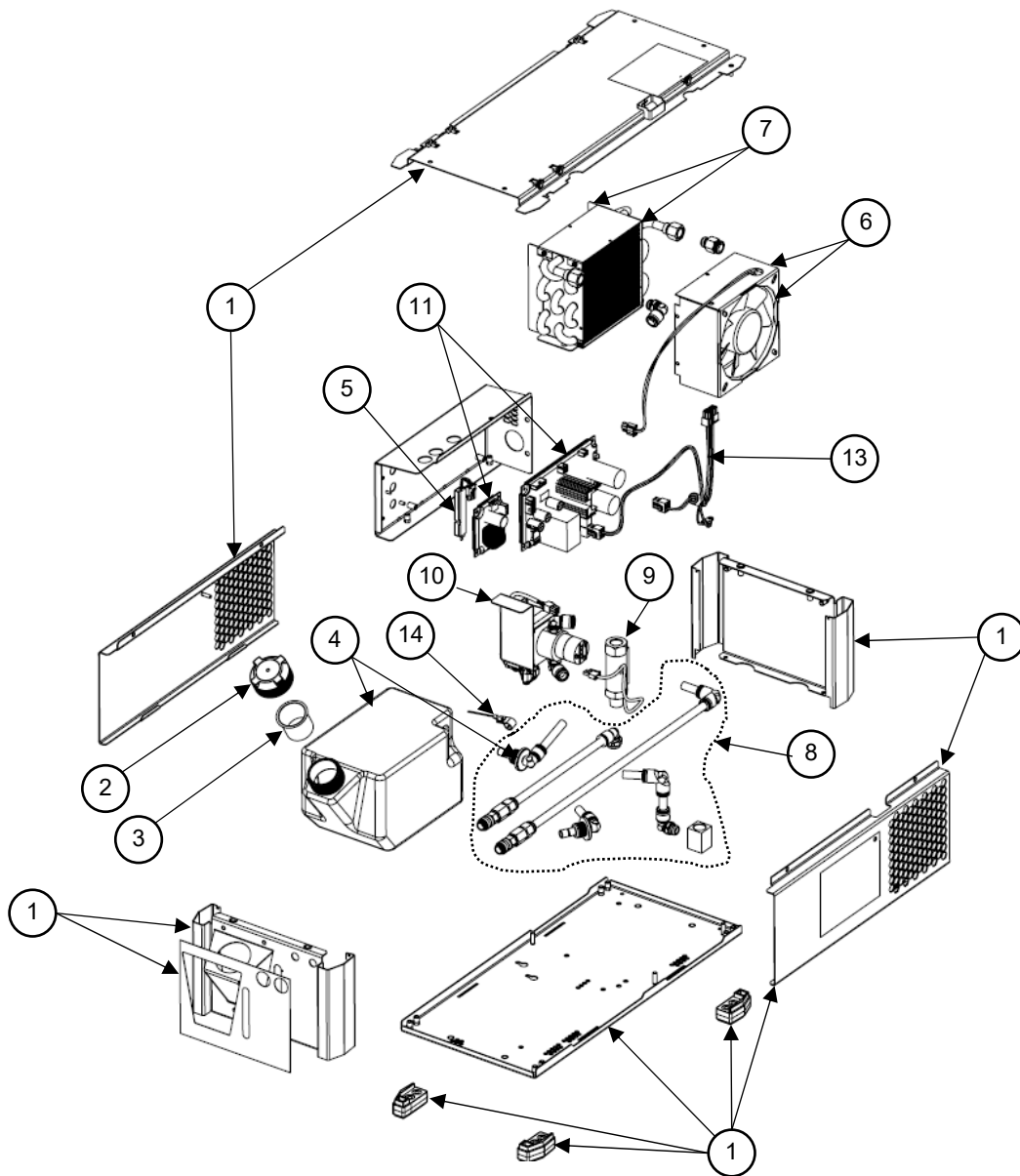


Figure A

**Figure A. Machine Assembly**

Item	Description	Part Number	QTY	1	2	3	4	5	6	7
1	CASE AND METAL PARTS includes:	T-8040-142-1R	1	X						
	FOOT LEFT CASE B		2							
	FOOT RIGHT CASE B		2							
	LABEL WARNING		1							
	REAR ASSEMBLY		1							
	BOTTOM ASSEMBLY		1							
	FRONT ASSEMBLY		1							
	LEFT PANEL		1							
	RIGHT PANEL		1							
	COVER		1							
	MUSHROOM BRACKET		4							
2	CAP	1364-161-009R	1	X						
3	FILTER	T-0000-001-1R	1	X						
4	TANK	R-0010-813-1R	1	X						
5	LED MODULE	T-5041-001-1R	1	X						
6	FAN KIT includes:		1	X						
	FAN	T-8040-143-1R	1							
	INLET CONVOYER		1							
7	EXCHANGER includes:	T-8040-144-1R	1	X						
	THERMAL EXCHANGER		1							
	OUTLET CONVOYER		2							
8	COOLIN SYSTEM includes:	T-8040-145-1R	1	X						
	GASKET		2							
	MALE STUD ELBOW		2							
	STUD ELBOW		2							
	COOLARC HOSES CUTTING		1							
	MALE STUD ELBOW D10 G3-8		1							
	MALE STUD ELBOW D10 G1/4		1							
	ELBOW HOLDER G3-8F – G1-4F		1							
9	<b>FLOW SENSOR</b>	<b>T-8040-003-1R</b>	1	X						
10	<b>PUMP ASSEMBLY</b>	<b>R-8240-044-1R</b>	1	X						
11	<b>ELECTRONIC BOARDS includes:</b>	<b>T-8040-146-1R</b>	1	X						
	APS BOARD									
	AUXILARY BOARD									
12	HARNESS	R-5241-259-1R	1	X						
13	THERMAL SENSOR includes:	T-8040-147-1R	1	X						
	NTC									
	BRACKET FOR NTC									

# Electrical Schematic

CODE 50578

