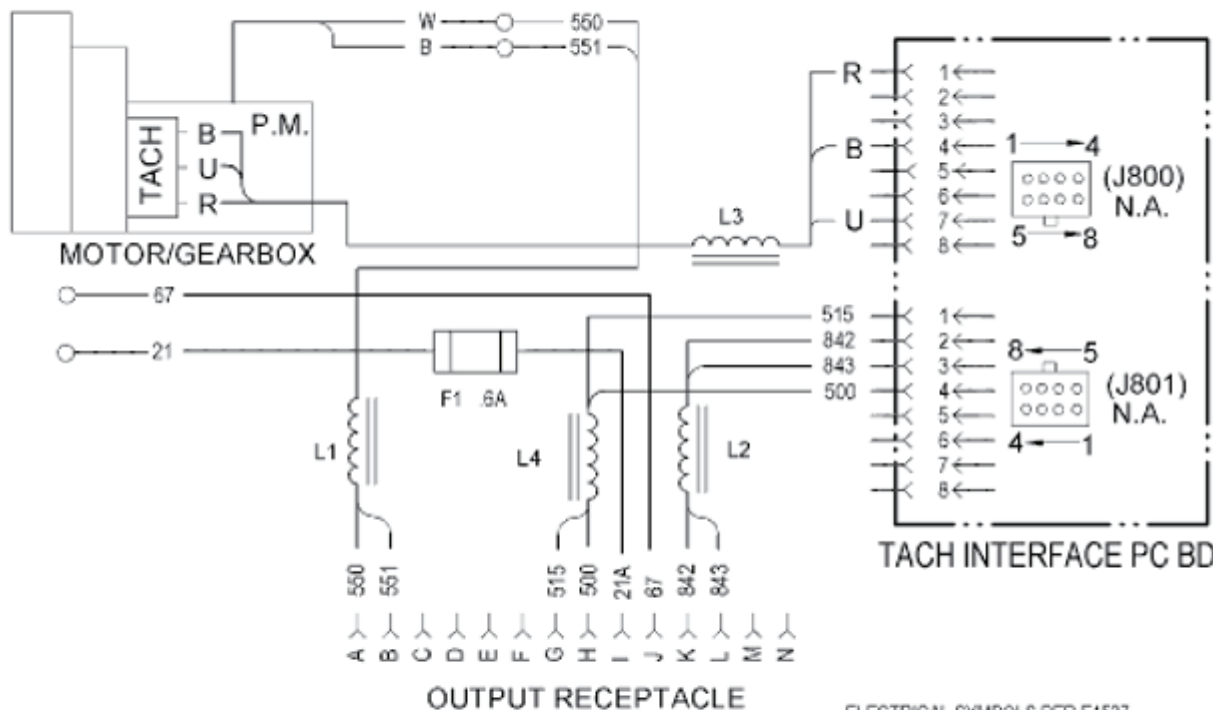


# MAXsa 22 WIRING DIAGRAM M22271 REV: A

## WIRING DIAGRAM MAXsa 22



### NOTES:

- N.A. CAVITY NUMBERING SEQUENCE AS VIEWED FROM COMPONENT SIDE OF PC BOARD.  
 N.B. CAVITY NUMBERING SEQUENCE AS VIEWED FROM LEAD SIDE OF CONNECTOR.

ELECTRICAL SYMBOLS PER E1537  
 LEAD COLOR CODING  
 B - BLACK  
 R - RED  
 U - BLUE  
 W - WHITE