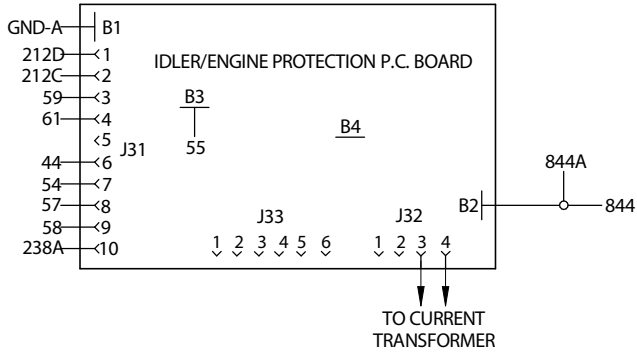


# SAE 400 WIRING DIAGRAM M21147 REV: A

CONTROL PANEL COMPONENTS SHOWN AS VIEWED FROM REAR.  
 \*LEADS CONNECTED TO ENGINE IDLER/ENGINE P.C. BOARD, SEE DETAIL

NEUTRAL BONDED TO FRAME.  
 NEUTRE RACCORDE AU BATI.



LEAD COLOR CODE

B-BLACK OR GREY	R-RED OR PINK
G-GREEN	U-BLUE
N-BROWN	W-WHITE

